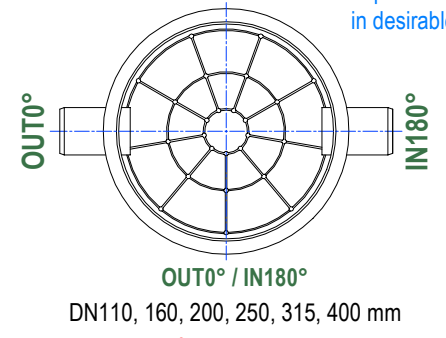
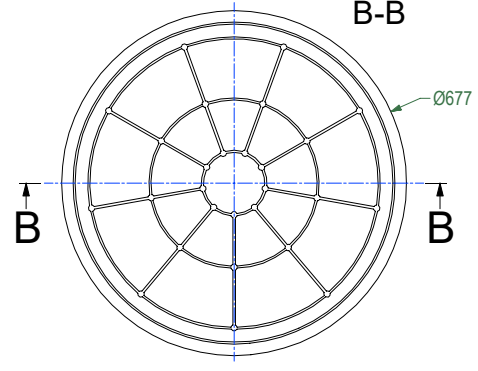
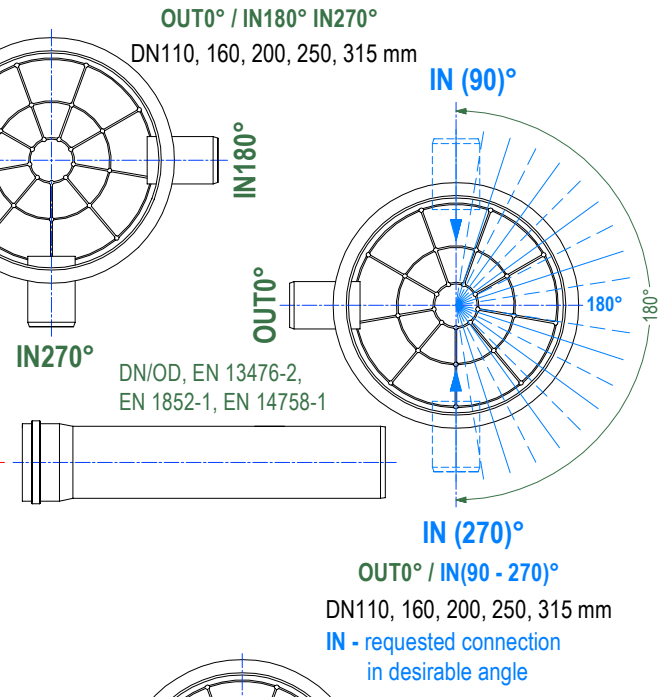
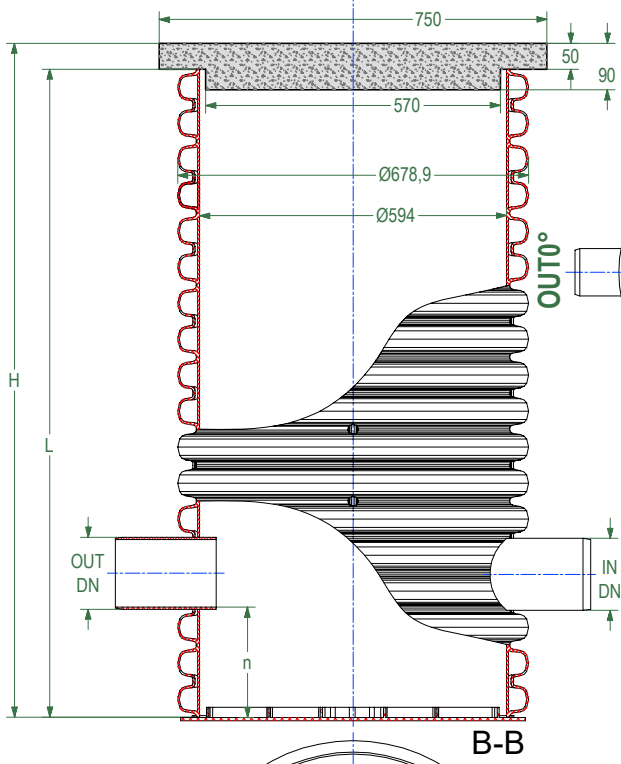
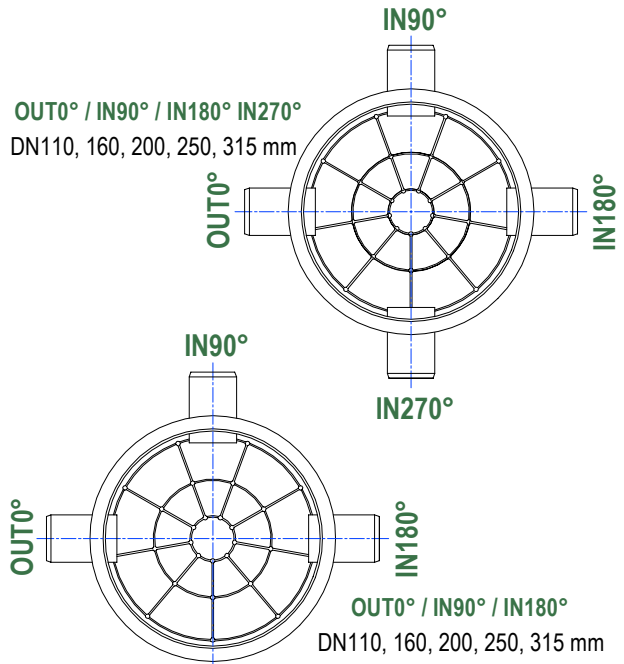
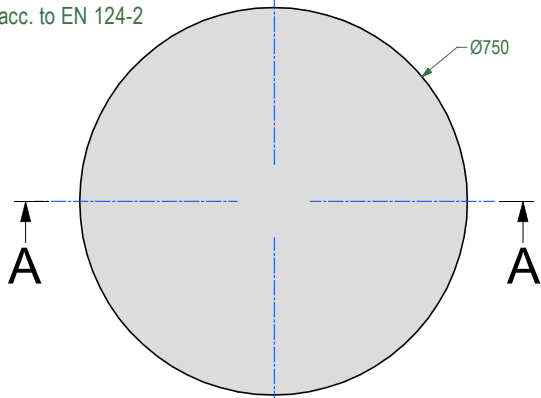


DRAWING No.:	VERSION	REVISION	REVISION STATUS
CID.600	EN	1	ACTUAL

# CID.600.SM

Cover class A15 or B125  
acc. to EN 124-2



*This drawing is not suitable for the design and construction of other objects without the consent of SIA "EVOPIPES"*



SIA "EVOPIPES"  
Langervaldes str. 2a, Jelgava, LV-3002, Latvia  
Company reg. No.: 50003728871  
Phone: +371 63094300  
E-mail: [info@evopipes.lv](mailto:info@evopipes.lv)  
Website: [www.evopipes.lv](http://www.evopipes.lv)

FILE NAME:  
CID.600

SHEET: 1 OF 1

SHEET FORMAT: @ A4

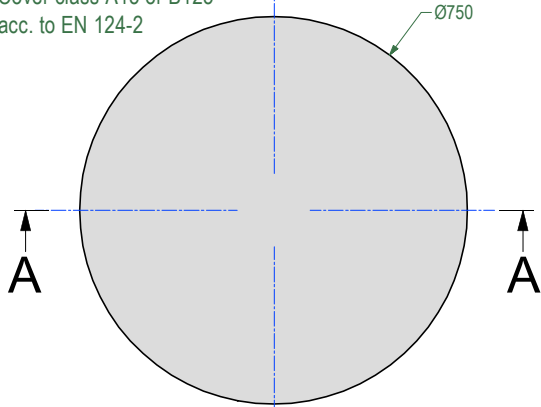
SCALE:  
WITHOUT SCALE

STAGE:  
STANDARD DRAWING

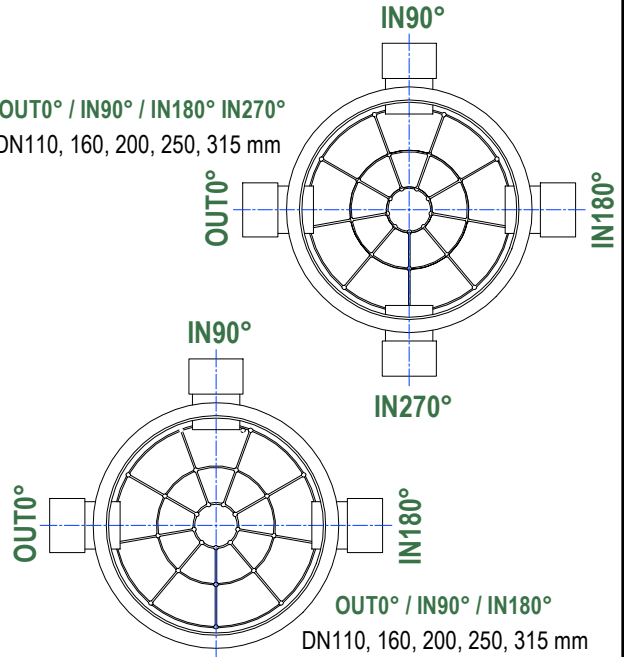
DRAWING No.:	VERSION	REVISION	REVISION STATUS
CID.600	EN	1	ACTUAL

# CID.600.PR

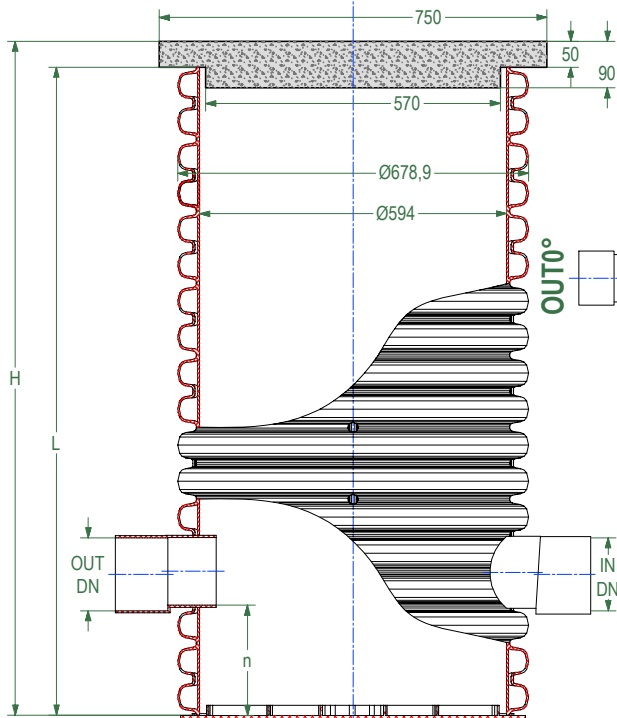
Cover class A15 or B125  
acc. to EN 124-2



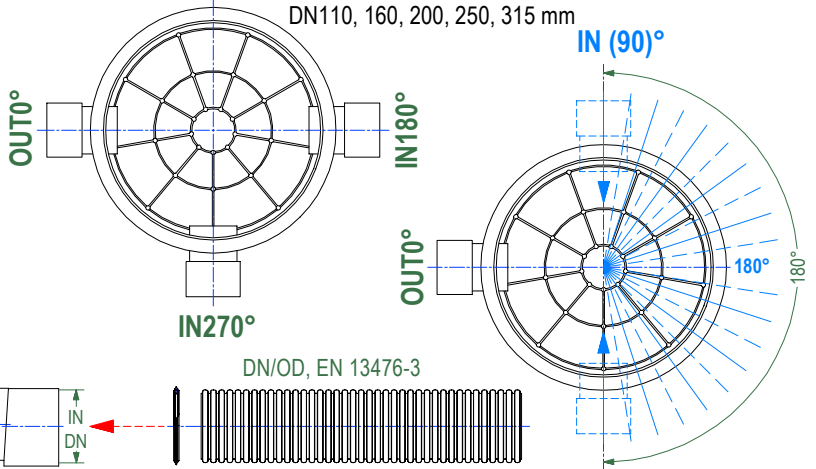
OUT0° / IN90° / IN180° IN270°  
DN110, 160, 200, 250, 315 mm



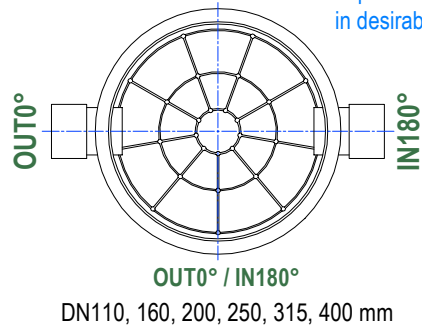
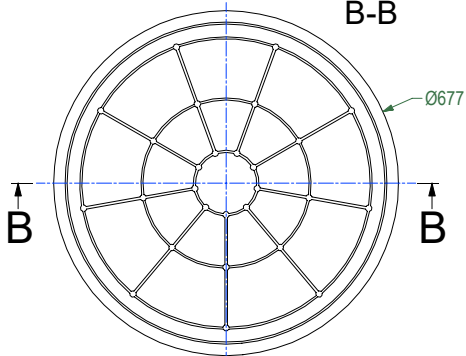
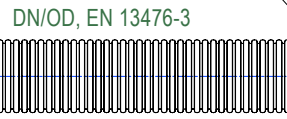
OUT0° / IN90° / IN180°  
DN110, 160, 200, 250, 315 mm



OUT0° / IN180° IN270°  
DN110, 160, 200, 250, 315 mm



IN (90°)  
180°  
IN (270°)  
OUT0° / IN(90 - 270°)  
DN110, 160, 200, 250, 315 mm



OUT0° / IN180°  
DN110, 160, 200, 250, 315, 400 mm

*This drawing is not suitable for the design and construction of other objects without the consent of SIA "EVOPIPES"*



SIA "EVOPIPES"  
Langervaldes str. 2a, Jelgava, LV-3002, Latvia  
Company reg. No.: 50003728871  
Phone: +371 63094300  
E-mail: [info@evopipes.lv](mailto:info@evopipes.lv)  
Website: [www.evopipes.lv](http://www.evopipes.lv)

FILE NAME:  
CID.600

SHEET: 1 OF 1

SHEET FORMAT: @ A4

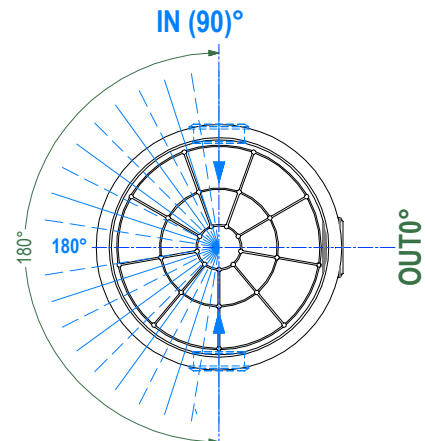
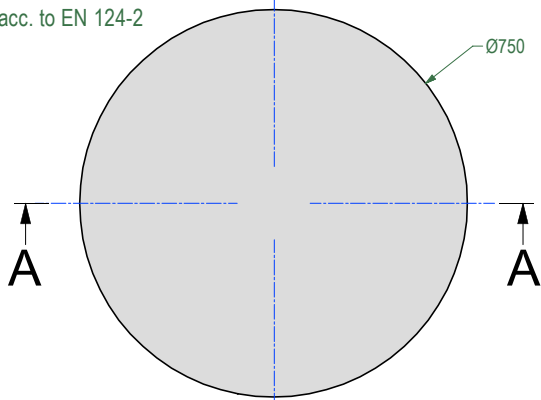
SCALE:  
WITHOUT SCALE

STAGE:  
STANDARD DRAWING

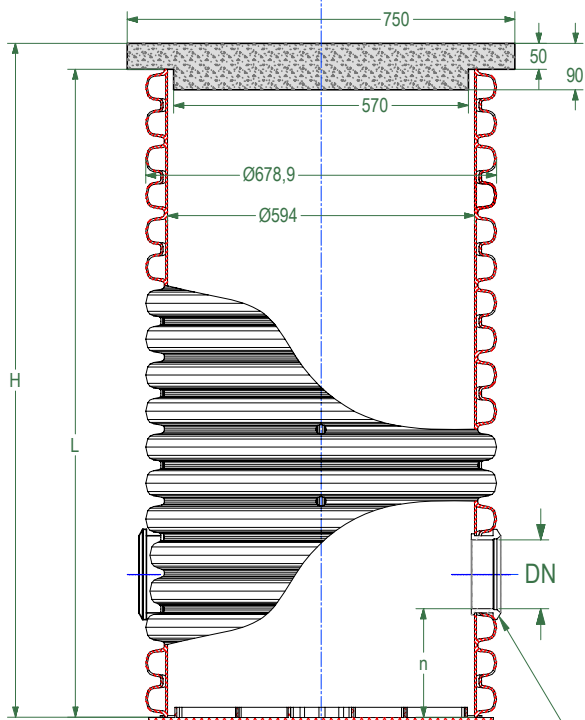
3	4		
DRAWING No.:	VERSION	REVISION	REVISION STATUS
CID.600	EN	1	ACTUAL

# CID.600.RB

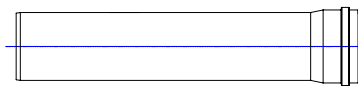
Cover class A15 or B125  
acc. to EN 124-2



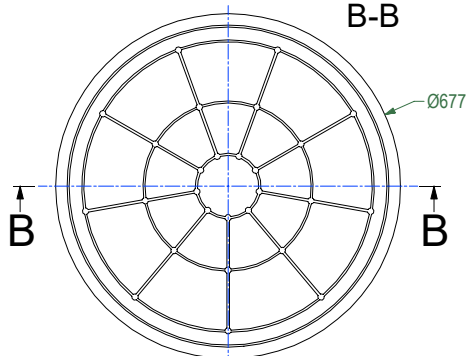
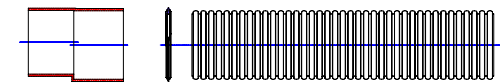
IN (90°)  
IN (270°)  
OUT0° / IN(90 - 270°)  
DN110, 160, 200 mm  
IN - requested connection  
in desirable angle



DN/OD, EN 13476-2,  
EN 1852-1, EN 14758-1



DN/OD, EN 13476-3



*This drawing is not suitable for the design and construction of other objects without the consent of SIA "EVOPIPES"*



SIA "EVOPIPES"  
Langervaldes str. 2a, Jelgava, LV-3002, Latvia  
Company reg. No.: 50003728871  
Phone: +371 63094300  
E-mail: [info@evopipes.lv](mailto:info@evopipes.lv)  
Website: [www.evopipes.lv](http://www.evopipes.lv)

FILE NAME:  
CID.600

SHEET: 1 OF 1

SHEET FORMAT: @ A4

SCALE:  
WITHOUT SCALE

STAGE:  
STANDARD DRAWING