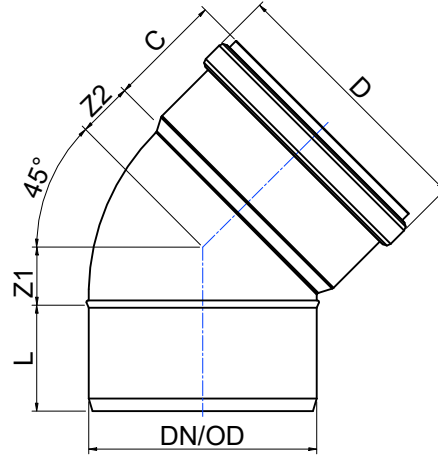


DRAWING No.:	VERSION	REVISION	REVISION STATUS
ELBOW PP 45DEG DN110-400	EN	1	ACTUAL



DN/OD, mm	D, mm	C, mm	L, mm	Z1, mm	Z2, mm
Ø110	Ø127	61	64	23	28
Ø160	Ø184	75	82,5	33	40
Ø200	Ø230	87,1	102	42	56
Ø250	Ø290,8	123	144	69	102
Ø315	Ø361,1	146	171	85	126
Ø400	Ø455,3	173	209	102	160



SIA "EVOPIPES"  
 Langervaldes str. 2a, Jelgava, LV-3002, Latvia  
 Company reg. No.: 50003728871  
 Phone: +371 63094300  
 E-mail: [info@evopipes.lv](mailto:info@evopipes.lv)  
 Website: [www.evopipes.lv](http://www.evopipes.lv)

FILE NAME:  
 ELBOW PP 45DEG DN110-400

SHEET: 1 OF 1

SHEET FORMAT: @ A4

SCALE:  
 WITHOUT SCALE  
 STAGE:  
 STANDARD DRAWING