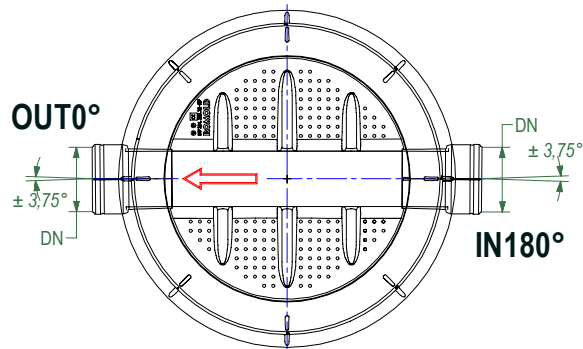
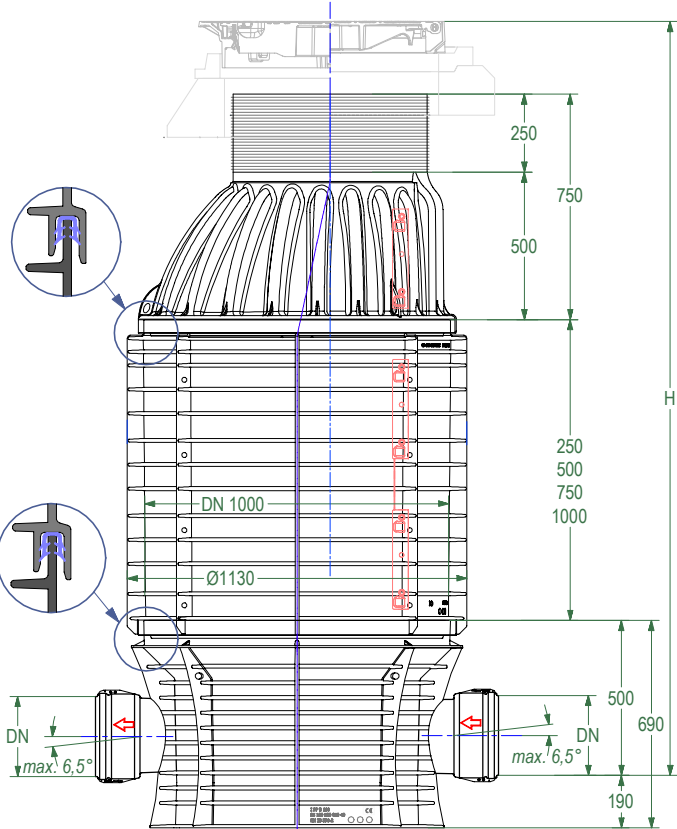


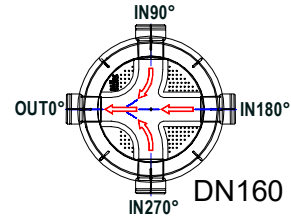
DRAWING No.:	VERSION	REVISION	REVISION STATUS
DN1000.625.1.B.3BL	EN	1	ACTUAL

DN1000.625.1B

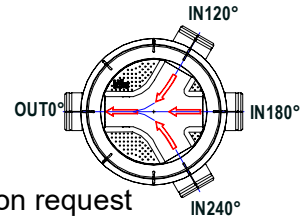
The chamber cover type (self-leveling or stationary) and load class must be selected according to the needs of the project. See www.evopipes.com for possible chamber cover solutions in the Products section - Chamber covers, grates and support rings.



OUT0° / IN180°
DN160, 200, 250, 315, 400 mm

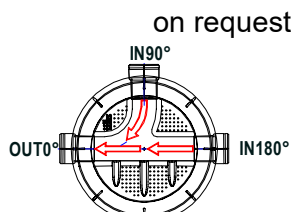


DN160 mm on request
OUT0° / IN90° / IN180° / IN270°
DN200, 250, 315 mm



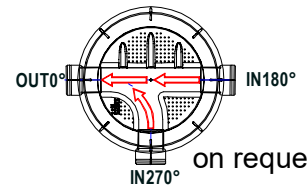
DN160 mm on request
OUT0° / IN120° / IN180° / IN240°
DN200, 250, 315 mm

RIGHT | LEFT

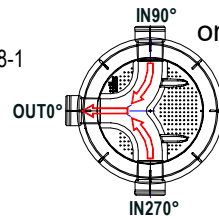


OUT0° / IN90° / IN180°
DN160, 200, 250, 315 mm

OUT0° / IN180° / IN270°
DN160, 200, 250, 315 mm

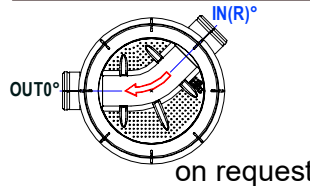


DN/OD, EN 13476-2,
EN 1852-1, EN 14758-1

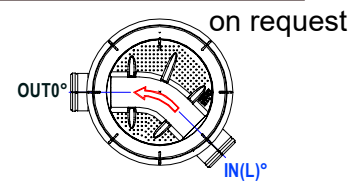


OUT0° / IN90° / IN270°
DN200, 250, 315 mm

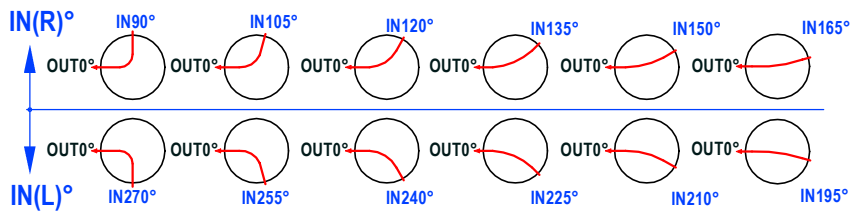
RIGHT | LEFT



OUT0° / IN(R)°
DN160, 200, 250, 315, 400 mm



OUT0° / IN(L)°
DN160, 200, 250, 315, 400 mm



This drawing is the property of SIA Evopipes and is protected by law.



SIA "EVOPIPES"
Langervaldes str. 2a, Jelgava, LV-3002, Latvia
Company reg. No.: 50003728871
Phone: +371 63094300
E-mail: info@evopipes.lv
Website: www.evopipes.lv

FILE NAME:
DN1000.625.1.B.3BL

SHEET: 1 OF 1

SHEET FORMAT: @ A4

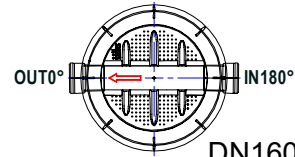
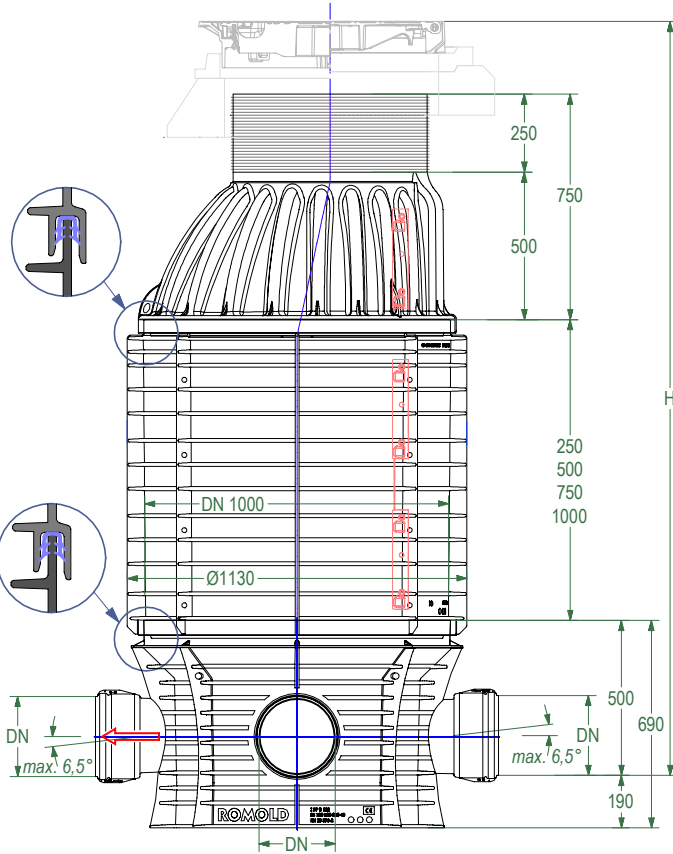
SCALE:
WITHOUT SCALE

STAGE:
STANDARD DRAWING

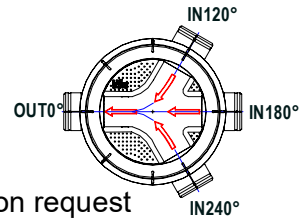
DRAWING No.:	VERSION	REVISION	REVISION STATUS
DN1000.625.1.B.3BL	EN	1	ACTUAL

DN1000.625.3BL

The chamber cover type (self-leveling or stationary) and load class must be selected according to the needs of the project. See www.evopipes.com for possible chamber cover solutions in the Products section - Chamber covers, grates and support rings.

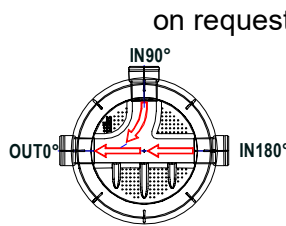


DN160 mm on request
OUT0° / IN180°
 DN160, 200, 250, 315, 400 mm

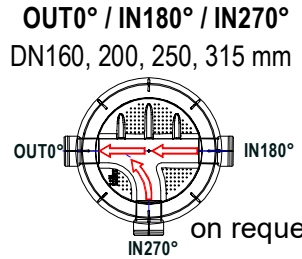


DN160 mm on request
OUT0° / IN120° / IN180° / IN240°
 DN200, 250, 315 mm

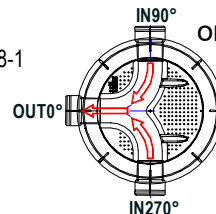
RIGHT | LEFT



on request
OUT0° / IN90° / IN180°
 DN160, 200, 250, 315 mm

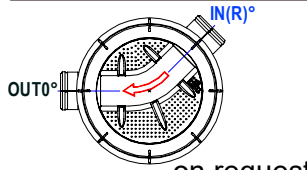


OUT0° / IN180° / IN270°
 DN160, 200, 250, 315 mm
 on request

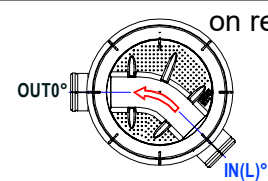


DN/OD, EN 13476-2, EN 1852-1, EN 14758-1
 on request
OUT0° / IN90° / IN270°
 DN200, 250, 315 mm

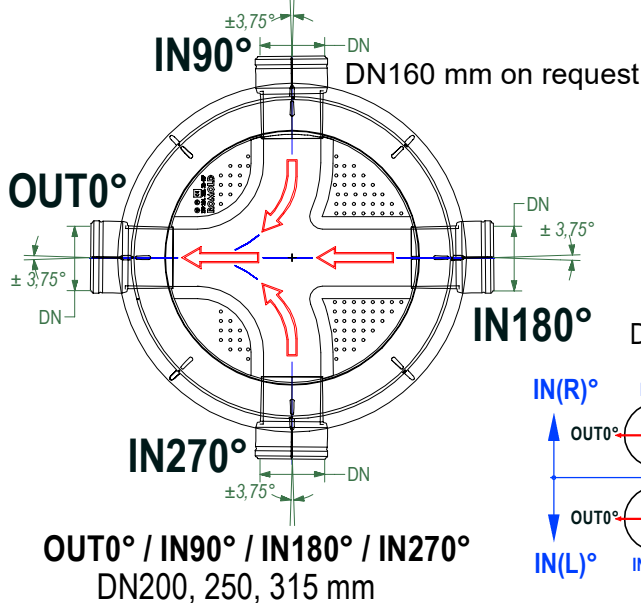
RIGHT | LEFT



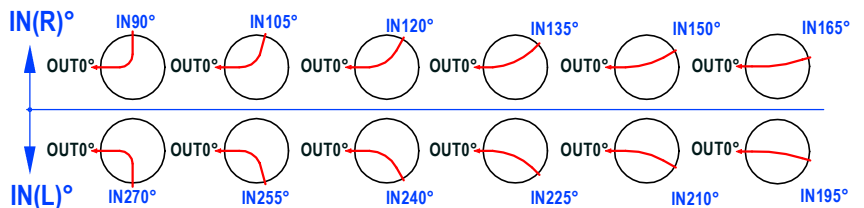
on request
OUT0° / IN(R)°
 DN160, 200, 250, 315, 400 mm



on request
OUT0° / IN(L)°
 DN160, 200, 250, 315, 400 mm



OUT0° / IN90° / IN180° / IN270°
 DN200, 250, 315 mm



This drawing is the property of SIA Evopipes and is protected by law.



SIA "EVOPIPES"
 Langervaldes str. 2a, Jelgava, LV-3002, Latvia
 Company reg. No.: 50003728871
 Phone: +371 63094300
 E-mail: info@evopipes.lv
 Website: www.evopipes.lv

FILE NAME:
 DN1000.625.1.B.3BL

SHEET: 1 OF 1

SHEET FORMAT: @ A4

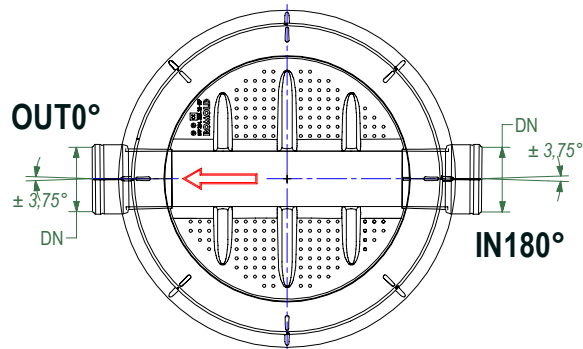
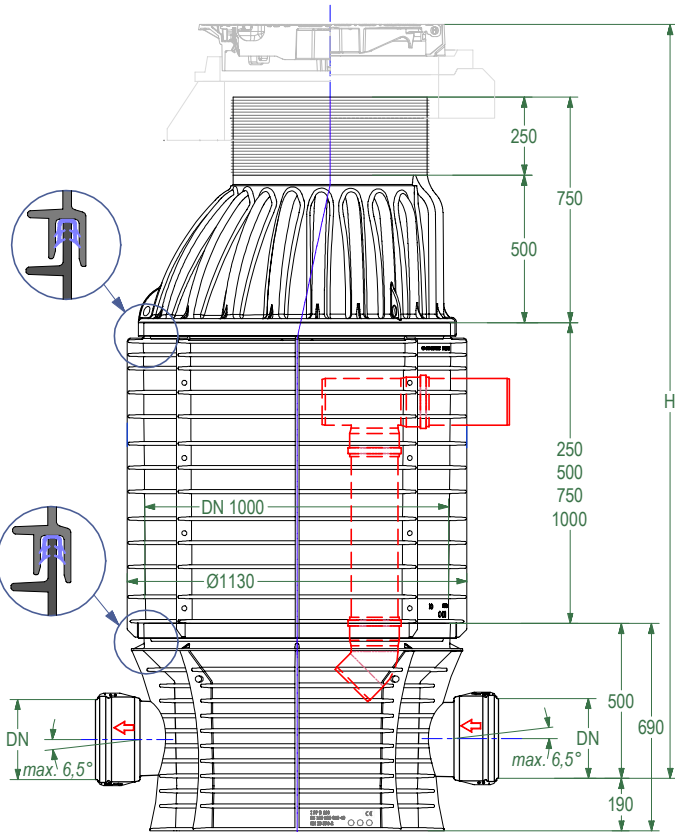
SCALE:
 WITHOUT SCALE

STAGE:
 STANDARD DRAWING

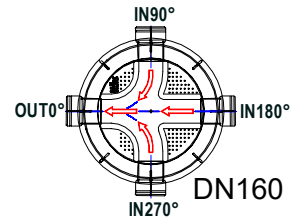
DRAWING No.:	VERSION	REVISION	REVISION STATUS
DN1000.625.1B.3BL	EN	1	ACTUAL

DN1000.625.1B.PR

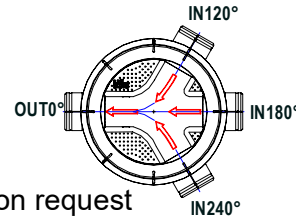
The chamber cover type (self-leveling or stationary) and load class must be selected according to the needs of the project. See www.evopipes.com for possible chamber cover solutions in the Products section - Chamber covers, grates and support rings.



OUT0° / IN180°
DN160, 200, 250, 315, 400 mm

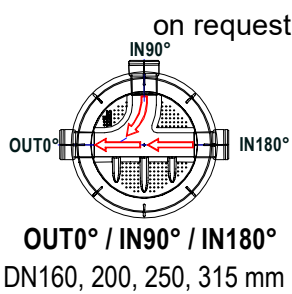


OUT0° / IN90° / IN180° / IN270°
DN200, 250, 315 mm

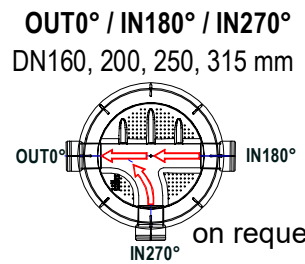


OUT0° / IN120° / IN180° / IN240°
DN200, 250, 315 mm

RIGHT | LEFT

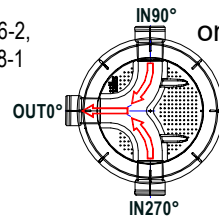


OUT0° / IN90° / IN180°
DN160, 200, 250, 315 mm



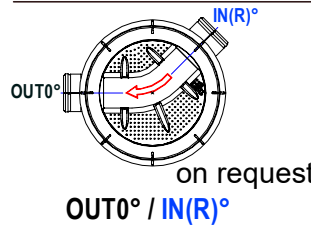
OUT0° / IN180° / IN270°
DN160, 200, 250, 315 mm

PP DN/OD, EN 13476-2,
EN 1852-1, EN 14758-1

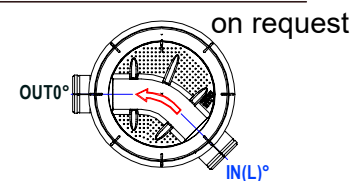


OUT0° / IN90° / IN270°
DN200, 250, 315 mm

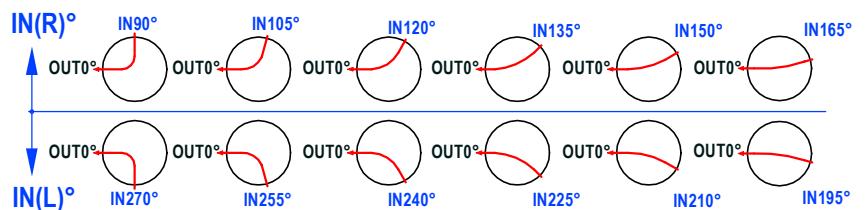
RIGHT | LEFT



OUT0° / IN(R)°
DN160, 200, 250, 315, 400 mm



OUT0° / IN(L)°
DN160, 200, 250, 315, 400 mm



This drawing is the property of SIA Evopipes and is protected by law.



SIA "EVOPIPES"
Langervaldes str. 2a, Jelgava, LV-3002, Latvia
Company reg. No.: 50003728871
Phone: +371 63094300
E-mail: info@evopipes.lv
Website: www.evopipes.lv

FILE NAME:
DN1000.625.1B.3BL

SHEET: 1 OF 1

SHEET FORMAT: @ A4

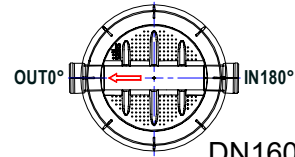
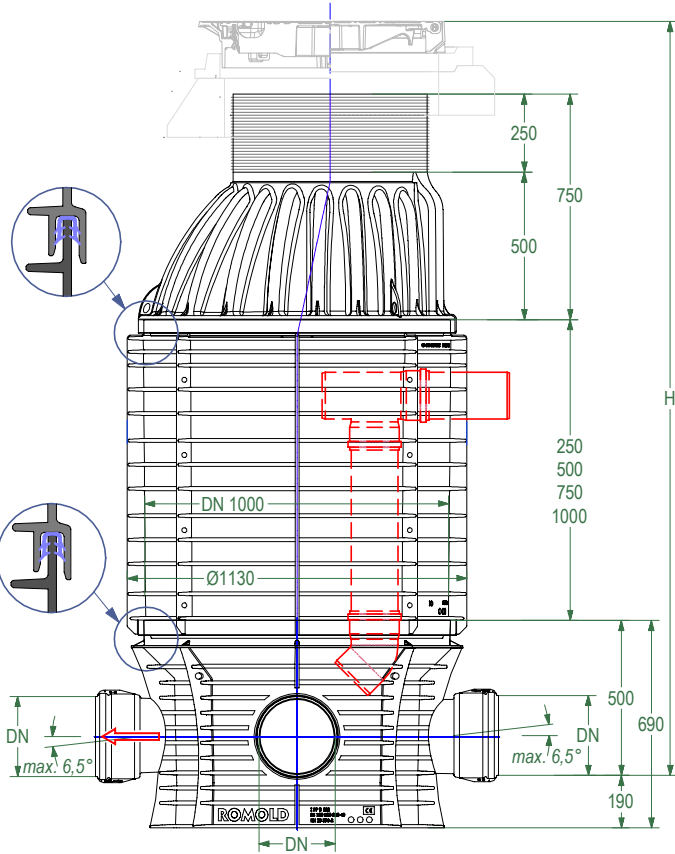
SCALE:
WITHOUT SCALE

STAGE:
STANDARD DRAWING

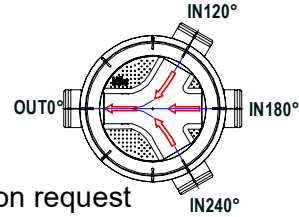
DRAWING No.:	VERSION	REVISION	REVISION STATUS
DN1000.625.1.B.3BL	EN	1	ACTUAL

DN1000.625.3BL.PR

The chamber cover type (self-leveling or stationary) and load class must be selected according to the needs of the project. See www.evopipes.com for possible chamber cover solutions in the Products section - Chamber covers, grates and support rings.

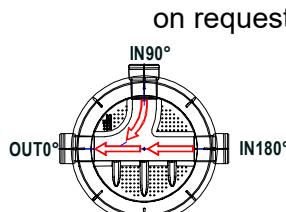


DN160 mm on request
OUT0° / IN180°
 DN160, 200, 250, 315, 400 mm



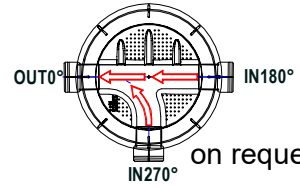
DN160 mm on request
OUT0° / IN120° / IN180° / IN240°
 DN200, 250, 315 mm

RIGHT | LEFT



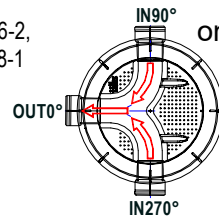
on request
OUT0° / IN90° / IN180°
 DN160, 200, 250, 315 mm

OUT0° / IN180° / IN270°
 DN160, 200, 250, 315 mm



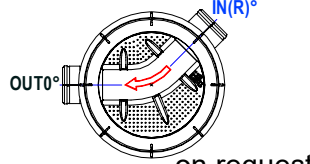
on request

PP DN/OD, EN 13476-2,
 EN 1852-1, EN 14758-1

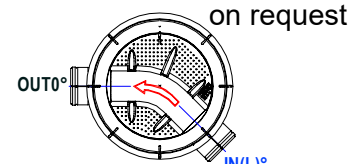


on request
OUT0° / IN90° / IN270°
 DN200, 250, 315 mm

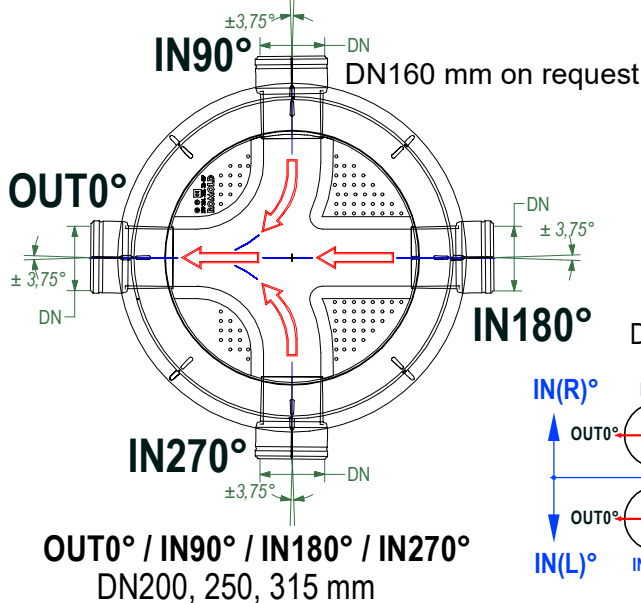
RIGHT | LEFT



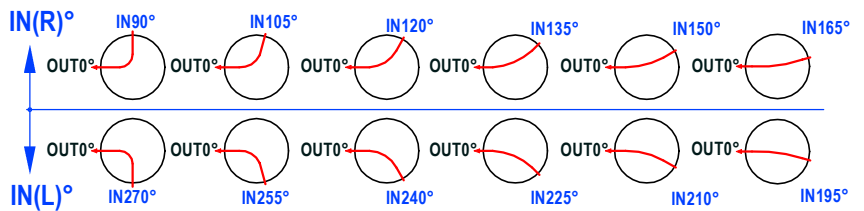
on request
OUT0° / IN(R)°
 DN160, 200, 250, 315, 400 mm



on request
OUT0° / IN(L)°
 DN160, 200, 250, 315, 400 mm



OUT0° / IN90° / IN180° / IN270°
 DN200, 250, 315 mm



This drawing is the property of SIA Evopipes and is protected by law.



SIA "EVOPIPES"
 Langervaldes str. 2a, Jelgava, LV-3002, Latvia
 Company reg. No.: 50003728871
 Phone: +371 63094300
 E-mail: info@evopipes.lv
 Website: www.evopipes.lv

FILE NAME:
 DN1000.625.1.B.3BL

SHEET: 1 OF 1

SHEET FORMAT: @ A4

SCALE:
 WITHOUT SCALE

STAGE:
 STANDARD DRAWING