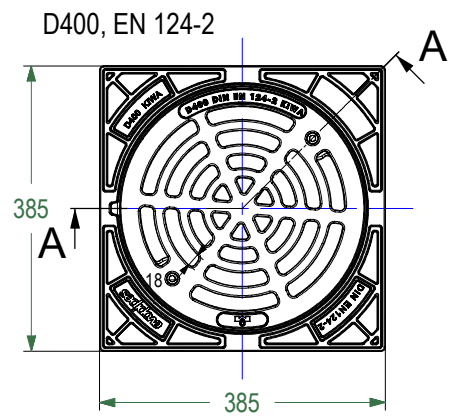
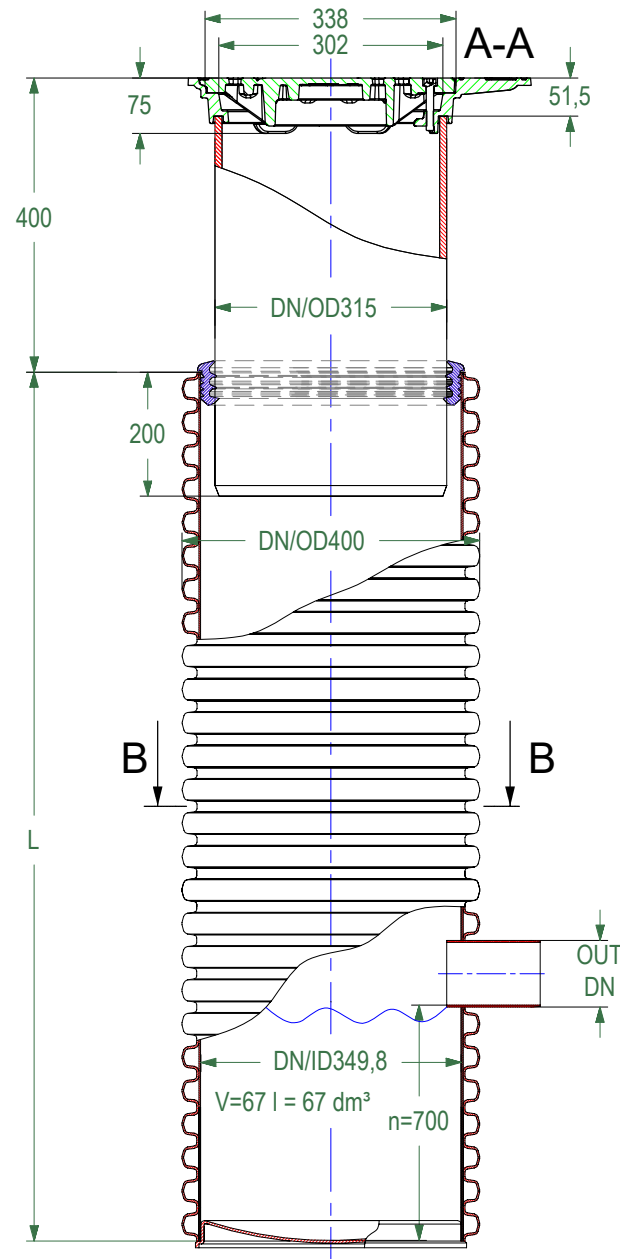


# DN400.315.D400.SR.OD.SM.PIPE

DRAWING No.:	VERSION	REVISION	REVISION STATUS
EN.DN400.315.D400.SR.OD.SM.PIPE	EN	1	ACTUAL

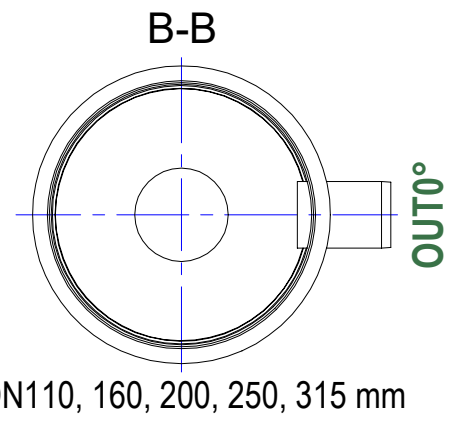
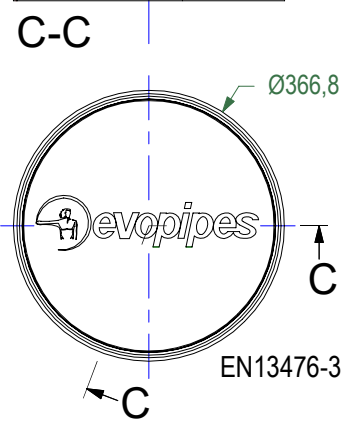
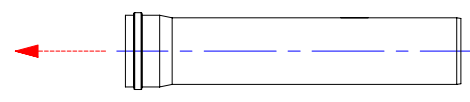


Waterway area: 247 cm<sup>2</sup>

Waterway percentage: 35%.

Water inlet throughput (Qr) at precipitation layer height (Hn):  
 Hn = 10 mm: 6,6 l/s;  
 Hn = 30 mm: 11,4 l/s;  
 Hn = 50 mm: 14,7 l/s

PP DN/OD, EN 13476-2,  
 EN 1852-1, EN 14758-1



This drawing is not suitable for the design and construction of other objects without the consent of SIA "EVOPIPES"



SIA "EVOPIPES"  
 Langervaldes str. 2a, Jelgava, LV-3002, Latvia  
 Company reg. No.: 50003728871  
 Phone: +371 63094300  
 E-mail: [info@evopipes.lv](mailto:info@evopipes.lv)  
 Website: [www.evopipes.lv](http://www.evopipes.lv)

FILE NAME:  
 EN.DN400.315.D400.SR.OD.SM.PIPE.dwg

SHEET: 1 OF 1

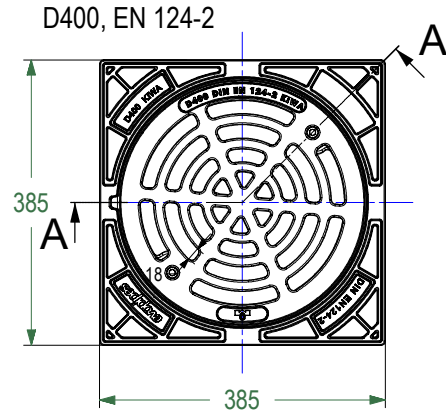
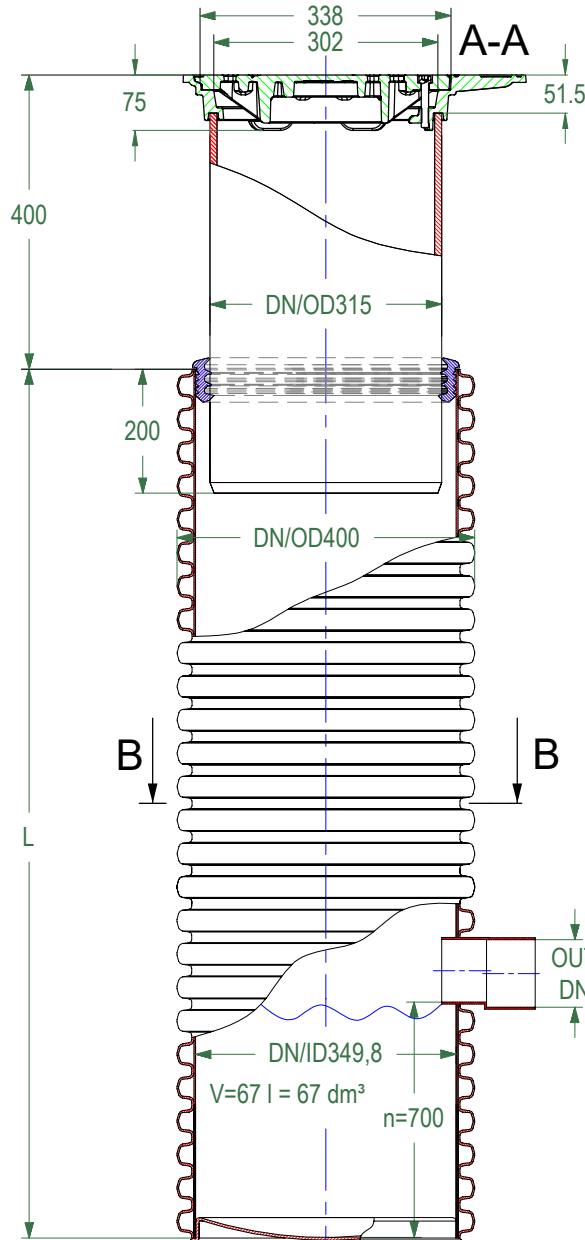
SHEET FORMAT: @ A4

SCALE:  
 WITHOUT SCALE

STAGE:  
 STANDARD DRAWING

# DN400.315.D400.SR.OD.PR.PIPE

DRAWING No.:	VERSION	REVISION	REVISION STATUS
EN.DN400.315.D400.SR.OD.PR.PIPE	EN	1	ACTUAL



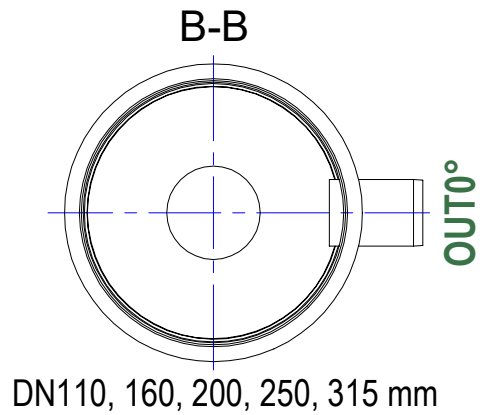
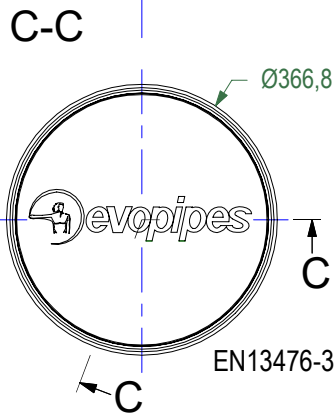
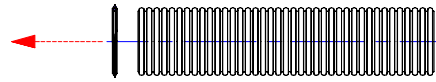
Waterway area: 247 cm<sup>2</sup>

Waterway percentage: 35%.

Water inlet throughput (Qr) at precipitation layer height (Hn):

- Hn = 10 mm: 6,6 l/s;
- Hn = 30 mm: 11,4 l/s;
- Hn = 50 mm: 14,7 l/s

PP DN/OD, EN 13476-2,  
EN 1852-1, EN 14758-1



This drawing is not suitable for the design and construction of other objects without the consent of SIA "EVOPIPES"



SIA "EVOPIPES"  
Langervaldes str. 2a, Jelgava, LV-3002, Latvia  
Company reg. No.: 50003728871  
Phone: +371 63094300  
E-mail: [info@evopipes.lv](mailto:info@evopipes.lv)  
Website: [www.evopipes.lv](http://www.evopipes.lv)

FILE NAME:  
EN.DN400.315.D400.SR.OD.PR.PIPE.dwg

SHEET: 1 OF 1

SHEET FORMAT: @ A4

SCALE:  
WITHOUT SCALE  
STAGE:  
STANDARD DRAWING