

TECHNICAL DATA SHEET



MEIDRAIN 300x520

Road gully top

According to EN 124-1,
RAL-GZ692
Classification: D 400



PRODUCT DESCRIPTION

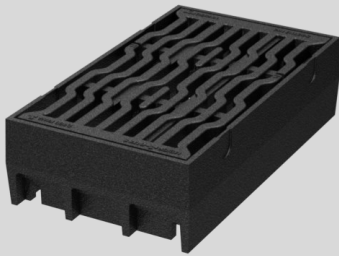
MEIDRAIN 300x520 is stationary type gully top with increased water absorption, intended for use with DN/ID 600 mm gully. Grate can be opened from both sides. Frame has an option to mount debris bucket in it. Equipped with replaceable cushioning inlay MEI-PREN® patented thermoplastic damping seal. MEIDRAIN gully top is equipped with construction drainage openings. By knocking out two drainage openings on both sides of the frame (openings has a "U" shape un they are visibly thinner than the rest of the frame) water collection has been activated.

Material: cast iron.

Vertical load bearing capacity 400kN.

Gully top is certified at independent institution (KIWA) according to EN 124-2 standard specifications and RAL-GZ692.

Country of origin of the product: Germany



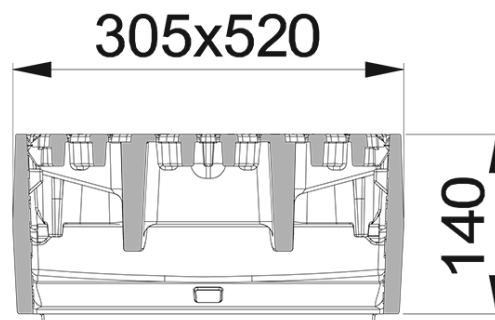
APPLICATION AREA

Application according to group 4 – class D400, which dictates that manhole top can be used for installations in carriageways of roads (including pedestrian streets), hard shoulders and parking areas for all types of road vehicles. Additionally- group 4 manhole tops can be used in areas where lower loads are applicable (from class A 15 to D400).

PRODUCT DIMENSIONS

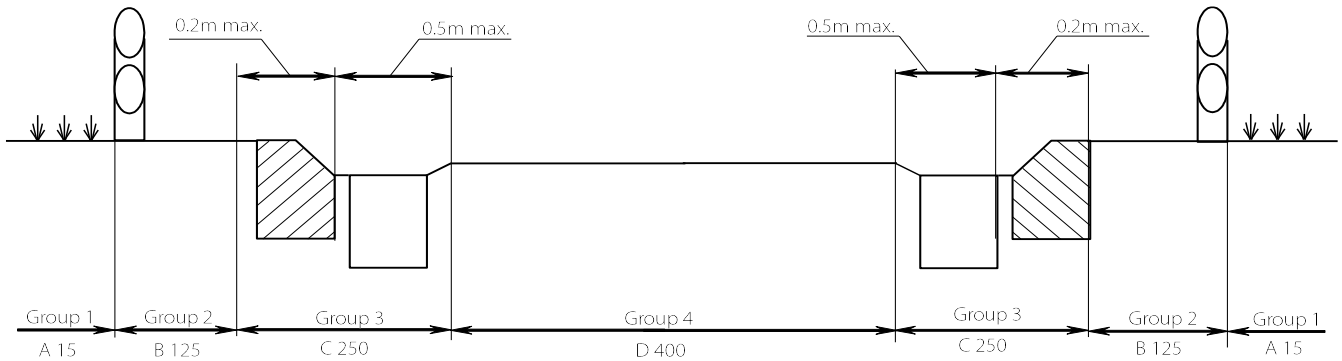
Nominal size	
Frame dimensions (diameter), mm	305x520
Height, mm	140
Slot width, mm	17
Weight, kg	47,5
Inlet cross section, cm ²	653 [cm ²]

Load bearing capacity:
400kN



TECHNICAL DATA SHEET

Manhole cover choice according to installation area. According to EN 124 requirements.



Representative carriageway cross-section, split into groups according to EN 124.

Groups	Class	Load, kN (t)	Area of installation
Group 1	A 15	15 (1.5)	Areas which can only be used by pedestrians and pedal cyclists.
Group 2	B 125	125 (12.5)	Pedestrian areas and comparable areas, car parks or car parking decks.
Group 3	C 250	250 (25)	For gully tops, installed in the area of kerbside channels of roads which, when measured from kerb edge, extends a maximum of 0.5 m into the carriageway and a maximum of 0.2 m into the pedestrian area.
Group 4	D 400	400 (40)	Carriageways of roads (including pedestrian streets), hard shoulders and parking areas for all types of road vehicles .
Group 5	E 600	600 (60)	Areas imposing high wheel loads, e.g. docks, aircraft pavements.
Group 6	F 900	900 (90)	Areas imposing particularly high wheel loads, e.g. aircraft pavements.

APPLICABLE STANDARTS

Number	Description
EN 124	Gully tops and manhole tops for vehicular and pedestrian areas- Design requirements, type testing, marking, quality control
EN 124-1	Gully tops and manhole tops for vehicular and pedestrian areas. Part 1: Definitions, classification , general principles of design, performance requirements and test methods.
EN 124-2	Gully tops and manhole tops for vehicular and pedestrian areas. Part 2: Gully tops and manhole tops made of cast iron
EN 124-3	Gully tops and manhole tops for vehicular and pedestrian areas. Part 3: Gully tops and manhole tops made of steel or aluminium alloys.
EN 124-4	Gully tops and manhole tops for vehicular and pedestrian areas. Part 4: Gully tops and manhole tops made of steel reinforced concrete.
EN 124-5	Gully tops and manhole tops for vehicular and pedestrian areas. Part 5: Gully tops and manhole tops made of composite materials.
EN 124-6	Gully tops and manhole tops for vehicular and pedestrian areas. Part 6: Gully tops and manhole tops made of polypropylene (PP), polyethylene (PE) or unplasticized poly vinyl chloride (PVC-U).