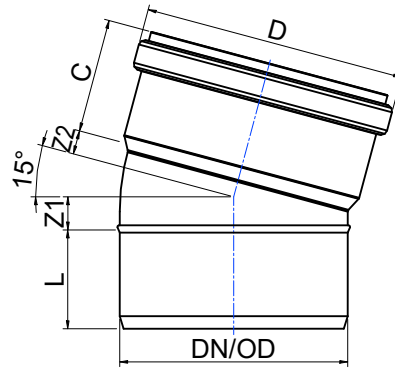


DRAWING No.:	VERSION	REVISION	REVISION STATUS
ELBOW PP 15DEG DN110-400	EN	1	ACTUAL



DN/OD, mm	D, mm	C, mm	L, mm	Z1, mm	Z2, mm
Ø110	Ø135	60	60	10	16
Ø160	Ø184	74	74	19	17
Ø200	Ø232	100	117	19,6	46,8
Ø250	Ø290,8	123	144	27	60
Ø315	Ø361,1	146	171	33	74
Ø400	Ø455,3	173	209	38	96



SIA "EVOPIPES"
 Langervaldes str. 2a, Jelgava, LV-3002, Latvia
 Company reg. No.: 50003728871
 Phone: +371 63094300
 E-mail: info@evopipes.lv
 Website: www.evopipes.lv

FILE NAME:
 ELBOW PP 15DEG DN110-400

SHEET: 1 OF 1

SHEET FORMAT: @ A4

SCALE:
 WITHOUT SCALE
 STAGE:
 STANDARD DRAWING