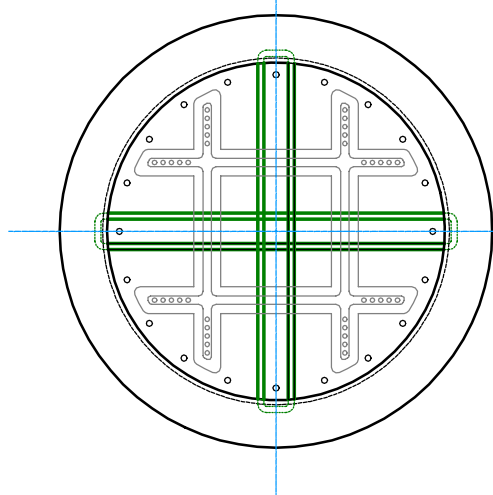
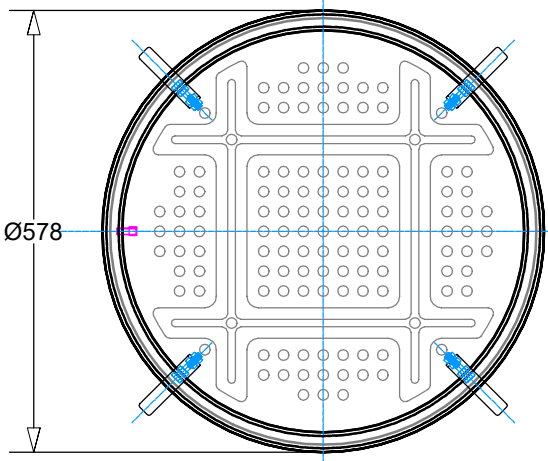


DRAWING No.:	VERSION	REVISION	REVISION STATUS
FILTER - FIS-0600-2-KUNDENZ-5KG-10KG-ENG	EN	1	ACTUAL

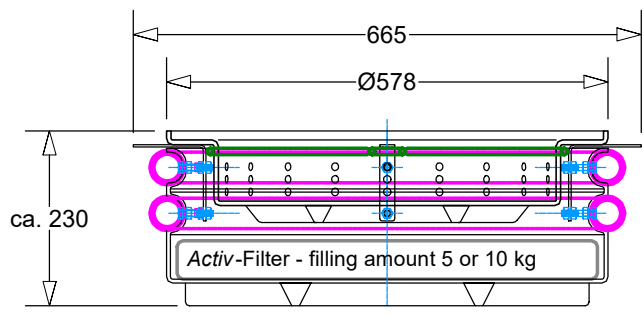
dirt trap
top view



pan
top view

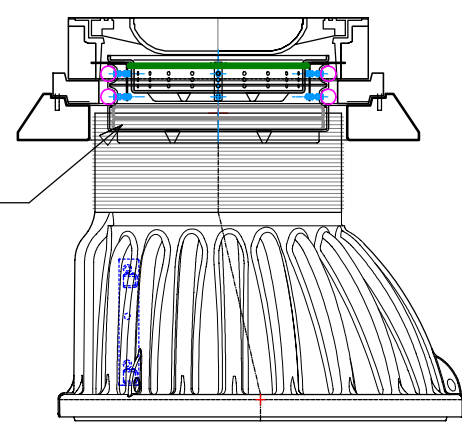


cutting



Installation example: sewage chamber

Activ-Filter FIS-0600-02,
filling amount approx. 5 kg



SIA "EVOPIPES"
Langervaldes str. 2a, Jelgava, LV-3002, Latvia
Company reg. No.: 50003728871
Phone: +371 63094300
E-mail: info@evopipes.lv
Website: www.evopipes.lv

FILE NAME:
Filter - FIS-0600-2-Kundenz-5kg-10kg-eng.dwg

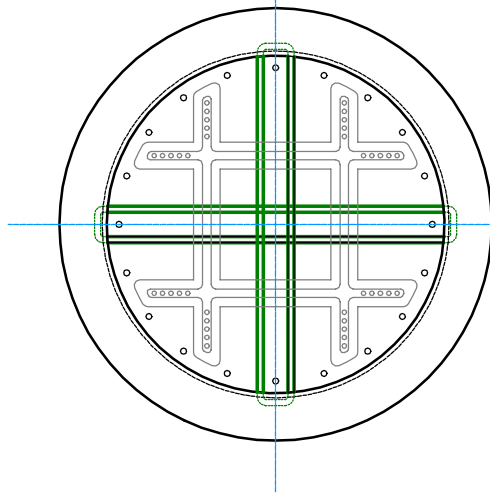
SHEET: 1 OF 1

SHEET FORMAT: @ A4

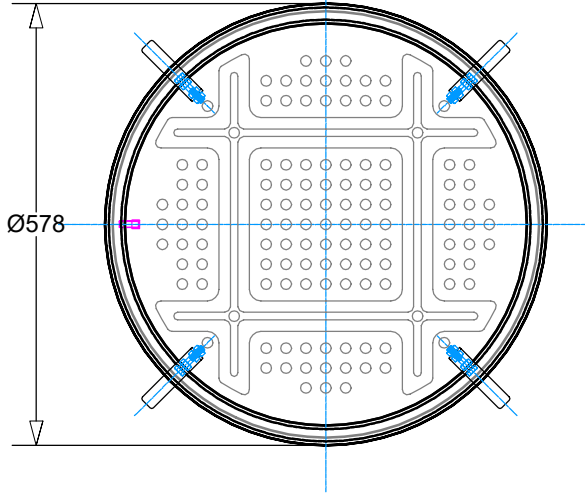
SCALE:
WITHOUT SCALE
STAGE:
STANDARD DRAWING

DRAWING No.:	VERSION	REVISION	REVISION STATUS
FILTER - FIS-0600-2-KUNDENZ-5KG-10KG-ENG	EN	1	ACTUAL

dirt trap
top view

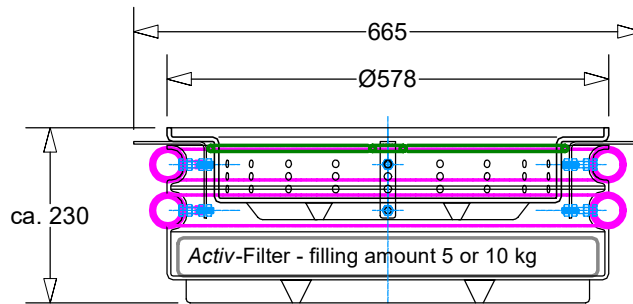


pan
top view



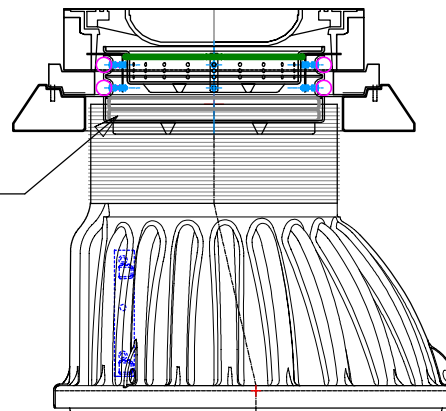
Ø578

cutting



Installation example: pressure end pipe chamber

Activ-Filter DES-ACF-0600-02,
filling amount approx. 10 kg



SIA "EVOPIPES"
Langervaldes str. 2a, Jelgava, LV-3002, Latvia
Company reg. No.: 50003728871
Phone: +371 63094300
E-mail: info@evopipes.lv
Website: www.evopipes.lv

FILE NAME:
Filter - FIS-0600-2-Kundenz-5kg-10kg-eng.dwg

SHEET: 1 OF 1

SHEET FORMAT: @ A4

SCALE:
WITHOUT SCALE

STAGE:
STANDARD DRAWING