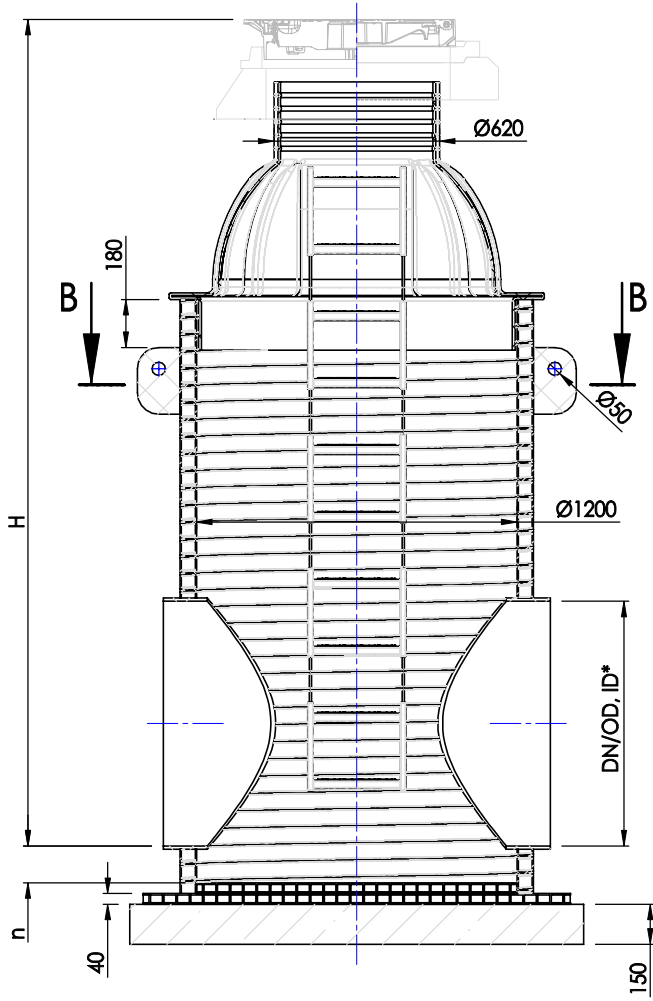


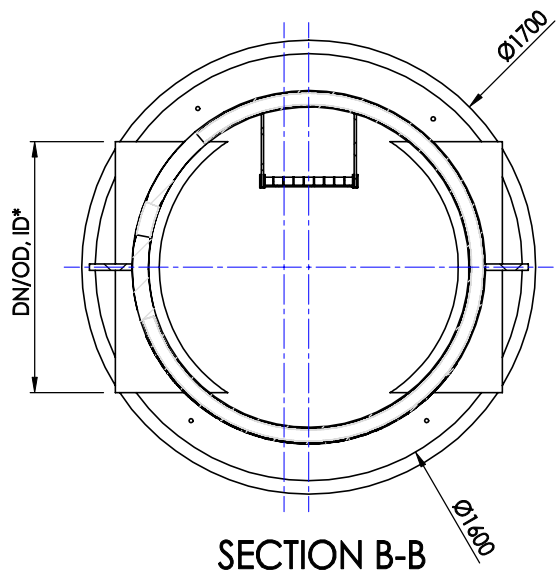
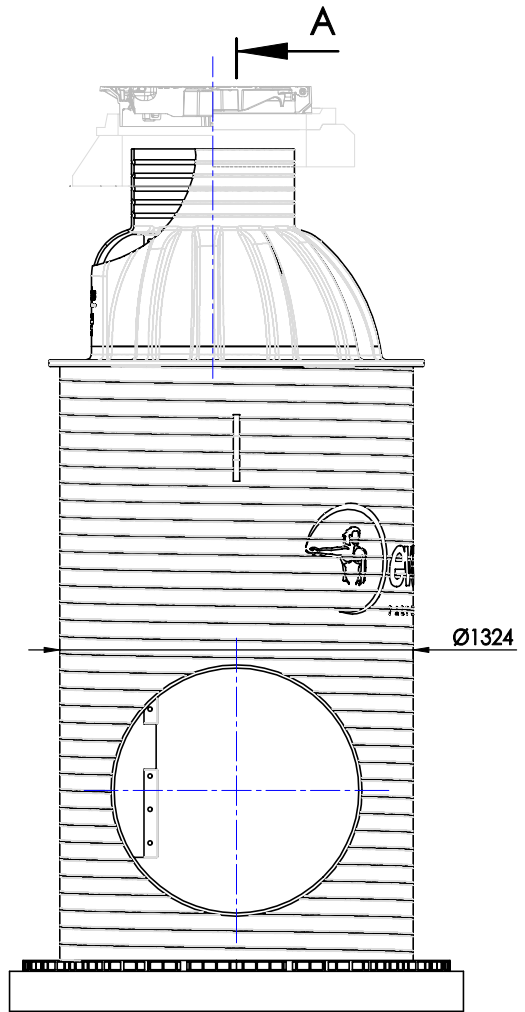
# DN1200.620.ST

DRAWING No.:	VERSION	REVISION	REVISION STATUS
CSL_1200_620	EN	1	ACTUAL

The chamber cover type (self-leveling or stationary) and load class must be selected according to the needs of the project. See [www.evopipes.com](http://www.evopipes.com) for possible chamber cover solutions in the Products section - Chamber covers, grates and support rings.



SECTION A-A



SECTION B-B

\*DN/OD - 110, 160, 200, 250, 315, 400 mm  
 DN/ID - 300, 400, 500, 600, 800 mm

*This drawing is the property of SIA Evopipes and is protected by law.*



SIA "EVOPIPES"  
 Langervaldes str. 2a, Jelgava, LV-3002, Latvia  
 Company reg. No.: 50003728871  
 Phone: +371 63094300  
 E-mail: [info@evopipes.lv](mailto:info@evopipes.lv)  
 Website: [www.evopipes.lv](http://www.evopipes.lv)

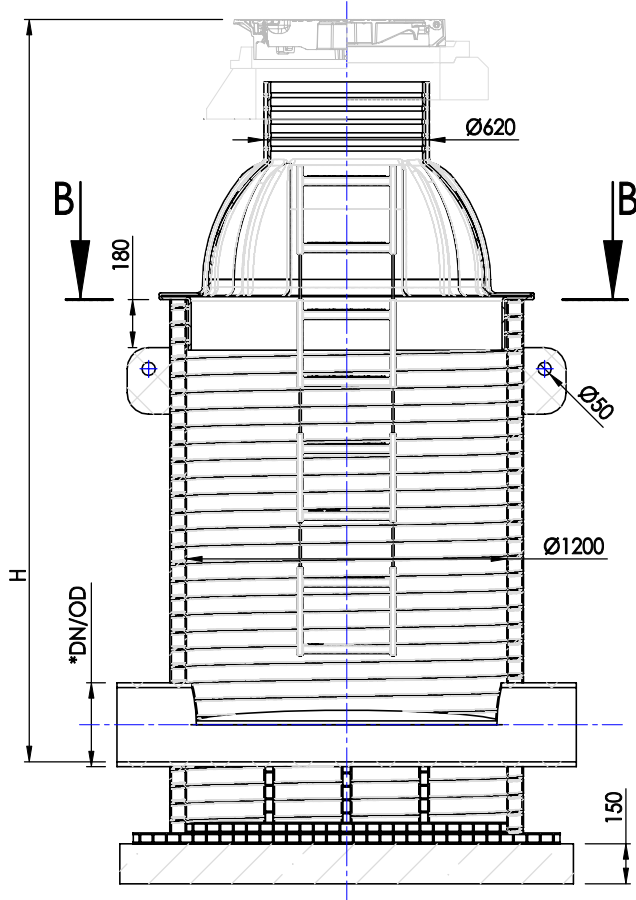
FILE NAME:	CSL_1200_620	
SHEET:	1 OF 1	SHEET FORMAT: @ A4

SCALE:	WITHOUT SCALE
STAGE:	STANDARD DRAWING

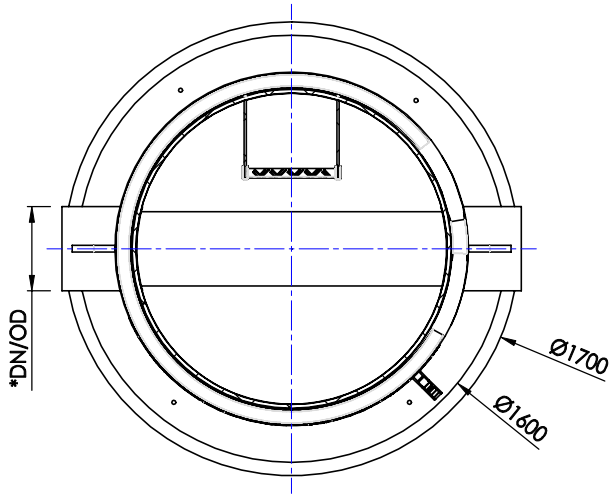
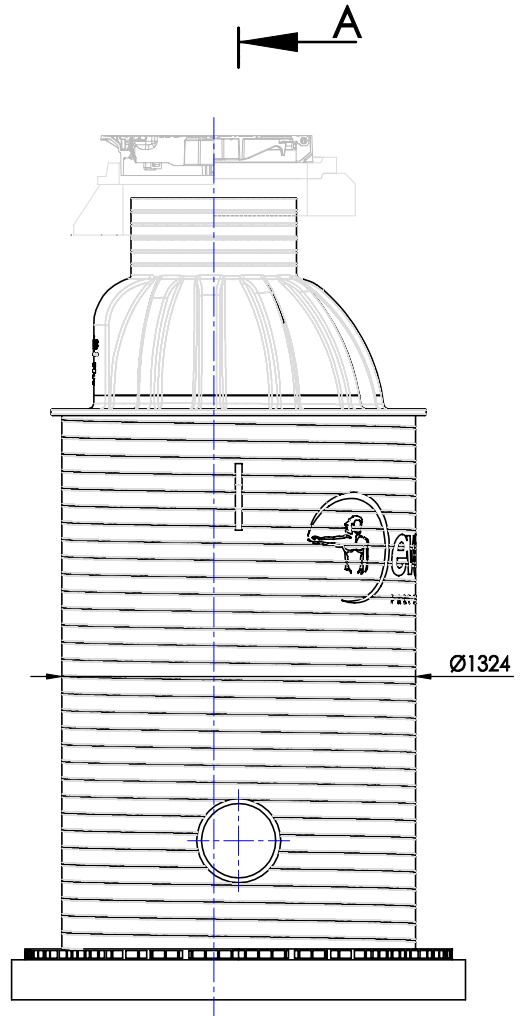
# DN1200.620.1B

DRAWING No.:	VERSION	REVISION	REVISION STATUS
CSL_1200_620	EN	1	ACTUAL

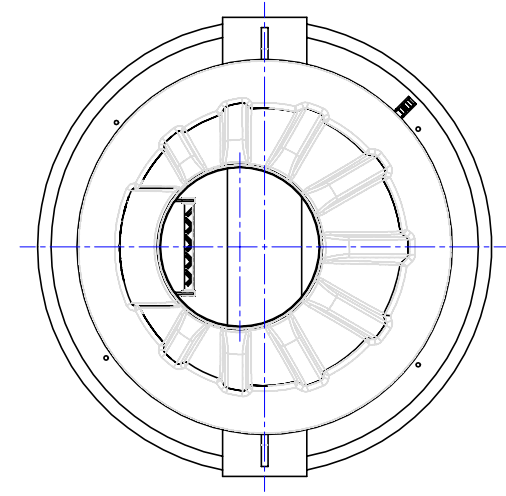
The chamber cover type (self-leveling or stationary) and load class must be selected according to the needs of the project. See [www.evopipes.com](http://www.evopipes.com) for possible chamber cover solutions in the Products section - Chamber covers, grates and support rings.



SECTION A-A



SECTION B-B



\*DN/OD - 110, 160, 200, 250, 315, 400 mm  
 DN/ID - 300, 400, 500, 600, 800 mm

*This drawing is the property of SIA Evopipes and is protected by law.*



SIA "EVOPIPES"  
 Langervaldes str. 2a, Jelgava, LV-3002, Latvia  
 Company reg. No.: 50003728871  
 Phone: +371 63094300  
 E-mail: [info@evopipes.lv](mailto:info@evopipes.lv)  
 Website: [www.evopipes.lv](http://www.evopipes.lv)

FILE NAME:  
 CSL\_1200\_620

SHEET: 1 OF 1

SHEET FORMAT: @ A4

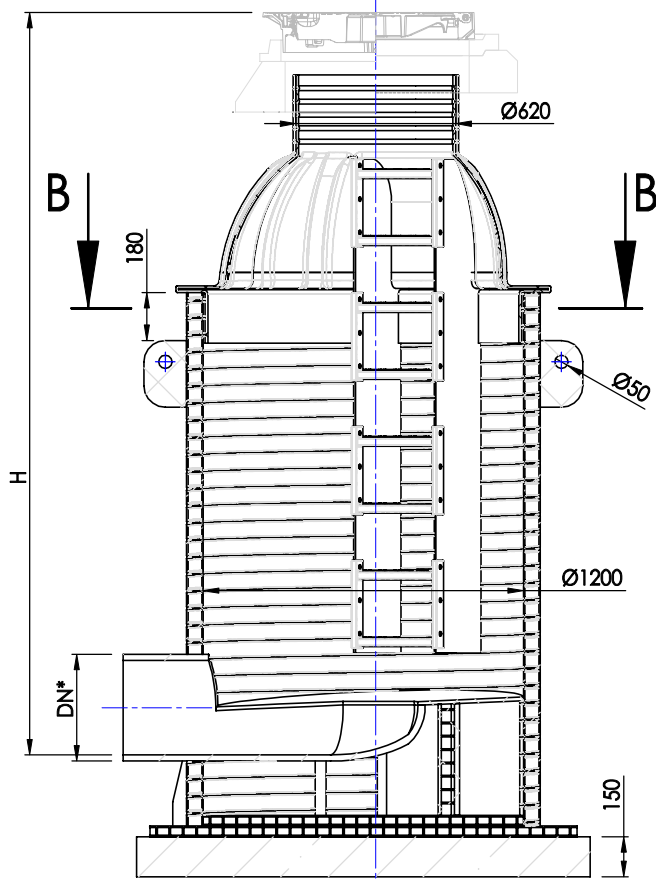
SCALE:  
 WITHOUT SCALE

STAGE:  
 STANDARD DRAWING

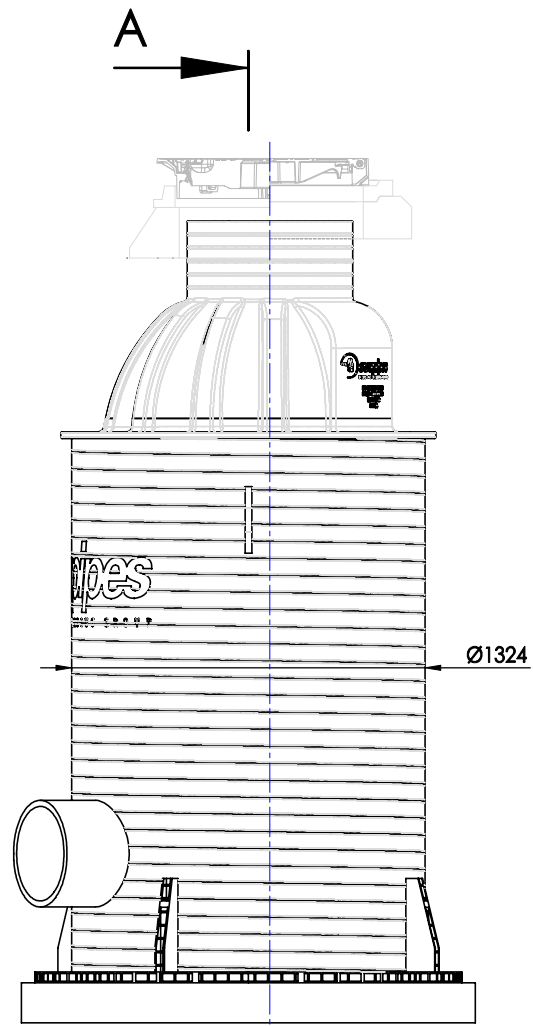
# DN1200.620.1BB

DRAWING No.:	VERSION	REVISION	REVISION STATUS
CSL_1200_620	EN	1	ACTUAL

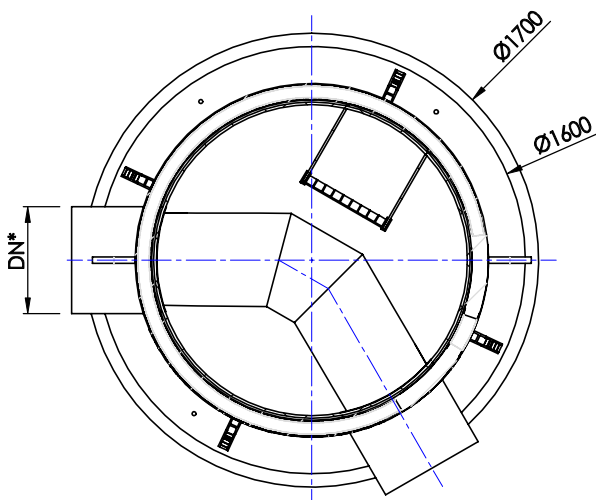
The chamber cover type (self-leveling or stationary) and load class must be selected according to the needs of the project. See [www.evopipes.com](http://www.evopipes.com) for possible chamber cover solutions in the Products section - Chamber covers, grates and support rings.



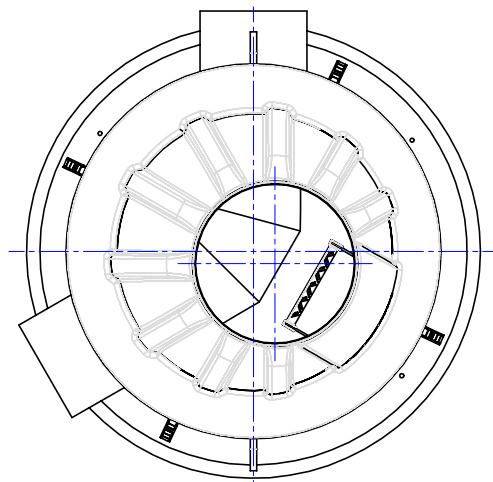
SECTION A-A



A



SECTION B-B



\*DN/OD - 110, 160, 200, 250, 315, 400 mm  
DN/ID - 300, 400, 500, 600, 800 mm

*This drawing is the property of SIA Evopipes and is protected by law.*



SIA "EVOPIPES"  
Langervaldes str. 2a, Jelgava, LV-3002, Latvia  
Company reg. No.: 50003728871  
Phone: +371 63094300  
E-mail: [info@evopipes.lv](mailto:info@evopipes.lv)  
Website: [www.evopipes.lv](http://www.evopipes.lv)

FILE NAME:  
CSL\_1200\_620

SHEET: 1 OF 1

SHEET FORMAT: @ A4

SCALE:  
WITHOUT SCALE

STAGE:  
STANDARD DRAWING