



REDUCED EF TEE BHZ

SDR 11



water
16 bar



gas
10 bar



hydrogen
10 bar



PE 100-RC
material



10 MPa



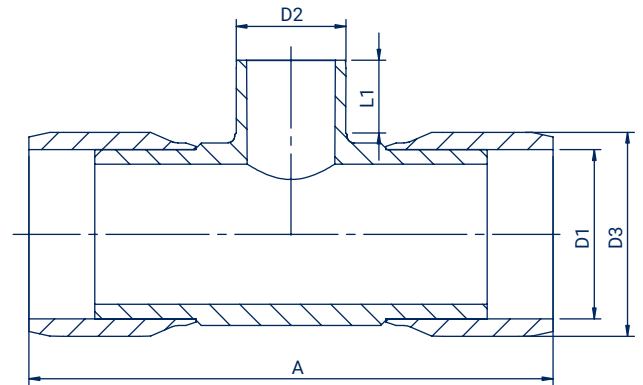
center
stop



ready
to use



bilateral heating
zones



Size D1 (mm)	Code	A (mm)	D3 (mm)	L1 (mm)	Weight (kg)	Packing
200/90	TED20009011	741	238	96	11,52	1
200/110	TED20011011	696	238	86	11,41	1
200/160	TED20016011	691	238	101	11,74	1
225/90	TED22509011	665	266	79	15,88	1
225/110	TED22511011	671	266	85	16,33	1
225/160	TED22516011	709	266	98	15,70	1
250/110	TED25011011	790	299	90	17,00	1
250/160	TED25016011	790	299	107	18,56	1
315/110	TED31511011	922	379	90	32,21	1
315/160	TED31516011	923	379	106	38,06	1
315/250	TED31525011	931	379	150	39,00	1