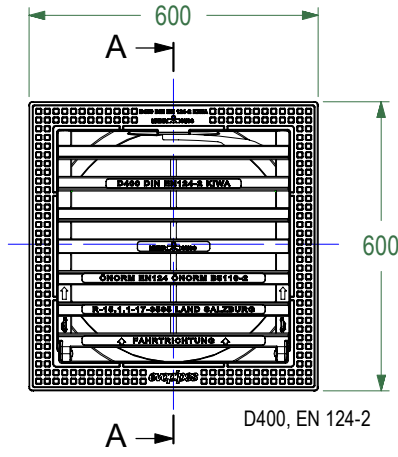
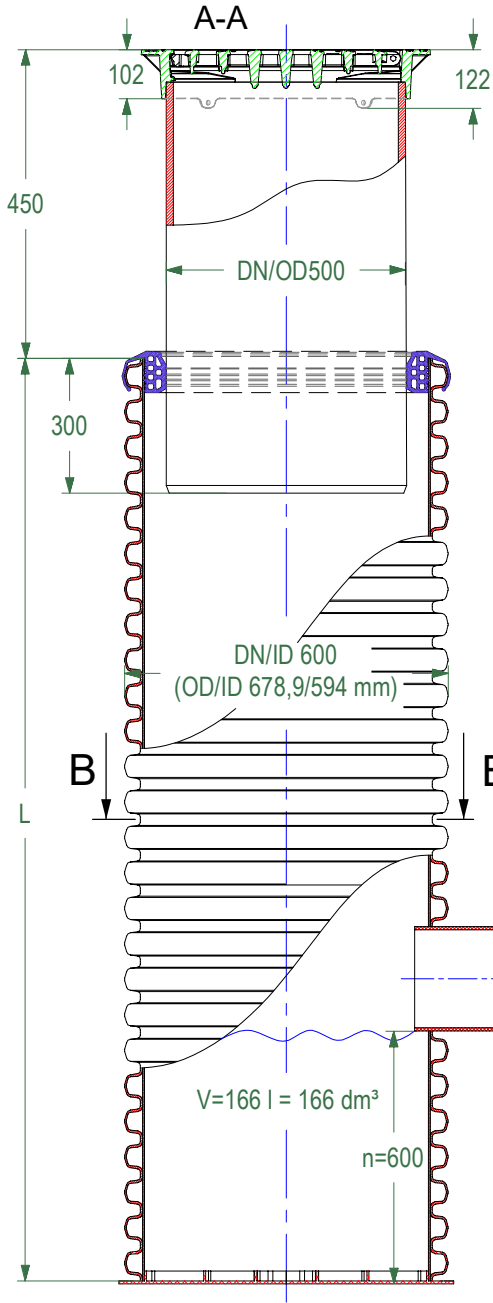


DN600.500.D400.SS.OD.SM.PIPE

DRAWING No.:	VERSION	REVISION	REVISION STATUS
EN.DN600.500.D400.SS.OD.SM.PIPE	EN	1	ACTUAL

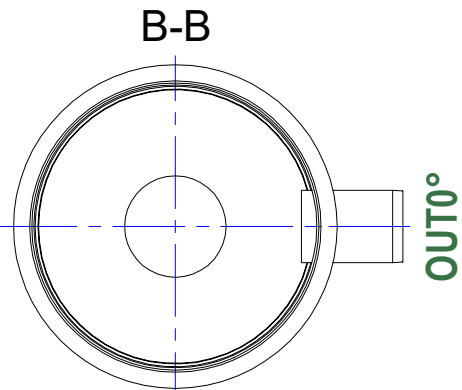
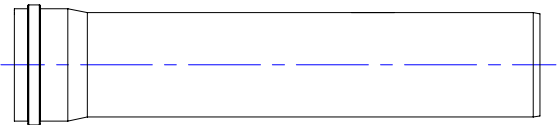


Waterway area: 1965 cm²

Water inlet throughput (Q_r) at precipitation layer height:

- H=10 mm - 43 l/s
- H=20 mm - 62 l/s
- H=30 mm - 76 l/s
- H=40 mm - 87 l/s
- H=50 mm - 98 l/s

PP DN/OD, EN 13476-2,
EN 1852-1, EN 14758-1



DN110, 160, 200, 250, 315, 400 mm

This drawing is not suitable for the design and construction of other objects without the consent of SIA "EVOPIPES"



SIA "EVOPIPES"
Langervaldes str. 2a, Jelgava, LV-3002, Latvia
Company reg. No.: 50003728871
Phone: +371 63094300
E-mail: info@evopipes.lv
Website: www.evopipes.lv

FILE NAME:
EN.DN600.500.D400.SS.OD.SM.PIPE.dwg

SHEET: 1 OF 1

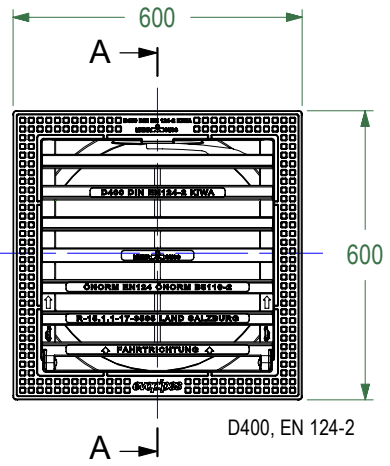
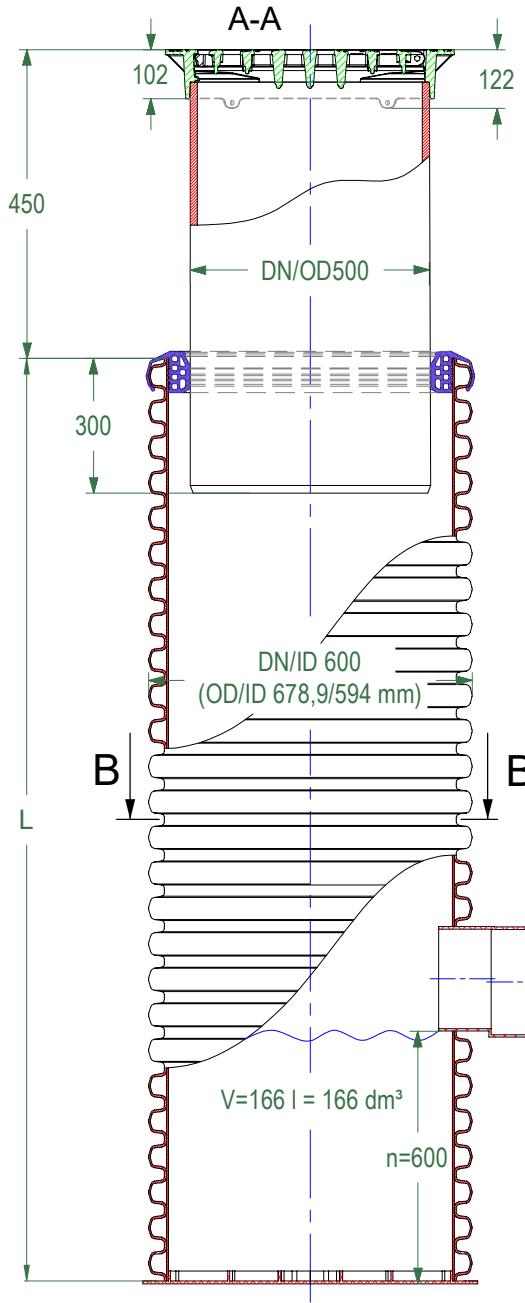
SHEET FORMAT: @ A4

SCALE:
WITHOUT SCALE

STAGE:
STANDARD DRAWING

DN600.500.D400.SS.OD.PR.PIPE

DRAWING No.:	VERSION	REVISION	REVISION STATUS
EN.DN600.500.D400.SS.OD.PR.PIPE	EN	1	ACTUAL

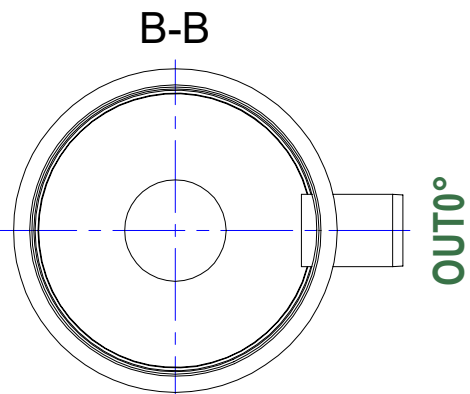
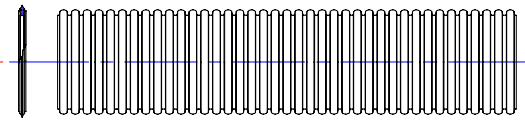


Waterway area: **1965 cm²**

Water inlet throughput (Qr) at precipitation layer height:

- H=10 mm - 43 l/s H=40 mm - 87 l/s
- H=20 mm - 62 l/s H=50 mm - 98 l/s
- H=30 mm - 76 l/s

PP DN/OD, EN 13476-2,
EN 1852-1, EN 14758-1



DN110, 160, 200, 250, 315, 400 mm

This drawing is not suitable for the design and construction of other objects without the consent of SIA "EVOPIPES"



SIA "EVOPIPES"
Langervaldes str. 2a, Jelgava, LV-3002, Latvia
Company reg. No.: 50003728871
Phone: +371 63094300
E-mail: info@evopipes.lv
Website: www.evopipes.lv

FILE NAME:
EN.DN600.500.D400.SS.OD.PR.PIPE.dwg
SHEET: 1 OF 1

SHEET FORMAT: @ A4

SCALE:
WITHOUT SCALE
STAGE:
STANDARD DRAWING