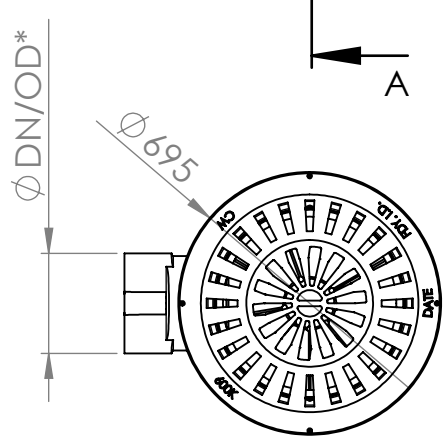
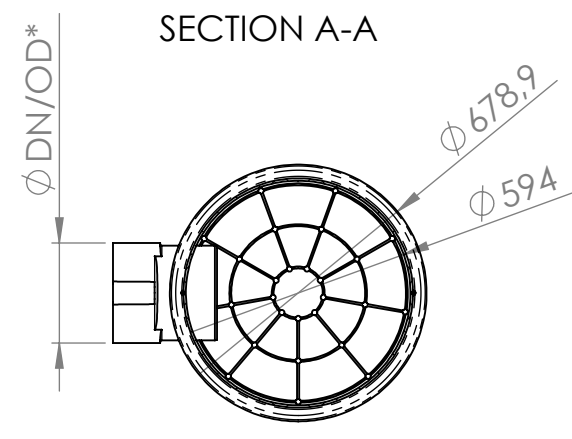



SECTION A-A

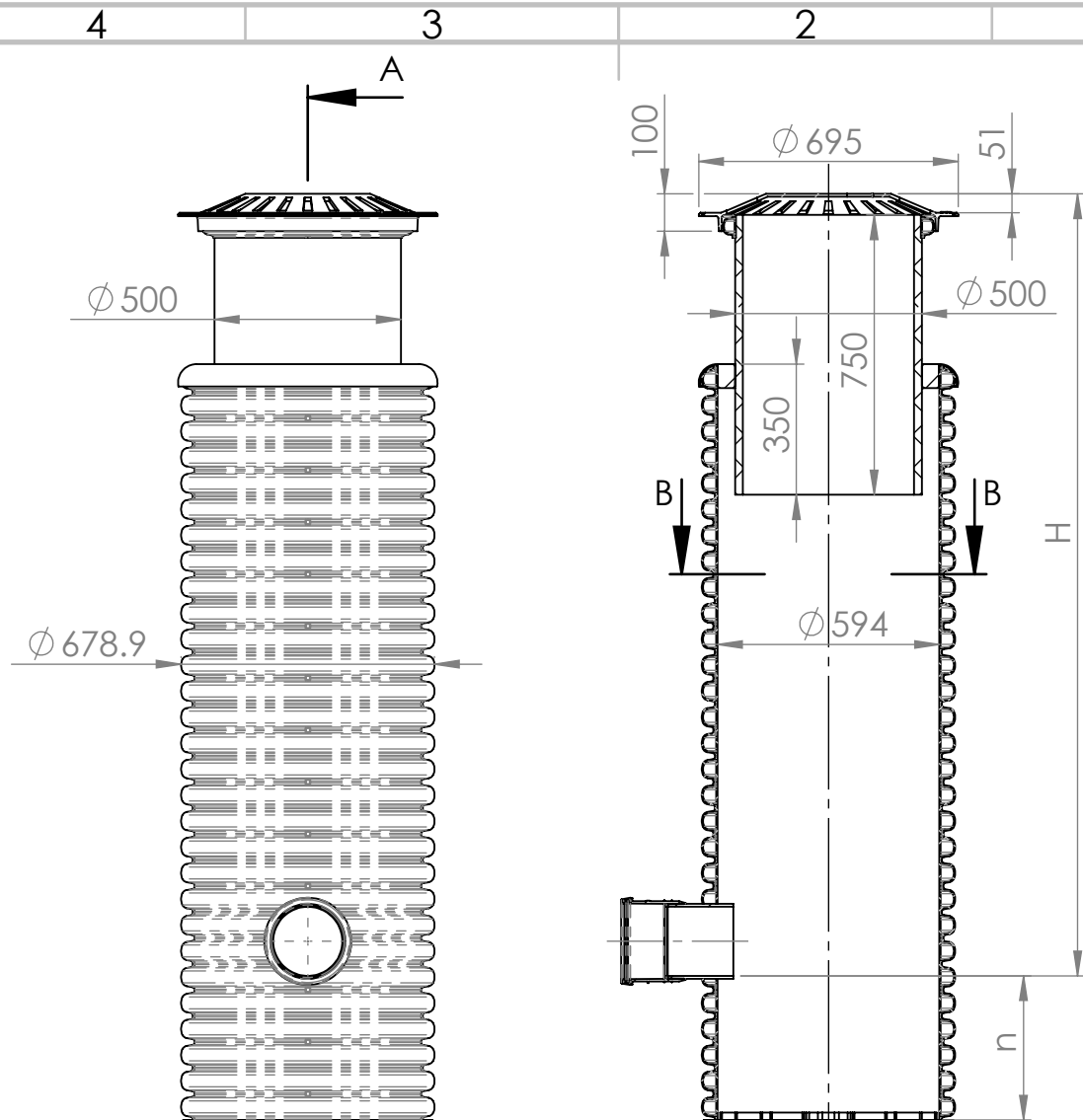


SECTION B-B

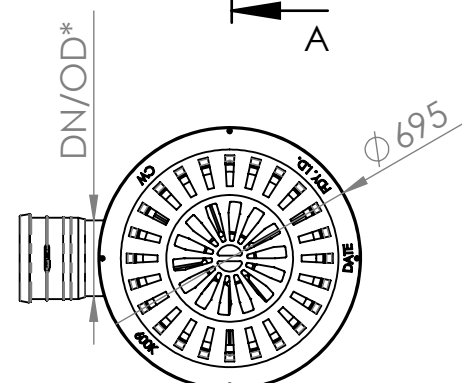


* Connection for corrugated drainage pipe (EN 13476-3) DN/OD - 160, 200, 250, 315, 400 mm

DRAWN	SIGNATURE	DATE 30.05.2022	FORMAT A4	SCALE 1:20	 Langervaldes iela 2a, Jelgava, LV-3002, Latvia, Reg. No.: 50003728871	Phone: +371 63094300 E-mail: info@evopipes.lv Web: www.evopipes.lv
APPROVED BY			ORDER No.	PAGE 1 / 1		
DRAWING No. DN 600.500 Drainage gully				REVISION 0	CUSTOMER	
Unless specified otherwise: dimensions are in millimeters do not scale the drawing				This drawing is the property of SIA Evopipes and is protected by a law. This document must not be copied or disclosed to third parties without permission.		




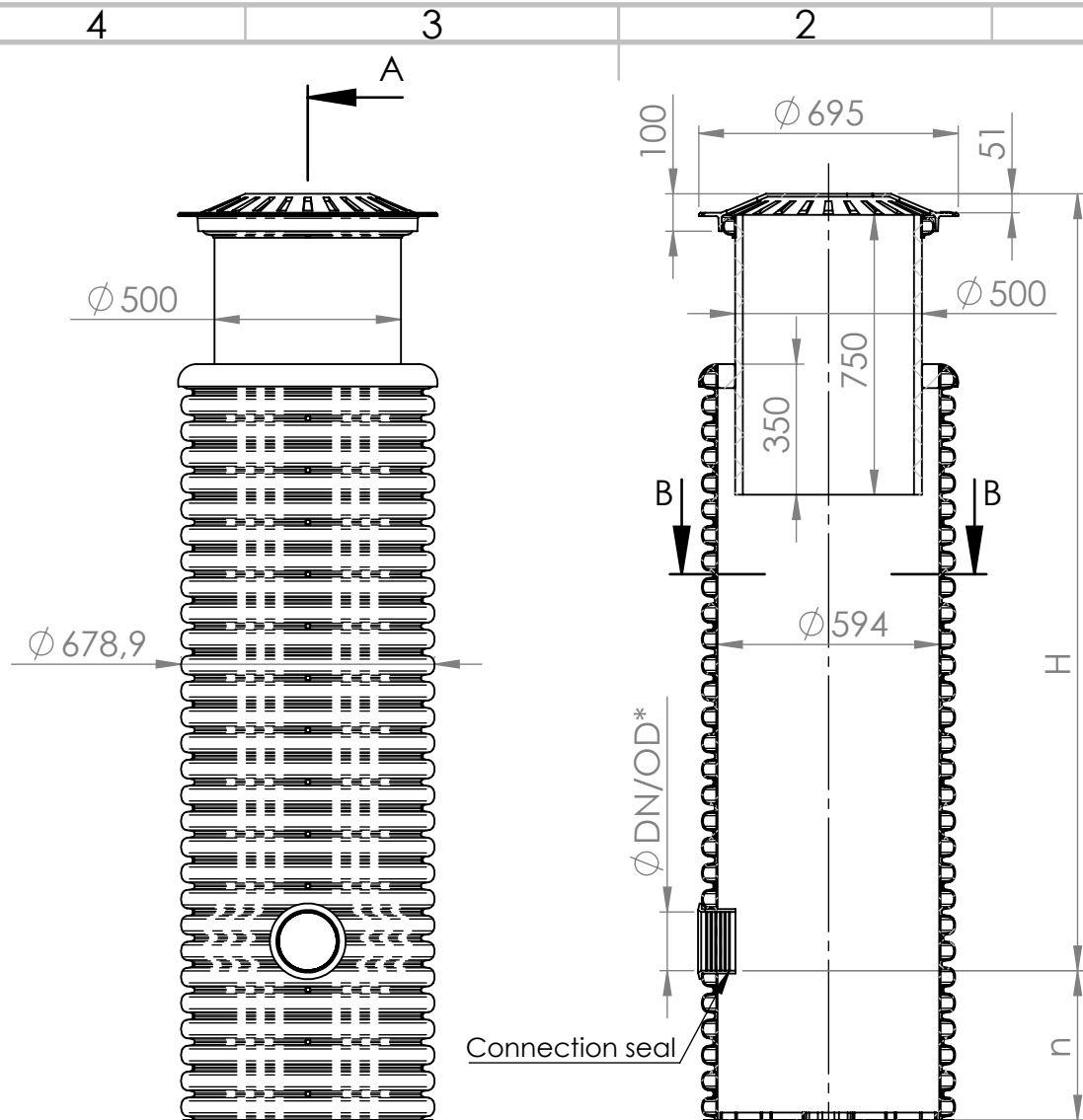
GRIEZUMS A-A



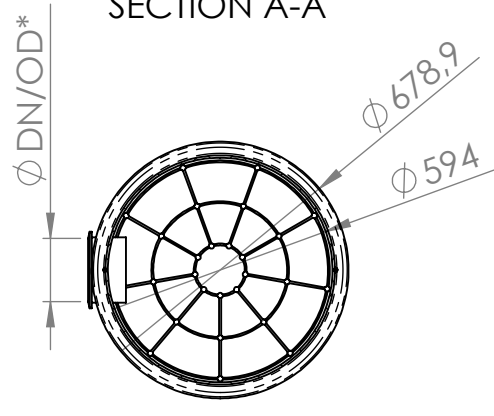
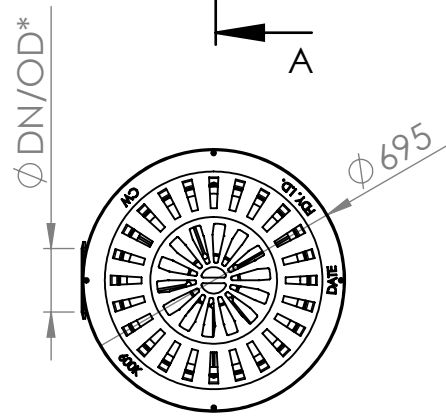
GRIEZUMS B-B

* Connection for smooth pipe DN/OD 110, 160, 200, 250, 315, 400 mm
(EN 13476-2, EN 1852-1, EN 14758-1).

DRAWN	SIGNATURE	DATE 23-Jan-25	FORMAT A4	SCALE 1:20	 Langervaldes iela 2a, Jelgava, LV-3002, Latvia, Reg. No.: 50003728871	Phone: +371 63094300 E-mail: info@evopipes.lv Web: www.evopipes.lv
APPROVED BY			ORDER No.	PAGE 1 / 1		
DRAWING No. DN 600.500 Drainage gully				REVISION 1	CUSTOMER	
Unless specified otherwise: dimensions are in millimeters do not scale the drawing				This drawing is the property of SIA Evopipes and is protected by a law. This document must not be copied or disclosed to third parties without permission.		




SECTION A-A



SECTION B-B

* Connection seal for corrugated pipe DN/OD 160, 200 mm (EN 13476-3) or smooth pipe DN/OD - 110, 160, 200 mm (EN 13476-2, EN 1852-1, EN 14758-1).

DRAWN	SIGNATURE	DATE 30.05.2022	FORMAT A4	SCALE 1:20	 Langervaldes iela 2a, Jelgava, LV-3002, Latvia, Reg. No.: 50003728871	Phone: +371 63094300 E-mail: info@evopipes.lv Web: www.evopipes.lv
APPROVED BY		ORDER No.	PAGE 1 / 1	PRODUCT		
DRAWING No. DN 600.500 Drainage gully				REVISION 0	CUSTOMER	
Unless specified otherwise: dimensions are in millimeters do not scale the drawing				This drawing is the property of SIA Evopipes and is protected by a law. This document must not be copied or disclosed to third parties without permission.		