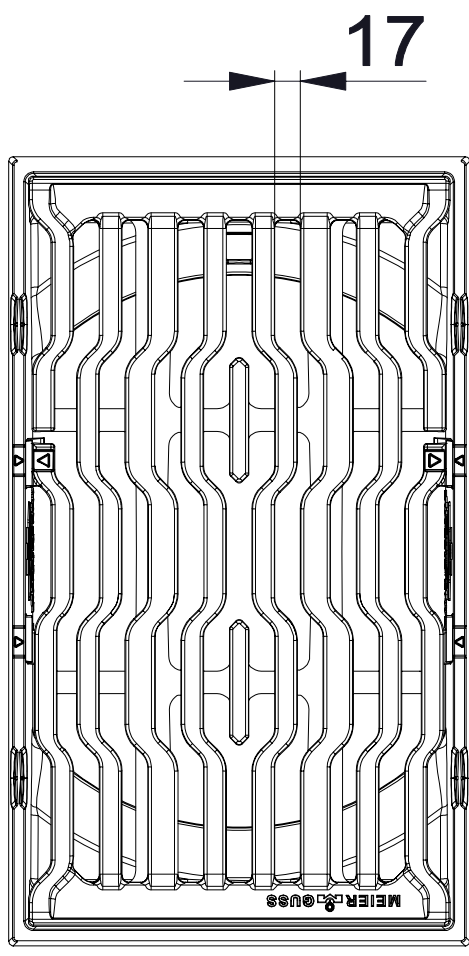
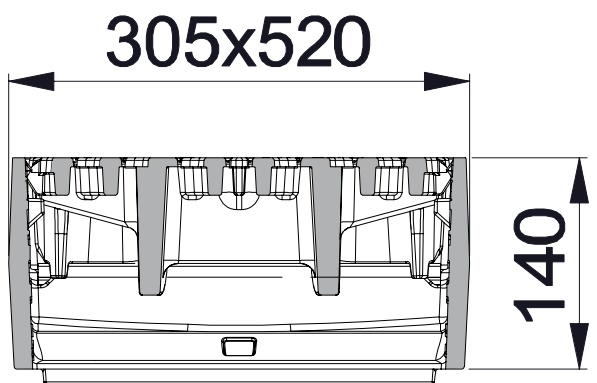


| DRAWING No.: | VERSION | REVISION | REVISION STATUS |
|-----------------------|---------|----------|-----------------|
| MEIDRAIN 300 X 500 MM | EN | 1 | ACTUAL |



Stationary type grate MEIDRAIN 300 x 500

Conformity: EN124-2, RAL-GZ692
 Construction class: D400
 Material: cast iron
 Weight: 47,5 kg
 Inlet cross section area: 653 cm²
 Distance between grating: 17 mm

MEIER & GUSS



SIA "EVOPIPES"
 Langervaldes str. 2a, Jelgava, LV-3002, Latvia
 Company reg. No.: 50003728871
 Phone: +371 63094300
 E-mail: info@evopipes.lv
 Website: www.evopipes.lv

FILE NAME:
 MEIDRAIN 300 x 500 mm.dwg
 SHEET: 1 OF 1
 SHEET FORMAT: @ A4

SCALE:
 WITHOUT SCALE
 STAGE:
 STANDARD DRAWING