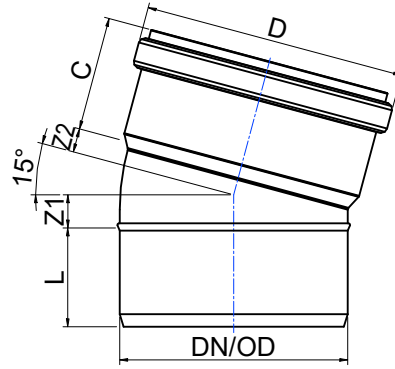


| DRAWING No.: | VERSION | REVISION | REVISION STATUS |
|--------------------------|---------|----------|-----------------|
| ELBOW PP 15DEG DN110-400 | EN | 1 | ACTUAL |



| DN/OD, mm | D, mm | C, mm | L, mm | Z1, mm | Z2, mm |
|-----------|--------|-------|-------|--------|--------|
| Ø110 | Ø127 | 62 | 64 | 7 | 12 |
| Ø160 | Ø184 | 74 | 74 | 19 | 17 |
| Ø200 | Ø232 | 100 | 117 | 19,6 | 46,8 |
| Ø250 | Ø290,8 | 123 | 144 | 27 | 60 |
| Ø315 | Ø361,1 | 146 | 171 | 33 | 74 |
| Ø400 | Ø455,3 | 173 | 209 | 38 | 96 |



SIA "EVOPIPES"
 Langervaldes str. 2a, Jelgava, LV-3002, Latvia
 Company reg. No.: 50003728871
 Phone: +371 63094300
 E-mail: info@evopipes.lv
 Website: www.evopipes.lv

FILE NAME:
 ELBOW PP 15DEG DN110-400

SHEET: 1 OF 1

SHEET FORMAT: @A4

SCALE:
 WITHOUT SCALE
 STAGE:
 STANDARD DRAWING