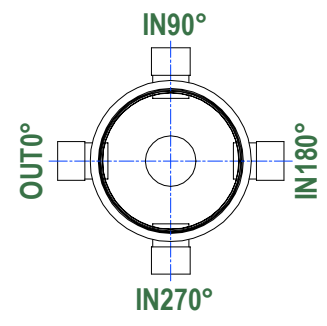
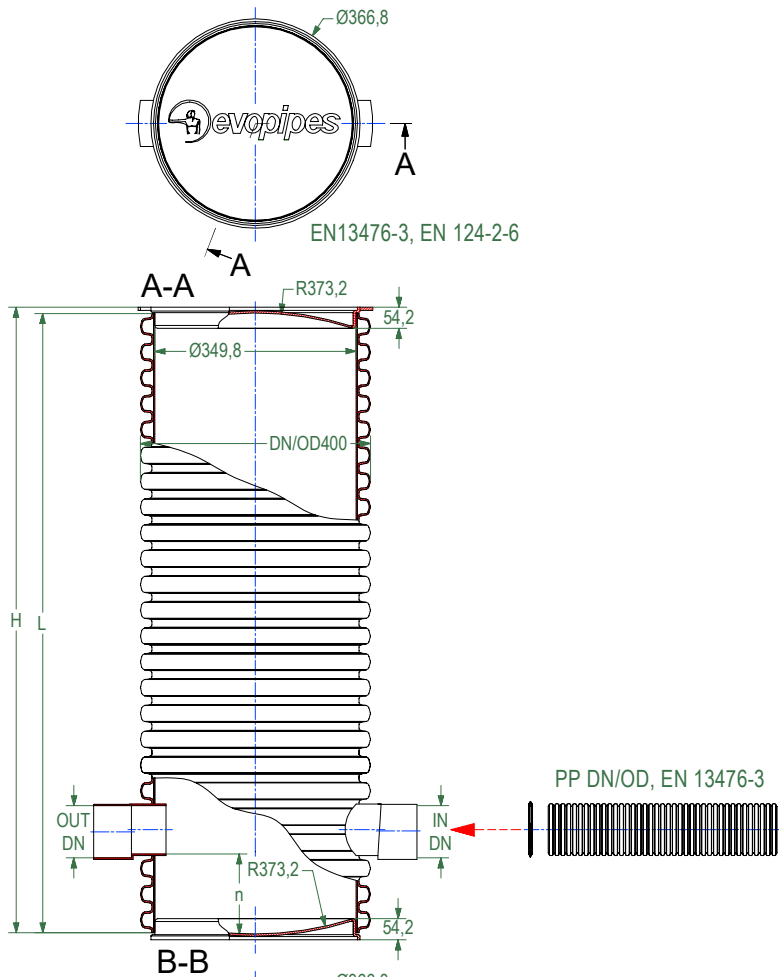


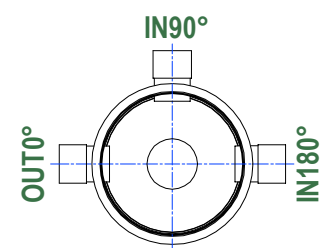
DRAWING No.:	VERSION	REVISION	REVISION STATUS
CID 400	EN	1	ACTUAL

DN400.OD.PR

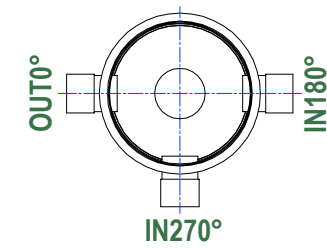
**PLACES OUTSIDE TRAFFIC LOAD
IMPACT ZONES (GREEN AREAS)**



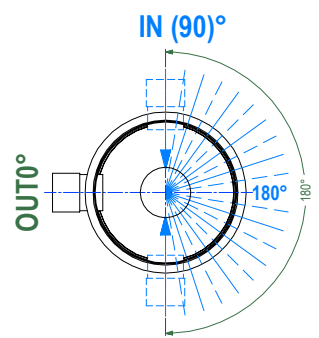
OUT0° / IN90° / IN180° IN270°
DN110, 160, 200, 250 mm



OUT0° / IN90° / IN180°
DN110, 160, 200, 250 mm

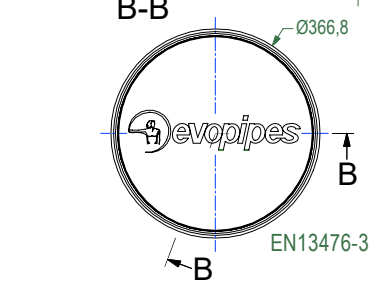


OUT0° / IN180° IN270°
DN110, 160, 200, 250 mm



IN (270°)
OUT0° / IN(90 - 270°)
DN110, 160, 200, 250 mm

IN - requested connection in desirable angle



OUT0° / IN180°
DN110, 160, 200, 250, 315 mm

Šis rasējums ir SIA Evopipes intelektuālais īpašums / This drawing is the property of SIA Evopipes and is protected by law.



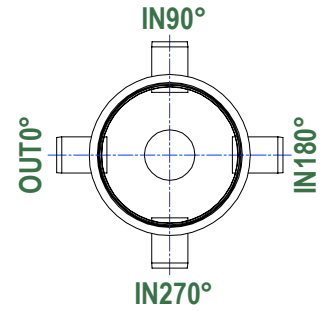
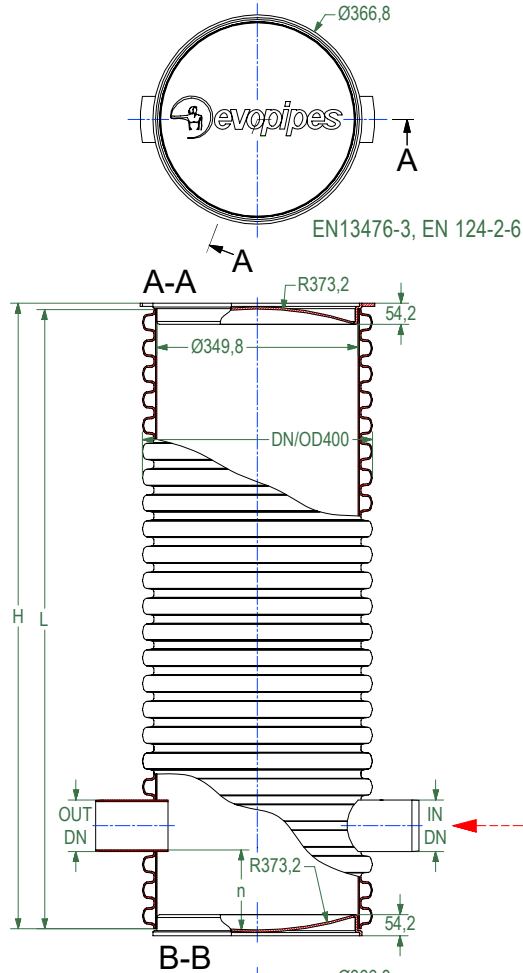
SIA "EVOPIPES"
Langervaldes str. 2a, Jelgava, LV-3002, Latvia
Company reg. No.: 50003728871
Phone: +371 63094300
E-mail: info@evopipes.lv
Website: www.evopipes.lv

FILE NAME: CID 400	SCALE: WITHOUT SCALE
SHEET: 1 OF 1	STAGE: STANDARD DRAWING
SHEET FORMAT: @ A4	

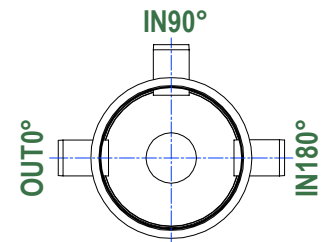
DRAWING No.:	VERSION	REVISION	REVISION STATUS
CID 400	EN	1	ACTUAL

DN400.OD.SM

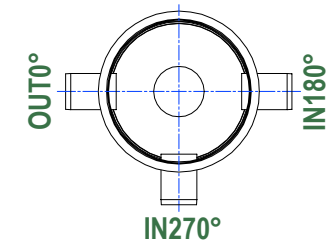
PLACES OUTSIDE TRAFFIC LOAD
IMPACT ZONES (GREEN AREAS)



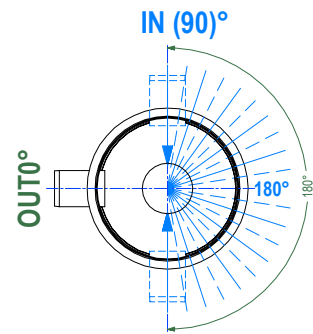
IN270°
OUT0° / IN90° / IN180° IN270°
DN110, 160, 200, 250 mm



OUT0° / IN90° / IN180°
DN110, 160, 200, 250 mm

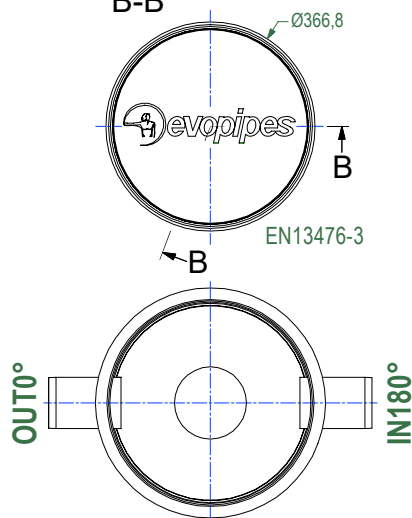


OUT0° / IN180° IN270°
DN110, 160, 200, 250 mm



IN (270)°
OUT0° / IN(90 - 270)°
DN110, 160, 200, 250 mm

IN - requested connection in desirable angle



OUT0° / IN180°
DN110, 160, 200, 250, 315 mm

Šis rasējums ir SIA Evopipes intelektuālais īpašums / This drawing is the property of SIA Evopipes and is protected by law.



SIA "EVOPIPES"
Langervaldes str. 2a, Jelgava, LV-3002, Latvia
Company reg. No.: 50003728871
Phone: +371 63094300
E-mail: info@evopipes.lv
Website: www.evopipes.lv

FILE NAME:
CID 400

SHEET: 1 OF 1

SHEET FORMAT: @ A4

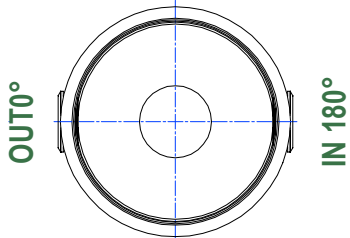
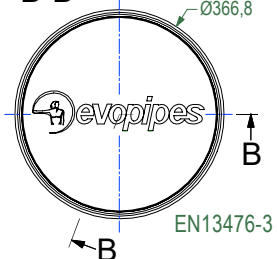
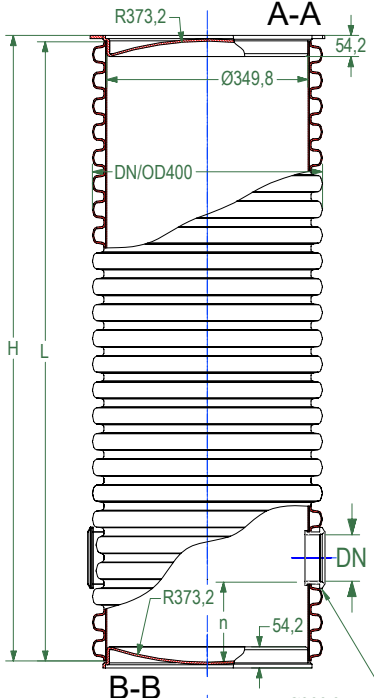
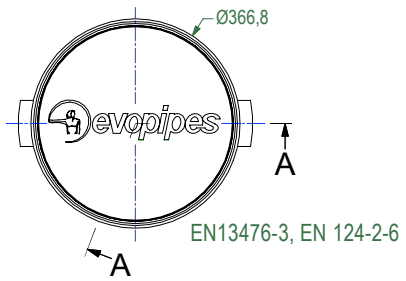
SCALE:
WITHOUT SCALE

STAGE:
STANDARD DRAWING

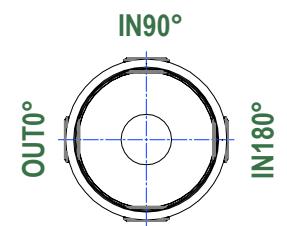
DRAWING No.:	VERSION	REVISION	REVISION STATUS
CID 400	EN	1	ACTUAL

DN400.OD.RB

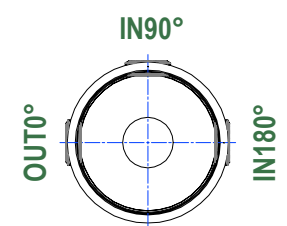
**PLACES OUTSIDE TRAFFIC LOAD
IMPACT ZONES (GREEN AREAS)**



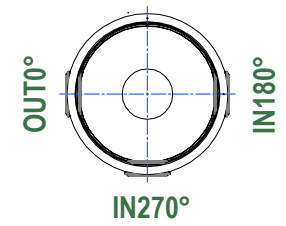
OUT0° / IN180°
DN110, 160, 200 mm



IN270°
OUT0° / IN90° / IN180° IN270°
DN110, 160, 200 mm

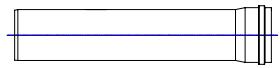


OUT0° / IN90° / IN180°
DN110, 160, 200 mm

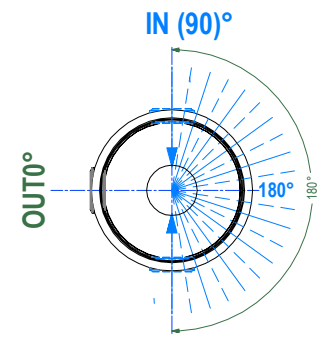


OUT0° / IN180° IN270°
DN110, 160, 200 mm

DN/OD, EN 13476-2,
EN 1852-1, EN 14758-1



DN/OD, EN 13476-3



IN (270)°
OUT0° / IN(90 - 270)°
DN110, 160, 200 mm

IN - requested connection in desirable angle

Šis rasājums ir SIA Evopipes intelektuālais īpašums / This drawing is the property of SIA Evopipes and is protected by law.



SIA "EVOPIPES"
Langervaldes str. 2a, Jelgava, LV-3002, Latvia
Company reg. No.: 50003728871
Phone: +371 63094300
E-mail: info@evopipes.lv
Website: www.evopipes.lv

FILE NAME: CID 400	SCALE: WITHOUT SCALE
SHEET: 1 OF 1	STAGE: STANDARD DRAWING
SHEET FORMAT: @ A4	