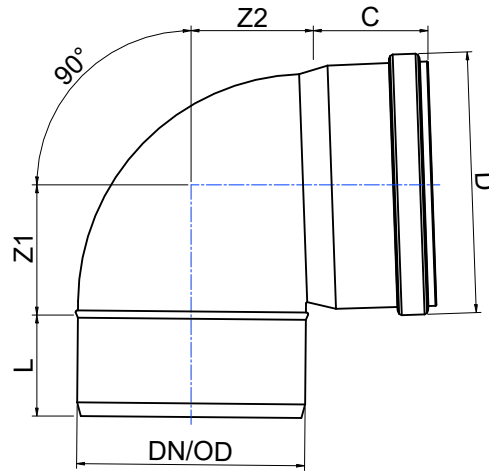


DRAWING No.:	VERSION	REVISION	REVISION STATUS
ELBOW PP 90DEG DN110-315	EN	1	ACTUAL



DN/OD, mm	D, mm	C, mm	L, mm	Z1, mm	Z2, mm
Ø110	Ø127	61	64	47	51
Ø160	Ø184	75	82	75	85
Ø200	Ø229	89	101,5	92	105
Ø250	Ø290,8	123	144	148,5	182
Ø315	Ø361,1	146	171	184	225



SIA "EVOPIPES"  
 Langervaldes str. 2a, Jelgava, LV-3002, Latvia  
 Company reg. No.: 50003728871  
 Phone: +371 63094300  
 E-mail: [info@evopipes.lv](mailto:info@evopipes.lv)  
 Website: [www.evopipes.lv](http://www.evopipes.lv)

FILE NAME:  
 ELBOW PP 90DEG DN110-315

SHEET: 1 OF 1

SHEET FORMAT: @ A4

SCALE:  
 WITHOUT SCALE  
 STAGE:  
 STANDARD DRAWING