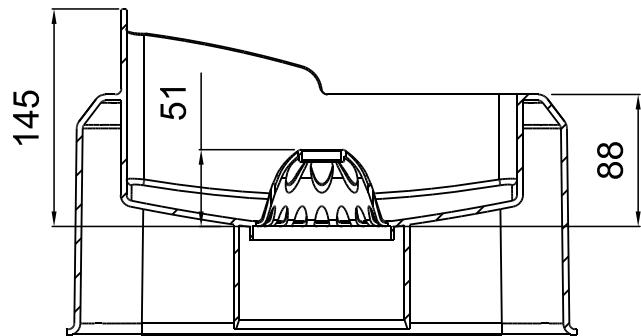
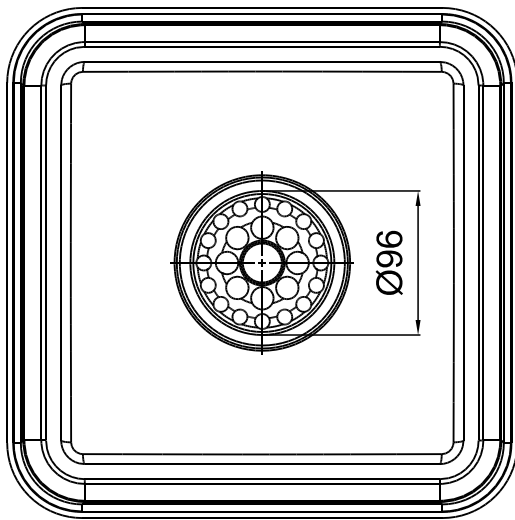
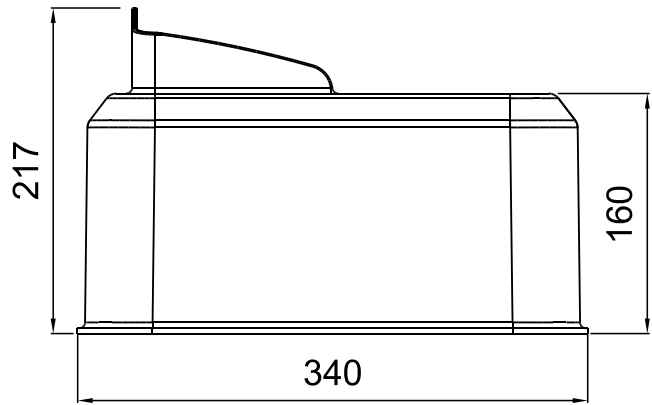
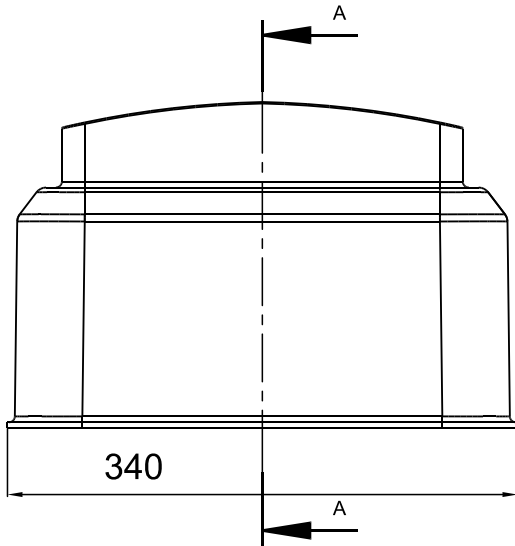


# SQUARE RAINWATER DRAIN 315/110

DRAWING No.:	VERSION	REVISION	REVISION STATUS
SQ.RAIN.DR DN315-110	EN	1	ACTUAL



SECTION A-A



SIA "EVOPIPES"  
 Langervaldes str. 2a, Jelgava, LV-3002, Latvia  
 Company reg. No.: 50003728871  
 Phone: +371 63094300  
 E-mail: [info@evopipes.lv](mailto:info@evopipes.lv)  
 Website: [www.evopipes.lv](http://www.evopipes.lv)

FILE NAME:  
 SQ.RAIN.DR DN315-110.dwg

SHEET: 1 OF 1

SHEET FORMAT: @ A4

SCALE:

1:5

STAGE:  
 STANDARD DRAWING