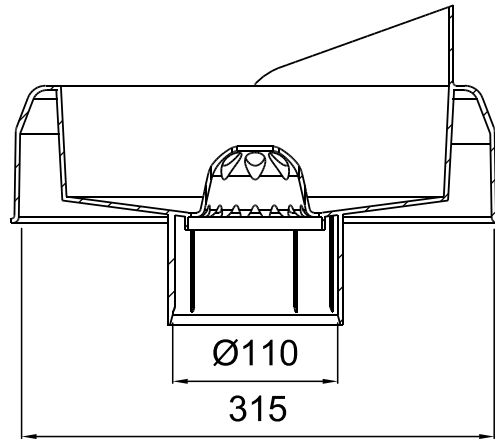
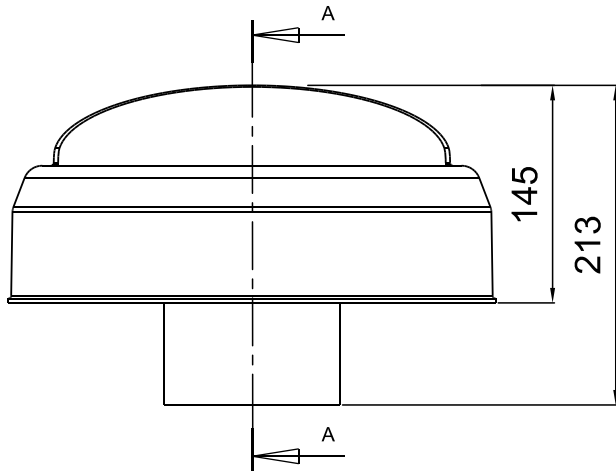
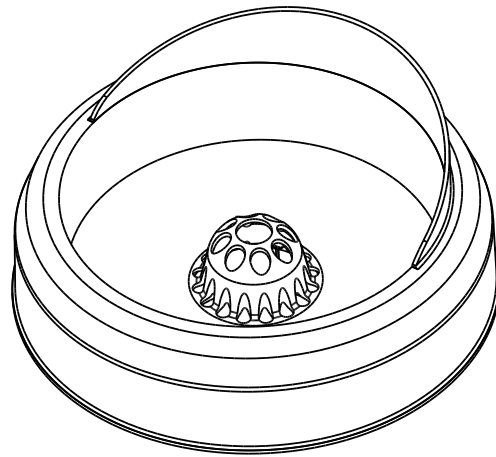
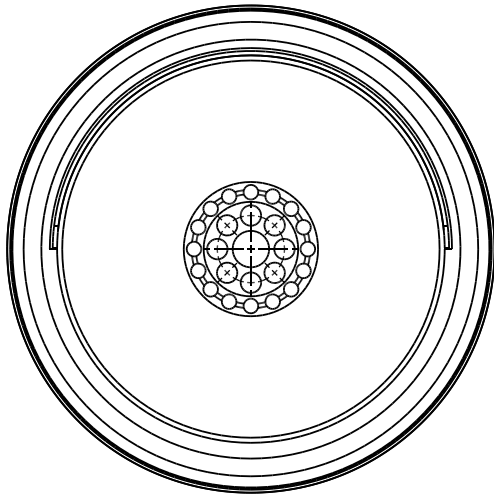


ROUND RAINWATER DRAIN DN315/110

DRAWING No.:	VERSION	REVISION	REVISION STATUS
RO.RAIN.DR DN315-110	EN	1	ACTUAL



SECTION A-A



SIA "EVOPIPES"
 Langervaldes str. 2a, Jelgava, LV-3002, Latvia
 Company reg. No.: 50003728871
 Phone: +371 63094300
 E-mail: info@evopipes.lv
 Website: www.evopipes.lv

FILE NAME:
 RO.RAIN.DR DN315-110.dwg

SHEET: 1 OF 1

SHEET FORMAT: @ A4

SCALE:

1:5

STAGE:
 STANDARD DRAWING