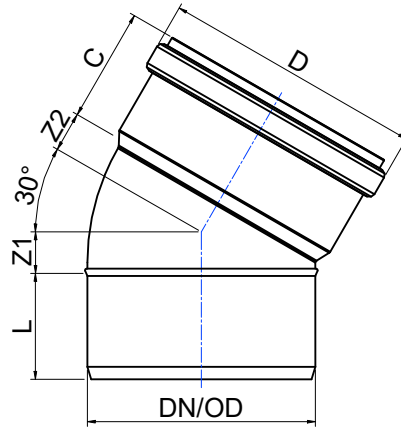


DRAWING No.:	VERSION	REVISION	REVISION STATUS
ELBOW PP 30DEG DN110-400	EN	1	ACTUAL



DN/OD, mm	D, mm	C, mm	L, mm	Z1, mm	Z2, mm
Ø110	Ø135	60	60	18	23
Ø160	Ø184	73	82	23	28
Ø200	Ø228,5	87,5	100	27	39
Ø250	Ø290,8	123	144	47,5	80,5
Ø315	Ø361,1	146	171	58	99
Ø400	Ø455,3	173	209	69	127



SIA "EVOPIPES"
 Langervaldes str. 2a, Jelgava, LV-3002, Latvia
 Company reg. No.: 50003728871
 Phone: +371 63094300
 E-mail: info@evopipes.lv
 Website: www.evopipes.lv

FILE NAME:
 ELBOW PP 30DEG DN110-400

SHEET: 1 OF 1

SHEET FORMAT: @ A4

SCALE:
 WITHOUT SCALE
 STAGE:
 STANDARD DRAWING