
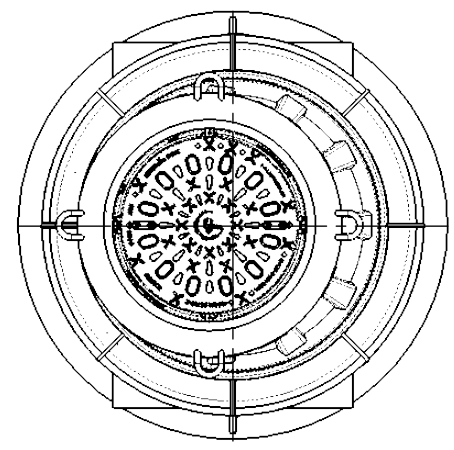
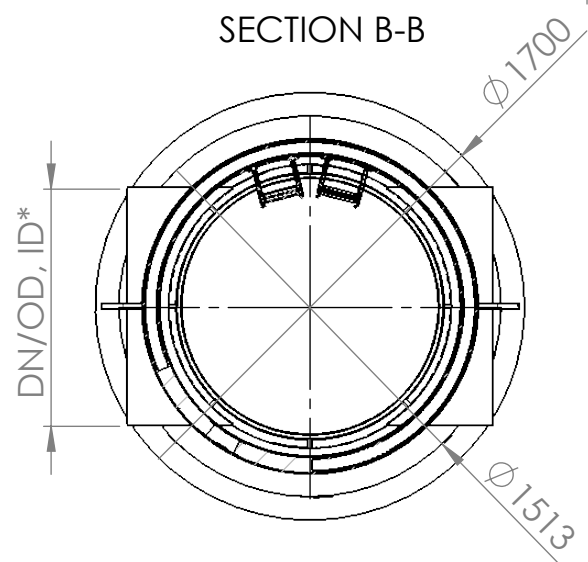
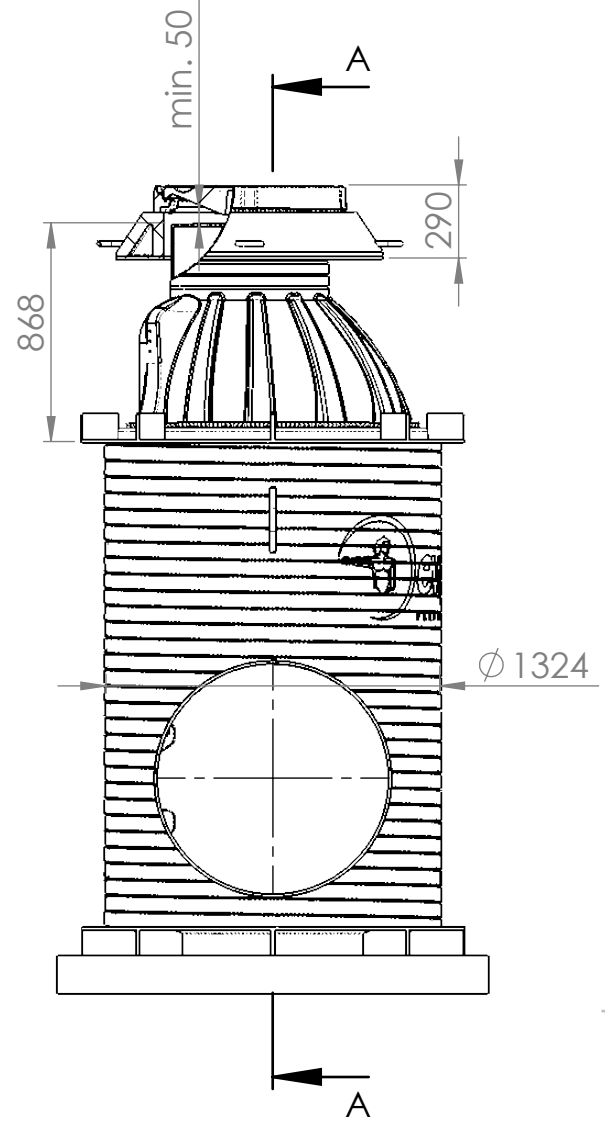
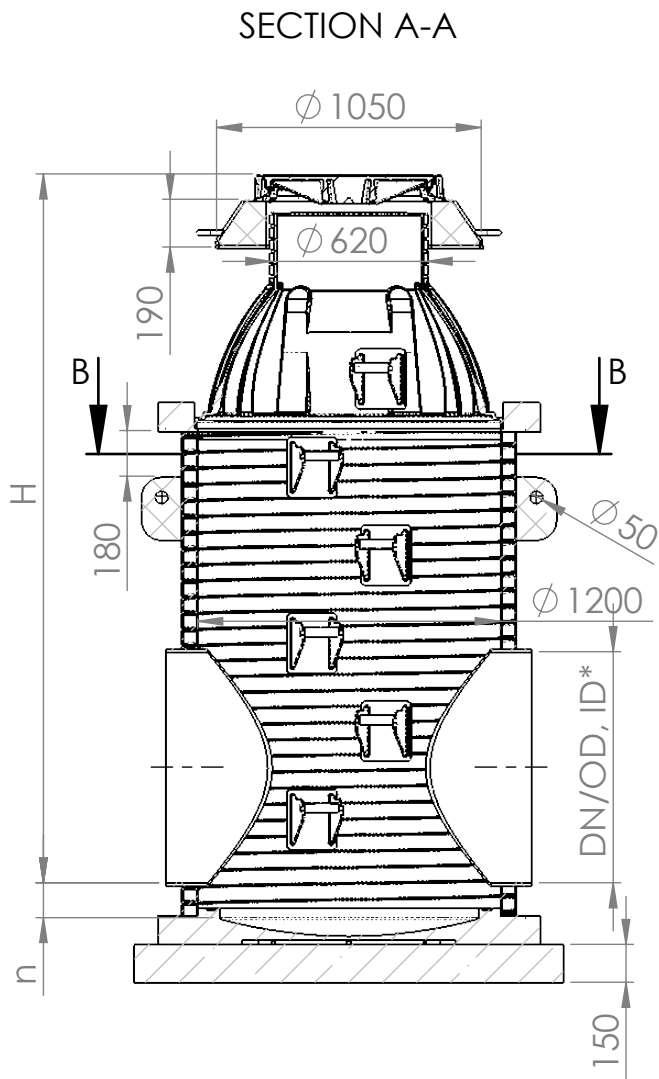


Self-leveling type cover:
EN 124-2, RAL-GZ692

*DN/OD - 110, 160, 200, 250, 315, 400 mm
DN/ID - 300, 400, 500, 600, 800 mm

DRAWN	SIGNATURE	DATE	FORMAT A4	SCALE	 Langervaldes iela 2a, Jelgava, LV-3002, Latvia, Reg. No.: 50003728871	Phone: +371 63094300 E-mail: info@evopipes.lv Web: www.evopipes.lv
APPROVED BY			ORDER No.	PAGE 1 / 1		
DRAWING No. DN_1200_620_SL				REVISION 0	PRODUCT GIGA chamber DN 120 mm	
Unless specified otherwise: dimensions are in millimeters do not scale the drawing				CUSTOMER	This drawing is the property of SIA Evopipes and is protected by a law. This document must not be copied or disclosed to third parties without permission.	



Stationary type cover:
EN 124-2, RAL-GZ692

*DN/OD - 110, 160, 200, 250, 315, 400 mm
DN/ID - 300, 400, 500, 600, 800 mm

DRAWN	SIGNATURE	DATE	FORMAT A4	SCALE
APPROVED BY			ORDER No.	PAGE 1 / 1
DRAWING No. DN_1200_620_S			REVISION 0	CUSTOMER



Langervaldes iela 2a,
Jelgava, LV-3002, Latvia,
Reg. No.: 50003728871

Phone: +371 63094300
E-mail: info@evopipes.lv
Web: www.evopipes.lv

GIGA chamber DN 120 mm

Unless specified otherwise:
dimensions are in millimeters
do not scale the drawing

This drawing is the property of SIA Evopipes and is protected by a law. This document must not be copied or disclosed to third parties without permission.