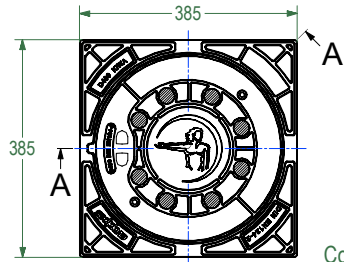


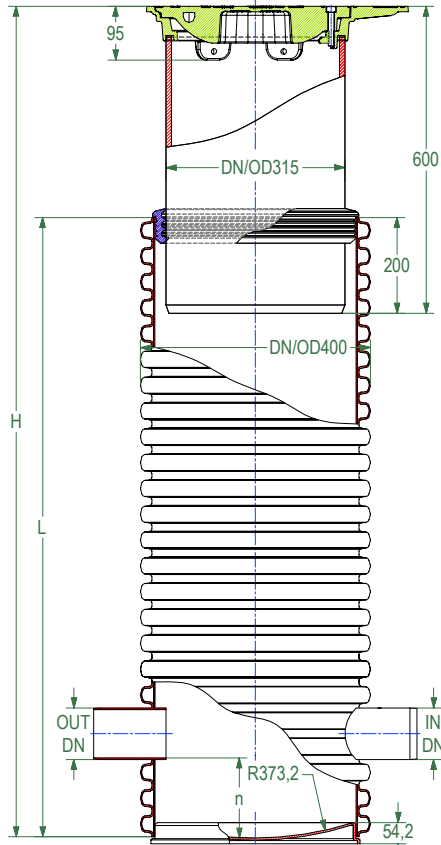
DRAWING No.:	VERSION	REVISION	REVISION STATUS
CID 400.315D	EN	1	ACTUAL

# CID 400.315D.S.SM

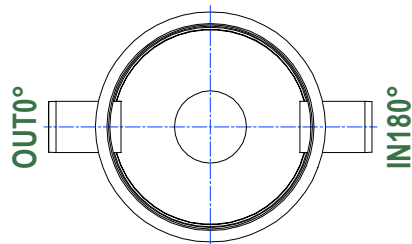
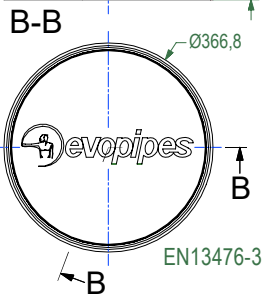


Cover class D400  
acc. to EN 124-2

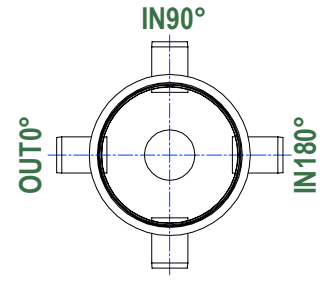
A-A



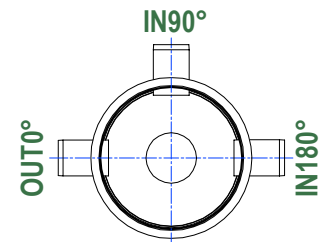
PP DN/OD, EN 13476-2,  
EN 1852-1, EN 14758-1



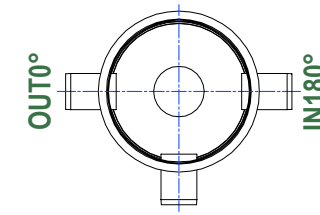
**OUT0° / IN180°**  
DN110, 160, 200, 250, 315 mm



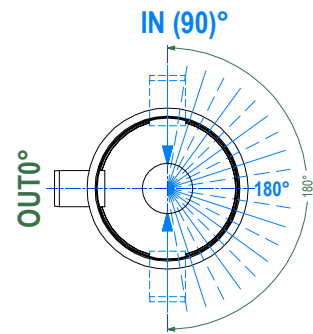
**IN90°**  
**OUT0° / IN90° / IN180° IN270°**  
DN110, 160, 200, 250 mm



**IN90°**  
**OUT0° / IN90° / IN180°**  
DN110, 160, 200, 250 mm



**IN270°**  
**OUT0° / IN180° IN270°**  
DN110, 160, 200, 250 mm



**IN (90°)**  
**OUT0° / IN(90 - 270°)**  
DN110, 160, 200, 250 mm

IN - requested connection in desirable angle

*This drawing is not suitable for the design and construction of other objects without the consent of SIA "EVOPIPES"*



SIA "EVOPIPES"  
Langervaldes str. 2a, Jelgava, LV-3002, Latvia  
Company reg. No.: 50003728871  
Phone: +371 63094300  
E-mail: [info@evopipes.lv](mailto:info@evopipes.lv)  
Website: [www.evopipes.lv](http://www.evopipes.lv)

FILE NAME:  
CID 400.315D

SHEET: 1 of 1

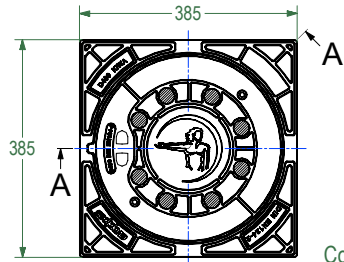
SHEET FORMAT: @ A4

SCALE:  
WITHOUT SCALE

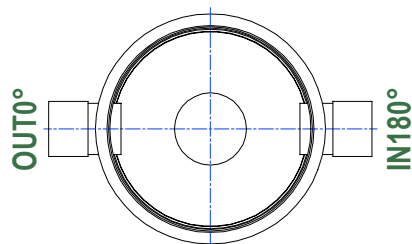
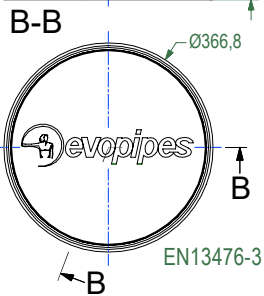
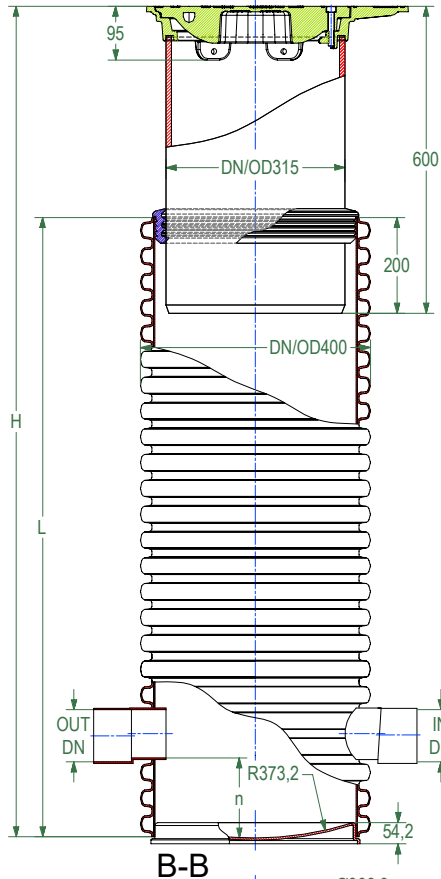
STAGE:  
STANDARD DRAWING

DRAWING No.:	VERSION	REVISION	REVISION STATUS
CID 400.315D	EN	1	ACTUAL

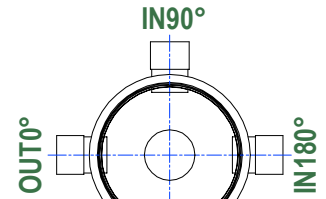
# CID 400.315D.S.PR



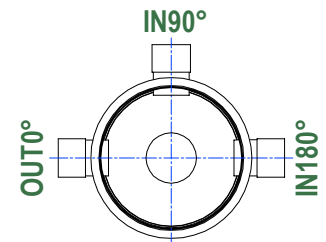
Cover class D400  
acc. to EN 124-2



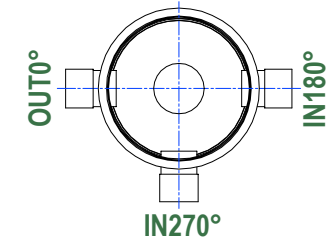
**OUT0° / IN180°**  
DN110, 160, 200, 250, 315 mm



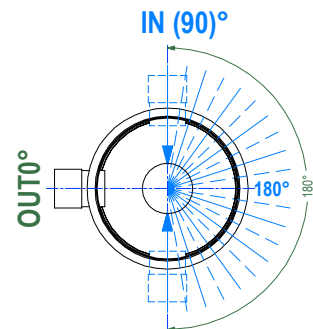
**IN90°**  
**OUT0° / IN90° / IN180° IN270°**  
DN110, 160, 200, 250 mm



**IN90°**  
**OUT0° / IN90° / IN180°**  
DN110, 160, 200, 250 mm



**IN270°**  
**OUT0° / IN180° IN270°**  
DN110, 160, 200, 250 mm



**IN (90)°**  
**OUT0° / IN(90 - 270)°**  
DN110, 160, 200, 250 mm

IN - requested connection in desirable angle

PP DN/OD, EN 13476-3



*This drawing is not suitable for the design and construction of other objects without the consent of SIA "EVOPIPES"*



SIA "EVOPIPES"  
Langervaldes str. 2a, Jelgava, LV-3002, Latvia  
Company reg. No.: 50003728871  
Phone: +371 63094300  
E-mail: [info@evopipes.lv](mailto:info@evopipes.lv)  
Website: [www.evopipes.lv](http://www.evopipes.lv)

FILE NAME:  
CID 400.315D

SHEET: 1 OF 1

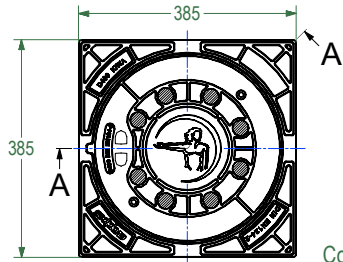
SHEET FORMAT: @ A4

SCALE:  
WITHOUT SCALE

STAGE:  
STANDARD DRAWING

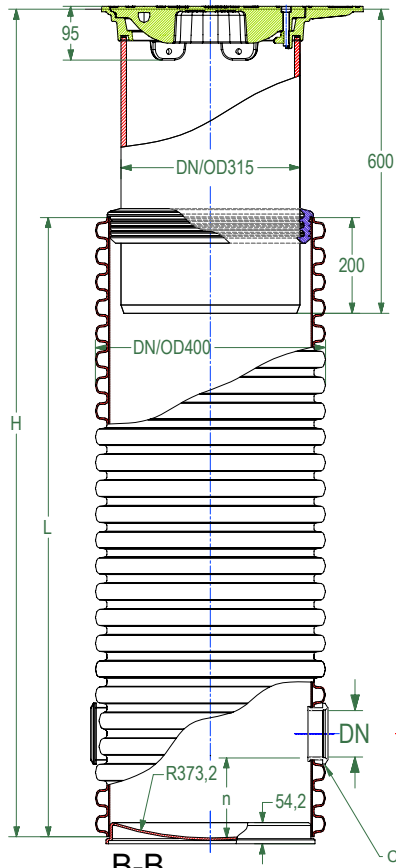
# CID 400.315D.S.RB

DRAWING No.:	VERSION	REVISION	REVISION STATUS
CID 400.315D	EN	1	ACTUAL

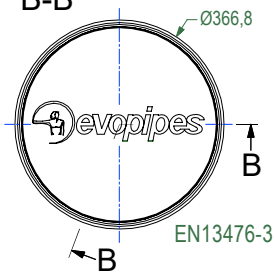


Cover class D400  
acc. to EN 124-2

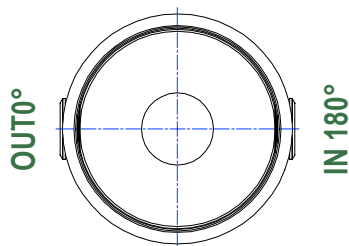
A-A



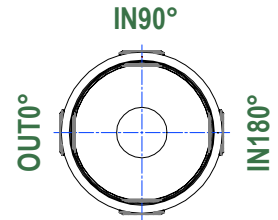
B-B



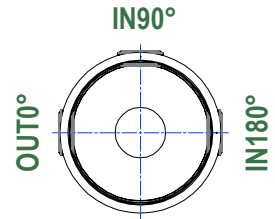
EN13476-3



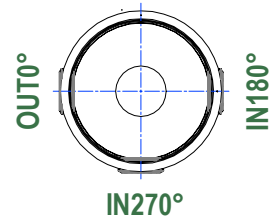
**OUT0° / IN180°**  
DN110, 160, 200 mm



**IN90°**  
**OUT0° / IN90° / IN180° IN270°**  
DN110, 160, 200 mm

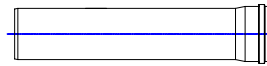


**OUT0° / IN90° / IN180°**  
DN110, 160, 200 mm

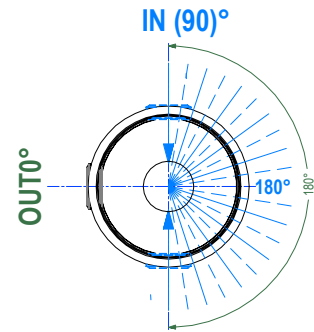


**OUT0° / IN180° IN270°**  
DN110, 160, 200 mm

DN/OD, EN 13476-2,  
EN 1852-1, EN 14758-1



DN/OD, EN 13476-3



**IN (90°)**  
**OUT0° / IN(90 - 270°)**  
DN110, 160, 200 mm

IN - requested connection in desirable angle

*This drawing is not suitable for the design and construction of other objects without the consent of SIA "EVOPIPES"*



SIA "EVOPIPES"  
Langervaldes str. 2a, Jelgava, LV-3002, Latvia  
Company reg. No.: 50003728871  
Phone: +371 63094300  
E-mail: [info@evopipes.lv](mailto:info@evopipes.lv)  
Website: [www.evopipes.lv](http://www.evopipes.lv)

FILE NAME:  
CID 400.315D

SHEET: 1 OF 1

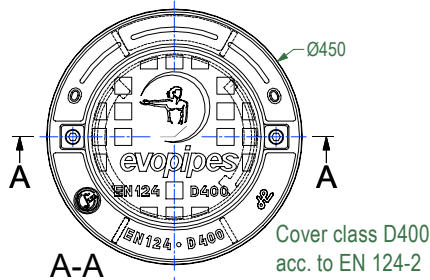
SHEET FORMAT: @ A4

SCALE:  
WITHOUT SCALE

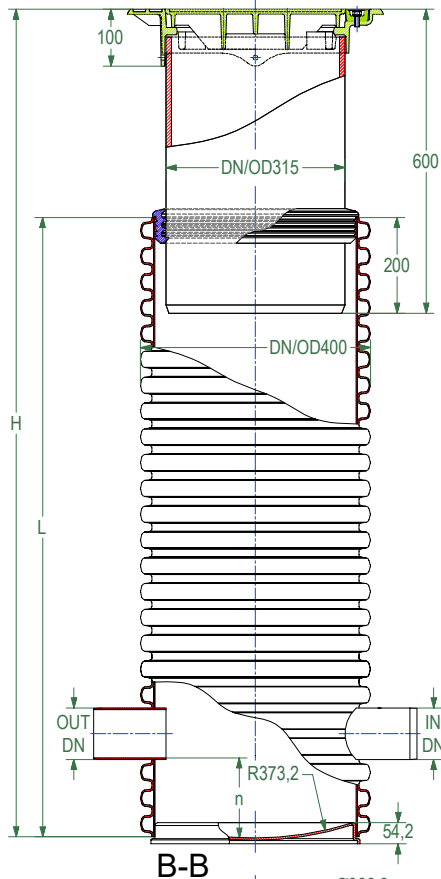
STAGE:  
STANDARD DRAWING

DRAWING No.:	VERSION	REVISION	REVISION STATUS
CID 400.315D	EN	1	ACTUAL

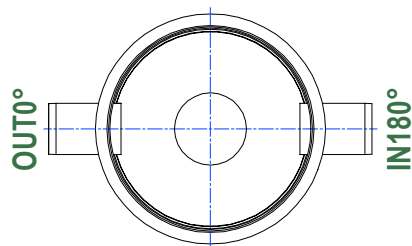
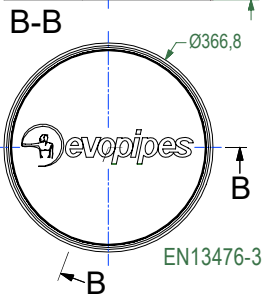
# CID 400.315D.R.SM



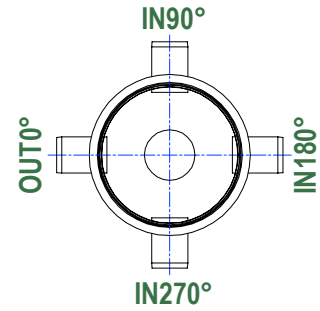
Cover class D400  
acc. to EN 124-2



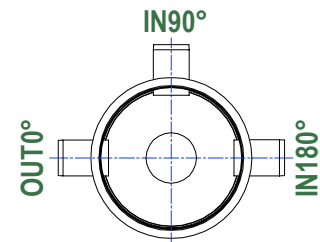
PP DN/OD, EN 13476-2,  
EN 1852-1, EN 14758-1



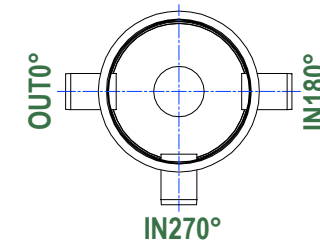
**OUT0° / IN180°**  
DN110, 160, 200, 250, 315 mm



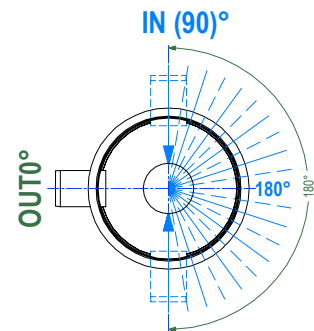
**OUT0° / IN90° / IN180° IN270°**  
DN110, 160, 200, 250 mm



**OUT0° / IN90° / IN180°**  
DN110, 160, 200, 250 mm



**OUT0° / IN180° IN270°**  
DN110, 160, 200, 250 mm



**IN (270)°**  
**OUT0° / IN(90 - 270)°**  
DN110, 160, 200, 250 mm

IN - requested connection in desirable angle

*This drawing is not suitable for the design and construction of other objects without the consent of SIA "EVOPIPES"*



SIA "EVOPIPES"  
Langervaldes str. 2a, Jelgava, LV-3002, Latvia  
Company reg. No.: 50003728871  
Phone: +371 63094300  
E-mail: [info@evopipes.lv](mailto:info@evopipes.lv)  
Website: [www.evopipes.lv](http://www.evopipes.lv)

FILE NAME:  
CID 400.315D

SHEET: 1 OF 1

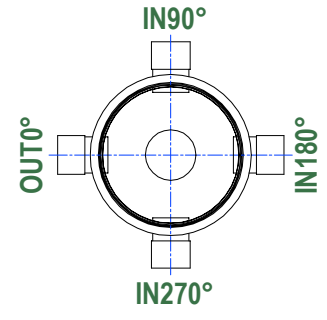
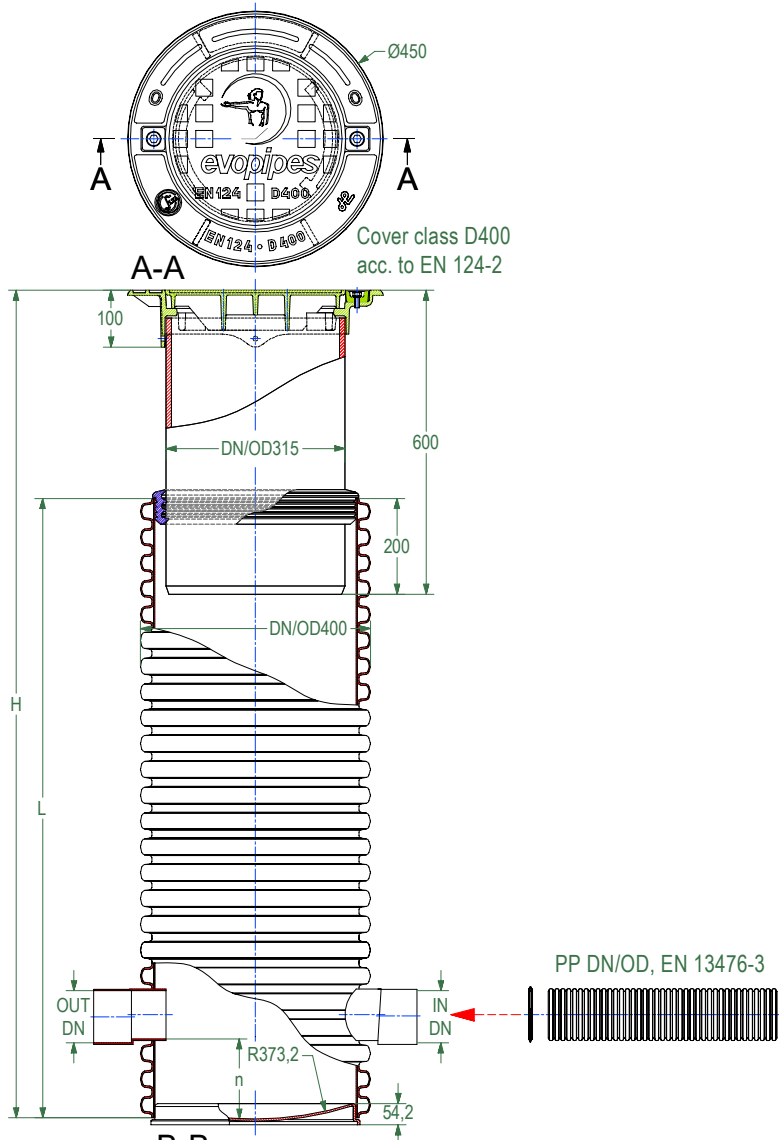
SHEET FORMAT: @ A4

SCALE:  
WITHOUT SCALE

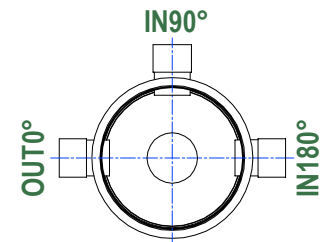
STAGE:  
STANDARD DRAWING

DRAWING No.:	VERSION	REVISION	REVISION STATUS
CID 400.315D	EN	1	ACTUAL

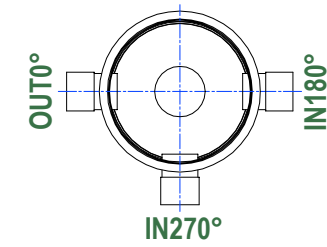
# CID 400.315D.R.PR



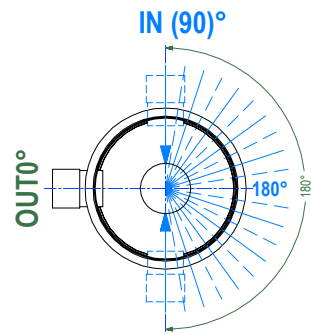
OUT0° / IN90° / IN180° IN270°  
DN110, 160, 200, 250 mm



OUT0° / IN90° / IN180°  
DN110, 160, 200, 250 mm

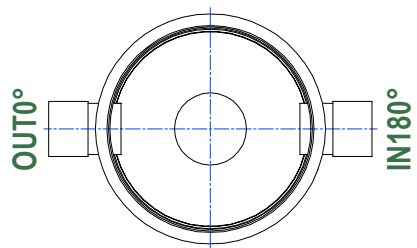
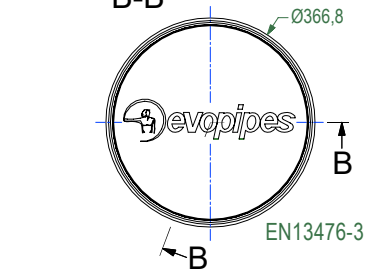


OUT0° / IN180° IN270°  
DN110, 160, 200, 250 mm



IN (270)°  
OUT0° / IN(90 - 270)°  
DN110, 160, 200, 250 mm

IN - requested connection in desirable angle



OUT0° / IN180°  
DN110, 160, 200, 250, 315 mm

*This drawing is not suitable for the design and construction of other objects without the consent of SIA "EVOPIPES"*



SIA "EVOPIPES"  
Langervaldes str. 2a, Jelgava, LV-3002, Latvia  
Company reg. No.: 50003728871  
Phone: +371 63094300  
E-mail: [info@evopipes.lv](mailto:info@evopipes.lv)  
Website: [www.evopipes.lv](http://www.evopipes.lv)

FILE NAME:  
CID 400.315D

SHEET: 1 OF 1

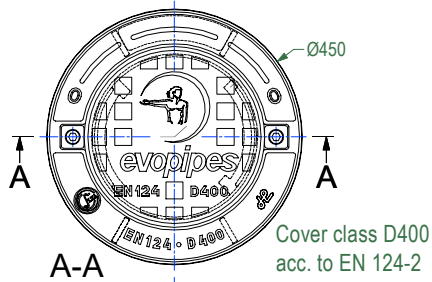
SHEET FORMAT: @ A4

SCALE:  
WITHOUT SCALE

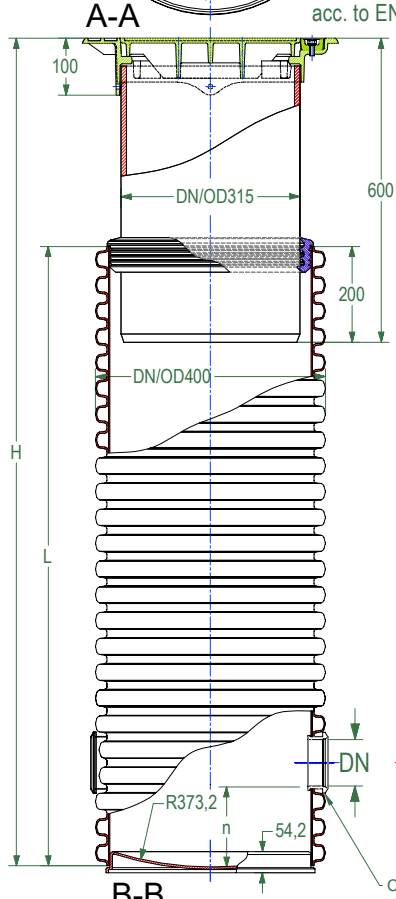
STAGE:  
STANDARD DRAWING

# CID 400.315D.R.RB

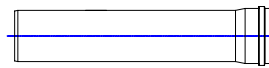
DRAWING No.:	VERSION	REVISION	REVISION STATUS
CID 400.315D	EN	1	ACTUAL



Cover class D400  
acc. to EN 124-2



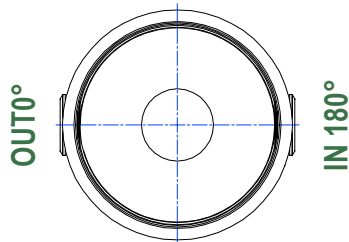
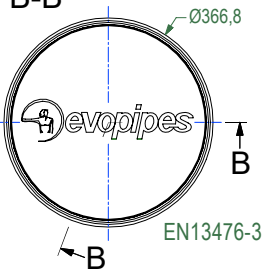
DN/OD, EN 13476-2,  
EN 1852-1, EN 14758-1



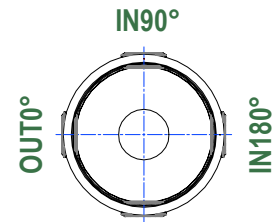
DN/OD, EN 13476-3



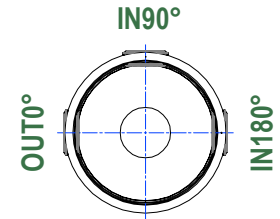
Connection seal



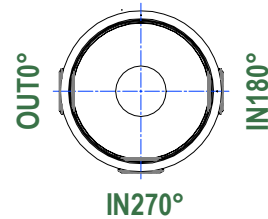
**OUT0° / IN180°**  
DN110, 160, 200 mm



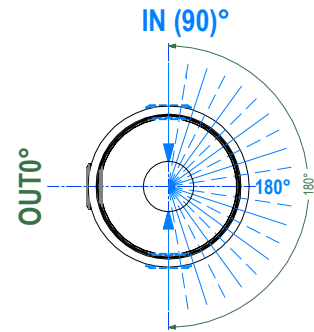
**IN270°**  
**OUT0° / IN90° / IN180° IN270°**  
DN110, 160, 200 mm



**OUT0° / IN90° / IN180°**  
DN110, 160, 200 mm



**OUT0° / IN180° IN270°**  
DN110, 160, 200 mm



**IN (270)°**  
**OUT0° / IN(90 - 270)°**  
DN110, 160, 200 mm

IN - requested connection in desirable angle

*This drawing is not suitable for the design and construction of other objects without the consent of SIA "EVOPIPES"*



SIA "EVOPIPES"  
Langervaldes str. 2a, Jelgava, LV-3002, Latvia  
Company reg. No.: 50003728871  
Phone: +371 63094300  
E-mail: [info@evopipes.lv](mailto:info@evopipes.lv)  
Website: [www.evopipes.lv](http://www.evopipes.lv)

FILE NAME:  
CID 400.315D

SHEET: 1 OF 1

SHEET FORMAT: @ A4

SCALE:  
WITHOUT SCALE

STAGE:  
STANDARD DRAWING