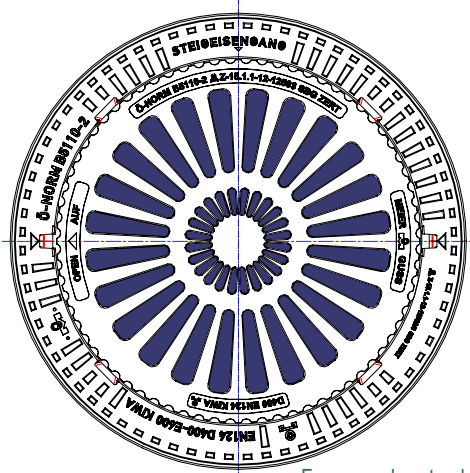
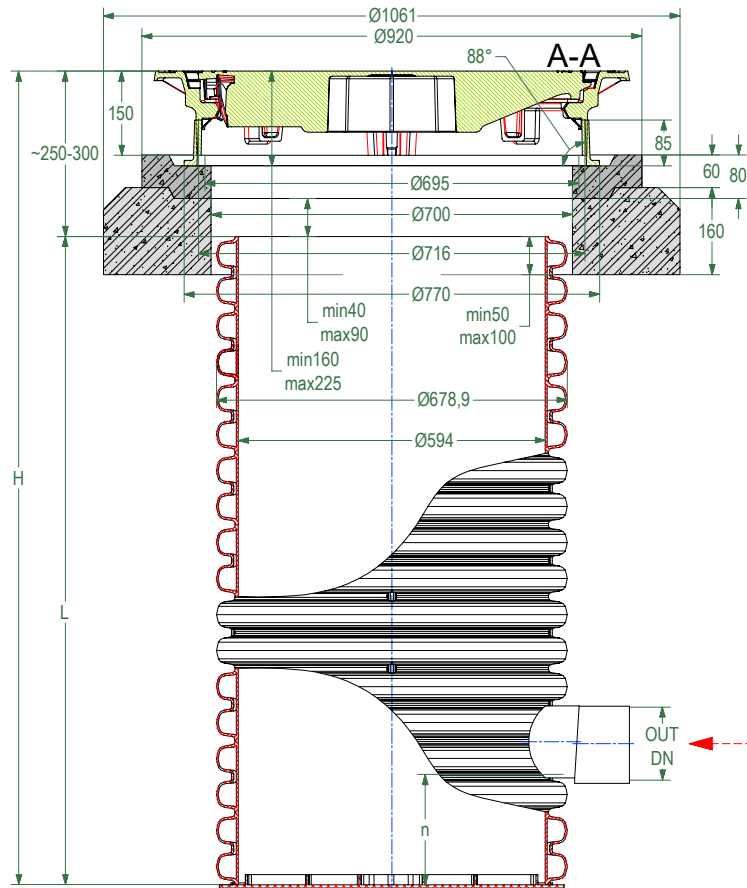


DRAWING No.:	VERSION	REVISION	REVISION STATUS
DN600.G.SL	EN	1	ACTUAL

DN600.G.PR



Frame and grate class D400
acc. to EN 124-2, RAL-GZ692

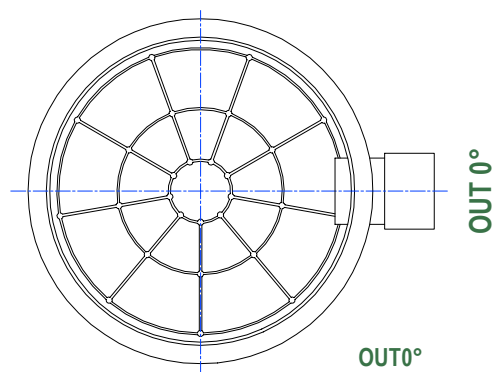
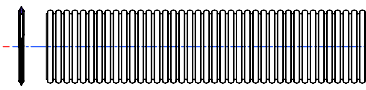


Waterway area: 1028 cm²

Water inlet throughput (Qr) at percipitation layer height (Hn):

- Hn = 10 mm: 27 l/s
- Hn = 20 mm: 39 l/s
- Hn = 30 mm: 47 l/s
- Hn = 40 mm: 55 l/s
- Hn = 50 mm: 61 l/s

DN/OD, EN 13476-3



OUT 0°
DN/OD 110, 160, 200, 250, 315, 400 mm

This drawing is the property of SIA Evopipes and is protected by law.

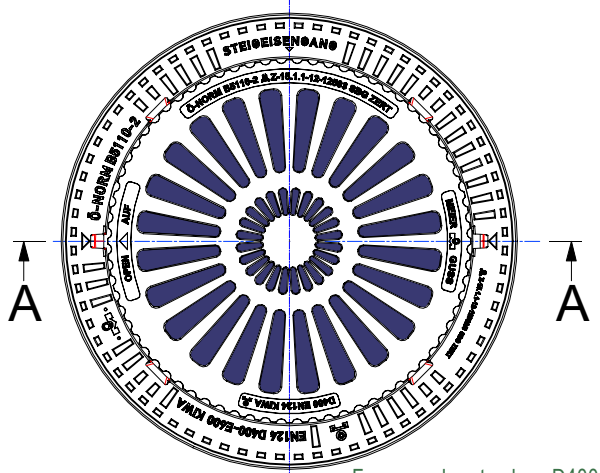


SIA "EVOPIPES"
Langervaldes str. 2a, Jelgava, LV-3002, Latvia
Company reg. No.: 50003728871
Phone: +371 63094300
E-mail: info@evopipes.lv
Website: www.evopipes.lv

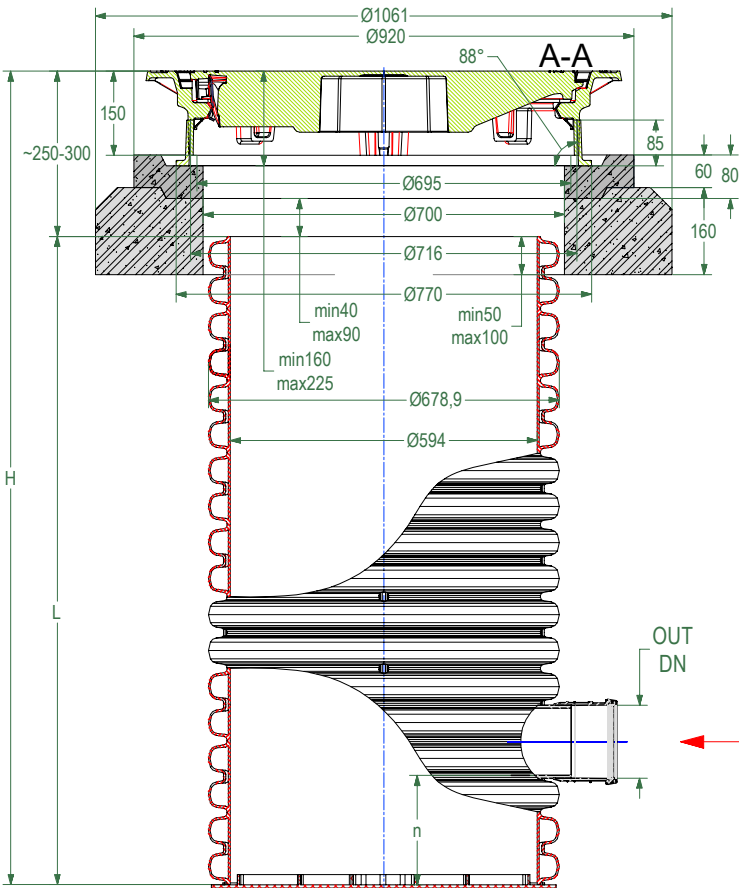
FILE NAME: DN600.G.SL	SCALE: WITHOUT SCALE
SHEET: 1 OF 1	SHEET FORMAT: @ A4
STAGE: STANDARD DRAWING	

DRAWING No.:	VERSION	REVISION	REVISION STATUS
DN600.G.SL	EN	1	ACTUAL

DN600.G.SM



Frame and grate class D400
acc. to EN 124-2, RAL-GZ692



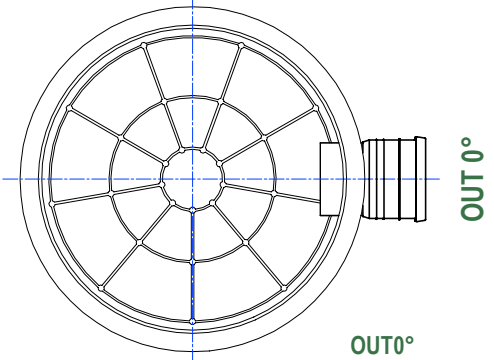
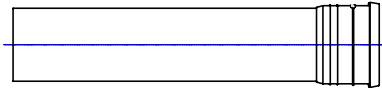
Waterway area: 1028 cm²

Water inlet throughput (Qr) at percipitation layer height (Hn):

- Hn = 10 mm: 27 l/s
- Hn = 20 mm: 39 l/s
- Hn = 30 mm: 47 l/s
- Hn = 40 mm: 55 l/s
- Hn = 50 mm: 61 l/s

OUT
DN

DN/OD, EN 13476-2,
EN 1852-1, EN 14758-1



OUT 0°
DN/OD 110, 160, 200, 250, 315, 400 mm

This drawing is the property of SIA Evopipes and is protected by law.



SIA "EVOPIPES"
Langervaldes str. 2a, Jelgava, LV-3002, Latvia
Company reg. No.: 50003728871
Phone: +371 63094300
E-mail: info@evopipes.lv
Website: www.evopipes.lv

FILE NAME: DN600.G.SL	SCALE: WITHOUT SCALE
SHEET: 1 OF 1	SHEET FORMAT: @ A4
STAGE: STANDARD DRAWING	