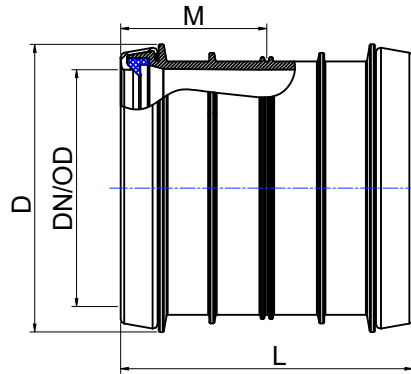


DRAWING No.:	VERSION	REVISION	REVISION STATUS
REPAIRSOCKET PP SIZE DN110-400	EN	1	ACTUAL



DN/OD, mm	D, mm	M, mm	L, mm
Ø110	Ø134,6	68,35	136,7
Ø160	Ø187,9	94	188
Ø200	Ø233,6	120,15	240,3
Ø250	Ø296,2	158,05	316,1
Ø315	Ø366,9	176,65	353,3
Ø400	Ø462	224,5	449



SIA "EVOPIPES"
 Langervaldes str. 2a, Jelgava, LV-3002, Latvia
 Company reg. No.: 50003728871
 Phone: +371 63094300
 E-mail: info@evopipes.lv
 Website: www.evopipes.lv

FILE NAME:
 REPAIRSOCKET PP SIZE DN110-400

SHEET: 1 OF 1

SHEET FORMAT: @ A4

SCALE:
 WITHOUT SCALE
 STAGE:
 STANDARD DRAWING