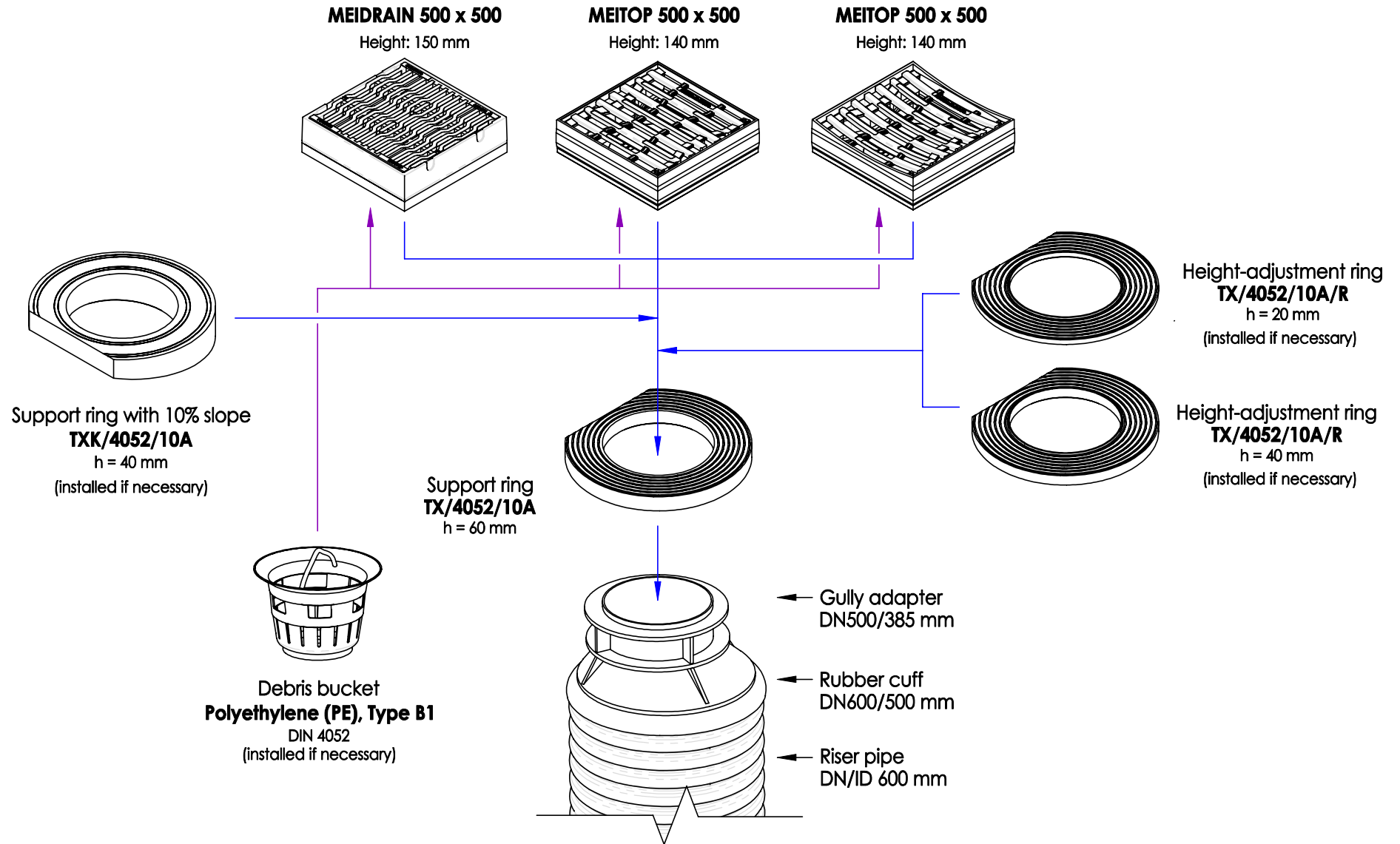


DRAWING No.:	VERSION	REVISION	REVISION STATUS
Restes izbuve ar guliju	EN	1	ACTUAL

# Square stationary type grates with EVOPIPES CRS 600 mm gullies.



SIA "EVOPIPES"  
Langervaldes str. 2a, Jelgava, LV-3002, Latvia  
Company reg. No.: 50003728871  
Phone: +371 63094300  
E-mail: [info@evopipes.lv](mailto:info@evopipes.lv)  
Website: [www.evopipes.lv](http://www.evopipes.lv)

FILE NAME:  
Restes izbuve ar guliju

SHEET: 1 OF 2

SHEET FORMAT: @ A4

SCALE:  
WITHOUT SCALE

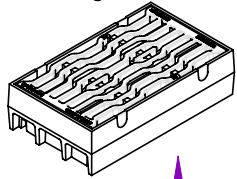
STAGE:  
STANDARD DRAWING

DRAWING No.:	VERSION	REVISION	REVISION STATUS
Restes izbūve ar guliņu	EN	1	ACTUAL

# Rectangular stationary type grates with EVOPIPES CRS 600 mm gullies.

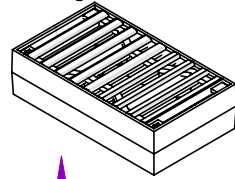
**MEIDRAIN 300 x 500**

Height: 140 mm



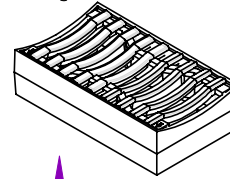
**MEITOP 300 x 520**

Height: 140 mm



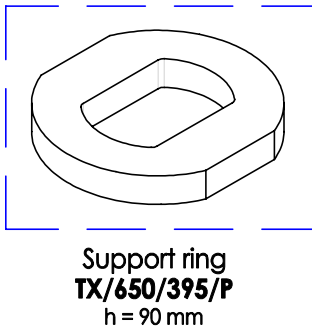
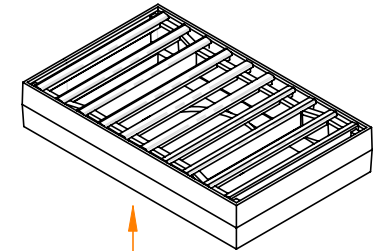
**MEITOP 300 x 520 (G)**

Height: 150 mm



**Grate 495 x 780**

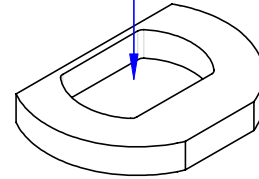
Height: 170 mm



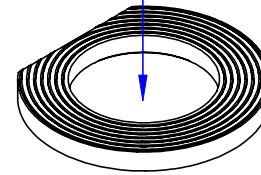
Support ring  
**TX/650/395/P**  
h = 90 mm

(must be cut based on the situation at the construction site)

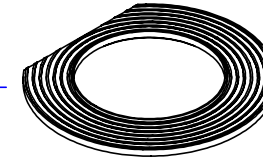
Support ring  
**TX/650/395/P**  
h = 90 mm



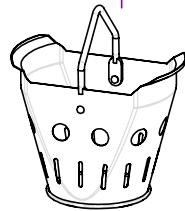
Support ring  
**TX/4052/10A**  
h = 60 mm



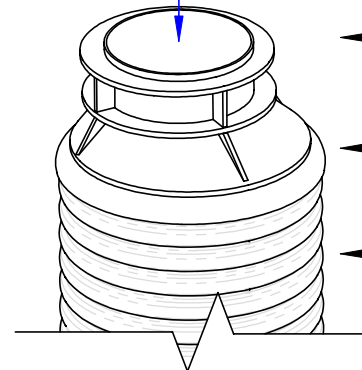
Height-adjustment ring  
**TX/4052/10A/R**  
h = 20 mm  
(installed if necessary)



Height-adjustment ring  
**TX/4052/10A/R**  
h = 40 mm  
(installed if necessary)



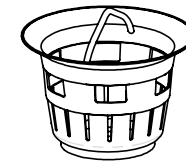
Debris bucket 300x500 mm  
**Steel, Type D1**  
DIN 4052  
(installed if necessary)



← Gully adapter  
DN500/385 mm

← Rubber cuff  
DN600/500 mm

← Riser pipe  
DN/ID 600 mm



Debris bucket  
**Polyethylene (PE), Type B1**  
DIN 4052  
(installed if necessary)



SIA "EVOPIPES"  
Langervaldes str. 2a, Jelgava, LV-3002, Latvia  
Company reg. No.: 50003728871  
Phone: +371 63094300  
E-mail: [info@evopipes.lv](mailto:info@evopipes.lv)  
Website: [www.evopipes.lv](http://www.evopipes.lv)

FILE NAME:  
Restes izbūve ar guliņu

SHEET: 2 OF 2

SHEET FORMAT: @ A4

SCALE:  
WITHOUT SCALE

STAGE:  
STANDARD DRAWING