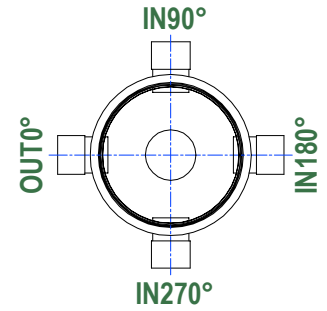
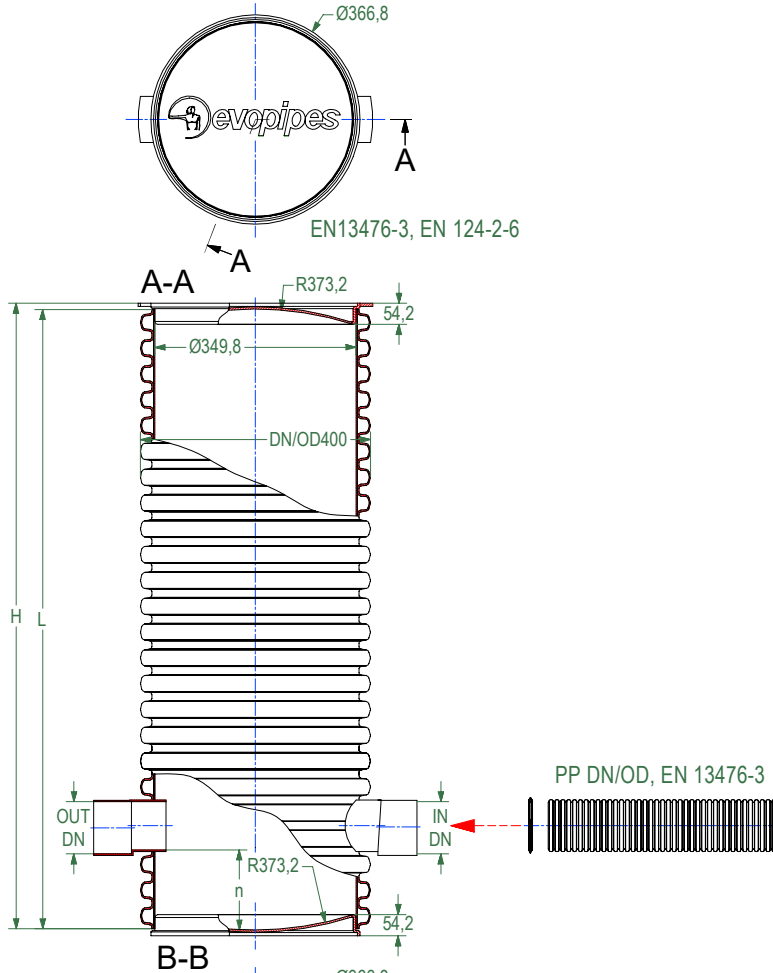


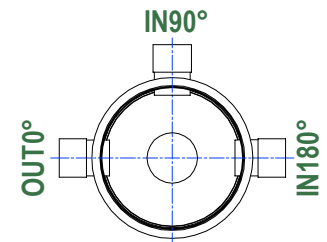
DRAWING No.:	VERSION	REVISION	REVISION STATUS
CID 400	EN	1	ACTUAL

DN400.OD.PR

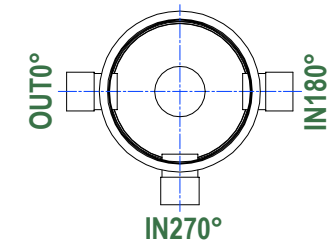
**PLACES OUTSIDE TRAFFIC LOAD
IMPACT ZONES (GREEN AREAS)**



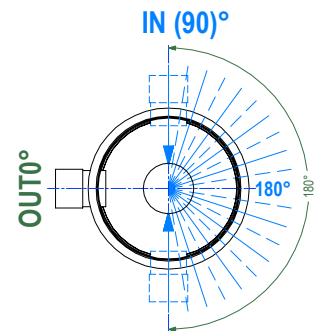
OUT0° / IN90° / IN180° IN270°
DN110, 160, 200, 250 mm



OUT0° / IN90° / IN180°
DN110, 160, 200, 250 mm

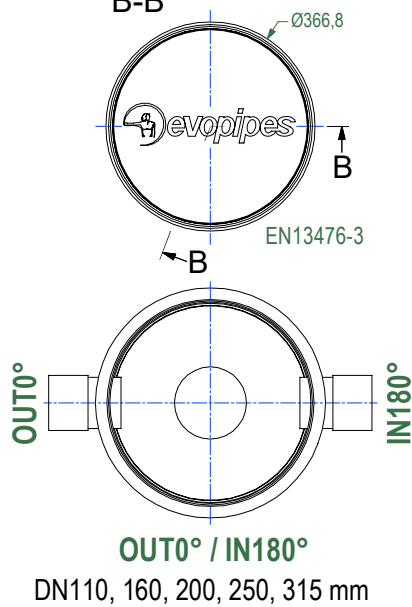


OUT0° / IN180° IN270°
DN110, 160, 200, 250 mm



IN (270)°
OUT0° / IN(90 - 270)°
DN110, 160, 200, 250 mm

IN - requested connection in desirable angle



OUT0° / IN180°
DN110, 160, 200, 250, 315 mm

This drawing is not suitable for the design and construction of other objects without the consent of SIA "EVOPIPES"



SIA "EVOPIPES"
Langervaldes str. 2a, Jelgava, LV-3002, Latvia
Company reg. No.: 50003728871
Phone: +371 63094300
E-mail: info@evopipes.lv
Website: www.evopipes.lv

FILE NAME:
CID 400

SHEET: 1 OF 1

SHEET FORMAT: @ A4

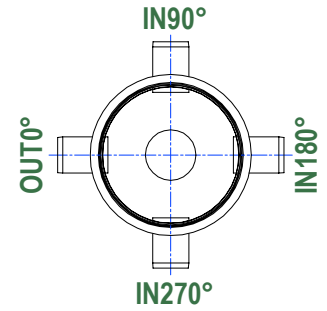
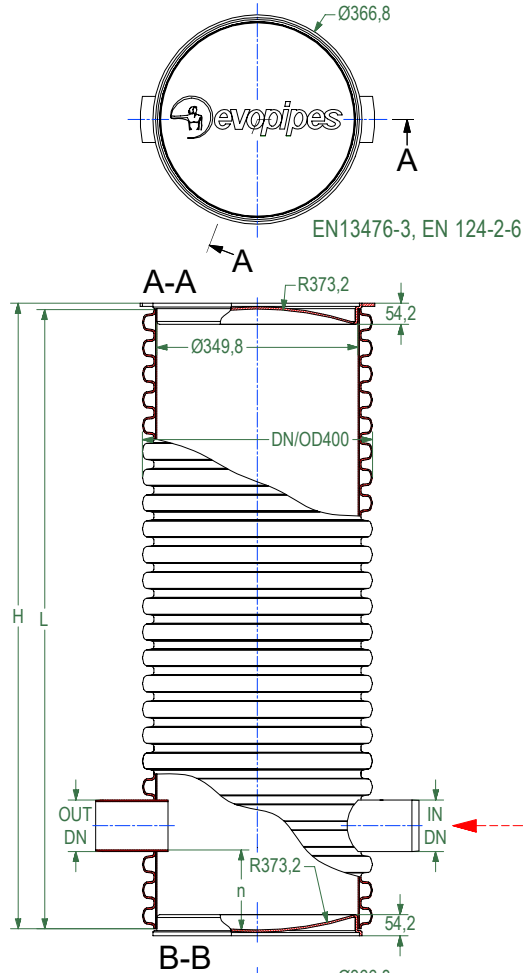
SCALE:
WITHOUT SCALE

STAGE:
STANDARD DRAWING

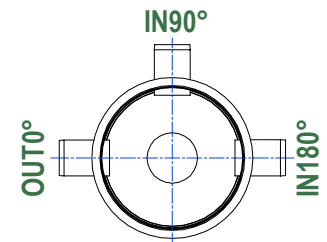
DRAWING No.:	VERSION	REVISION	REVISION STATUS
CID 400	EN	1	ACTUAL

DN400.OD.SM

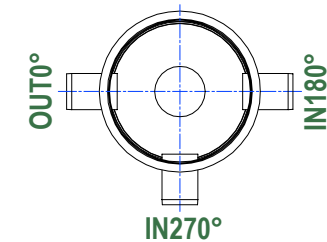
**PLACES OUTSIDE TRAFFIC LOAD
IMPACT ZONES (GREEN AREAS)**



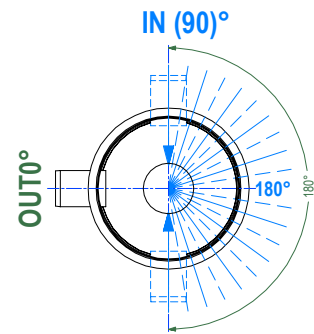
OUT0° / IN90° / IN180° IN270°
DN110, 160, 200, 250 mm



OUT0° / IN90° / IN180°
DN110, 160, 200, 250 mm

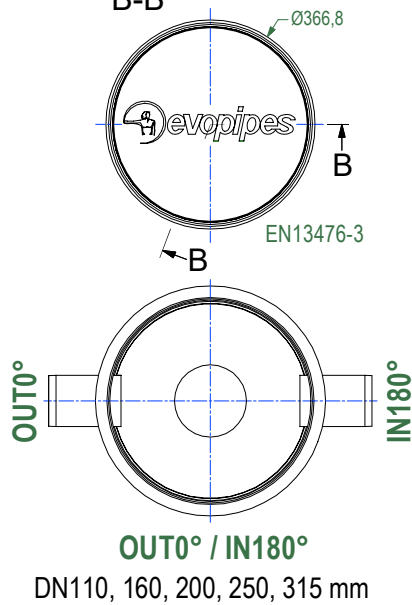


OUT0° / IN180° IN270°
DN110, 160, 200, 250 mm



IN (270)°
OUT0° / IN(90 - 270)°
DN110, 160, 200, 250 mm

IN - requested connection in desirable angle



OUT0° / IN180°
DN110, 160, 200, 250, 315 mm

This drawing is not suitable for the design and construction of other objects without the consent of SIA "EVOPIPES"



SIA "EVOPIPES"
Langervaldes str. 2a, Jelgava, LV-3002, Latvia
Company reg. No.: 50003728871
Phone: +371 63094300
E-mail: info@evopipes.lv
Website: www.evopipes.lv

FILE NAME:
CID 400

SHEET: 1 OF 1

SHEET FORMAT: @ A4

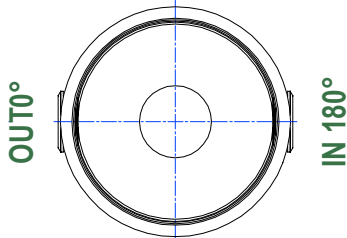
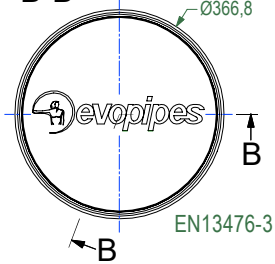
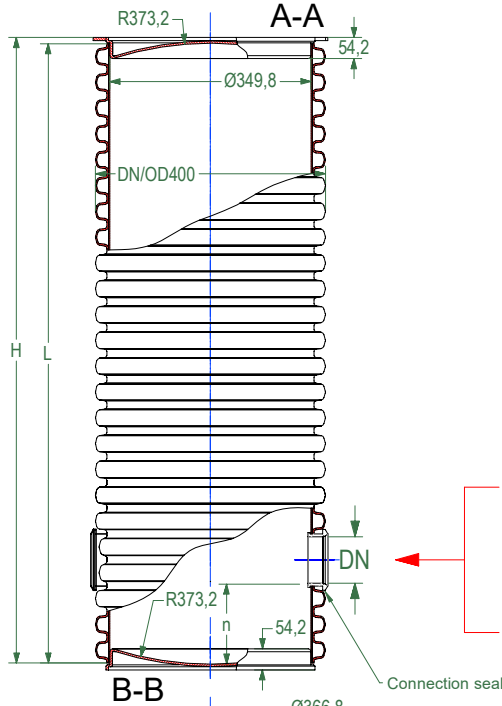
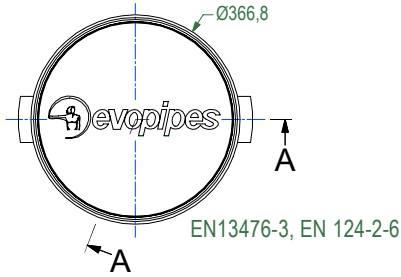
SCALE:
WITHOUT SCALE

STAGE:
STANDARD DRAWING

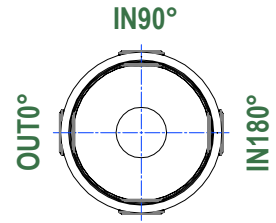
DRAWING No.:	VERSION	REVISION	REVISION STATUS
CID 400	EN	1	ACTUAL

DN400.OD.RB

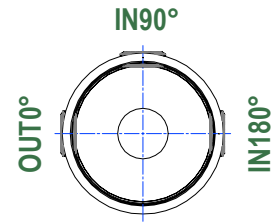
PLACES OUTSIDE TRAFFIC LOAD
IMPACT ZONES (GREEN AREAS)



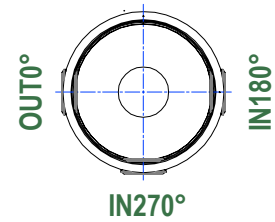
OUT0° / IN180°
DN110, 160, 200 mm



IN270°
OUT0° / IN90° / IN180° IN270°
DN110, 160, 200 mm

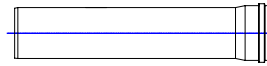


OUT0° / IN90° / IN180°
DN110, 160, 200 mm

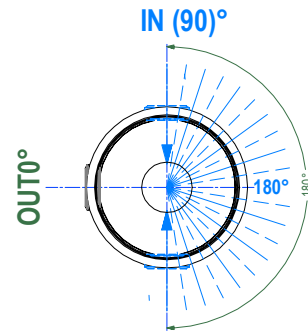


OUT0° / IN180° IN270°
DN110, 160, 200 mm

DN/OD, EN 13476-2,
EN 1852-1, EN 14758-1



DN/OD, EN 13476-3



IN (270)°
OUT0° / IN(90 - 270)°
DN110, 160, 200 mm

IN - requested connection in desirable angle

This drawing is not suitable for the design and construction of other objects without the consent of SIA "EVOPIPES"



SIA "EVOPIPES"
Langervaldes str. 2a, Jelgava, LV-3002, Latvia
Company reg. No.: 50003728871
Phone: +371 63094300
E-mail: info@evopipes.lv
Website: www.evopipes.lv

FILE NAME:
CID 400

SHEET: 1 OF 1

SHEET FORMAT: @ A4

SCALE:
WITHOUT SCALE

STAGE:
STANDARD DRAWING