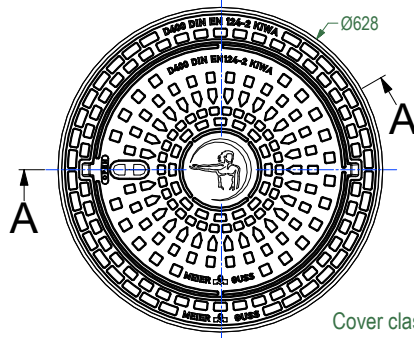


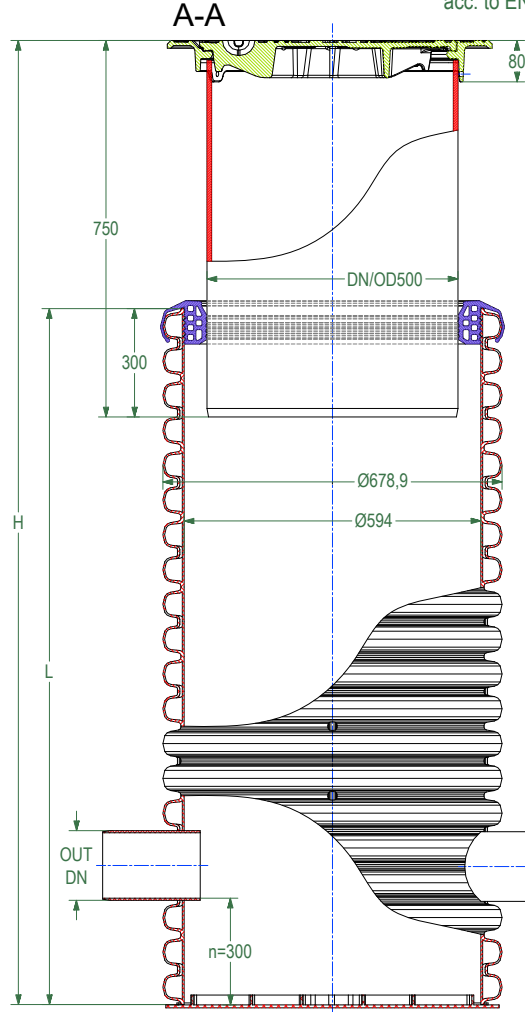
# CHAMBERS SYSTEMS WITH SEDIMET TRAP

## DN600.500.D400.OD.SM.PIPE

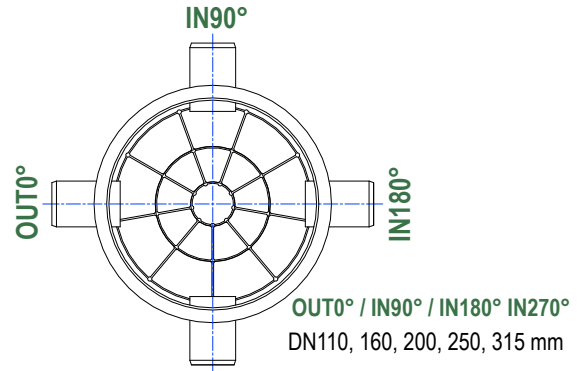
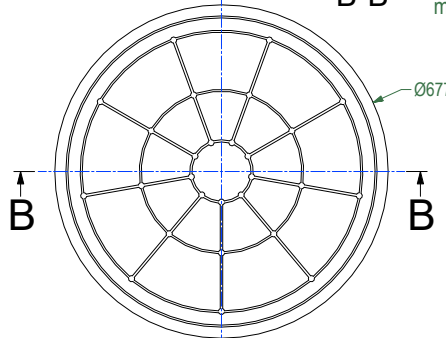
DRAWING No.:	VERSION	REVISION	REVISION STATUS
DN600.500.D400.OD.SM.PIPE	EN	1	ACTUAL



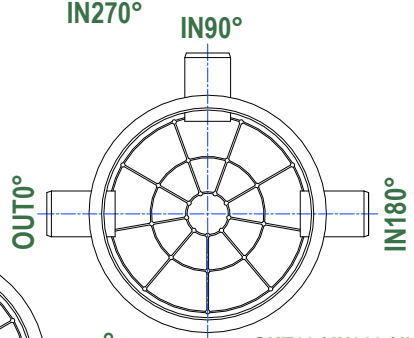
Cover class D400 acc. to EN 124-2



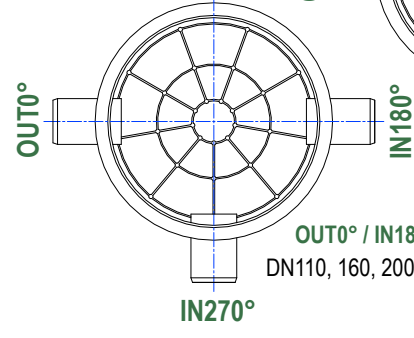
By default sediment trap height is (n=300 mm), with functional volume of 81,1 l=83,1 dm<sup>3</sup>  
On demand sediment trap can be manufactured with specified height.



OUT0° / IN90° / IN180° / IN270°  
DN110, 160, 200, 250, 315 mm

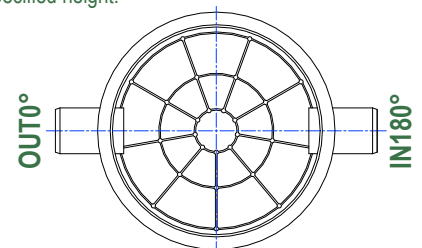
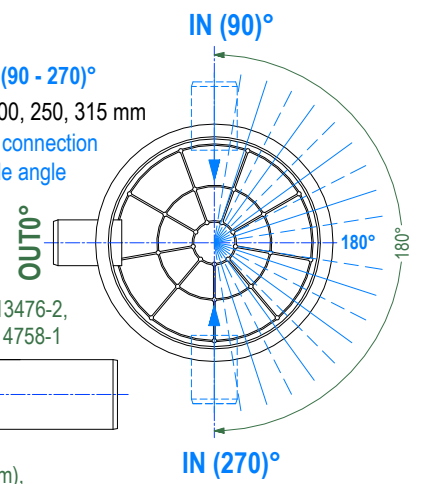


OUT0° / IN90° / IN180°  
DN110, 160, 200, 250, 315 mm



OUT0° / IN180° / IN270°  
DN110, 160, 200, 250, 315 mm

OUT0° / IN(90 - 270)°  
DN110, 160, 200, 250, 315 mm  
IN - requested connection in desirable angle



OUT0° / IN180°  
DN110, 160, 200, 250, 315, 400 mm

*This drawing is not suitable for the design and construction of other objects without the consent of SIA "EVOPIPES"*



SIA "EVOPIPES"  
Langervaldes str. 2a, Jelgava, LV-3002, Latvia  
Company reg. No.: 50003728871  
Phone: +371 63094300  
E-mail: [info@evopipes.lv](mailto:info@evopipes.lv)  
Website: [www.evopipes.lv](http://www.evopipes.lv)

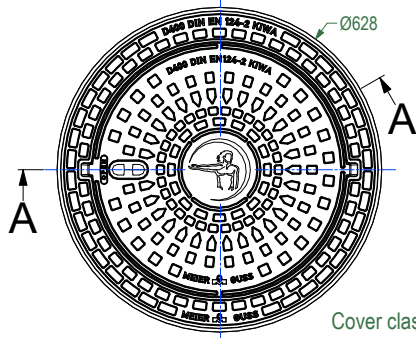
FILE NAME:	DN600.500.D400.OD.SM.PIPE	
SHEET:	1 OF 1	SHEET FORMAT: @A4

SCALE:	NOT TO SCALE
STAGE:	STANDARD DRAWING

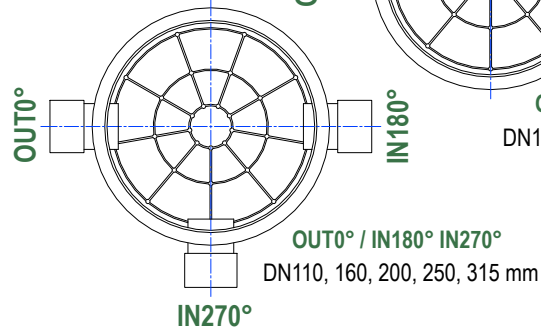
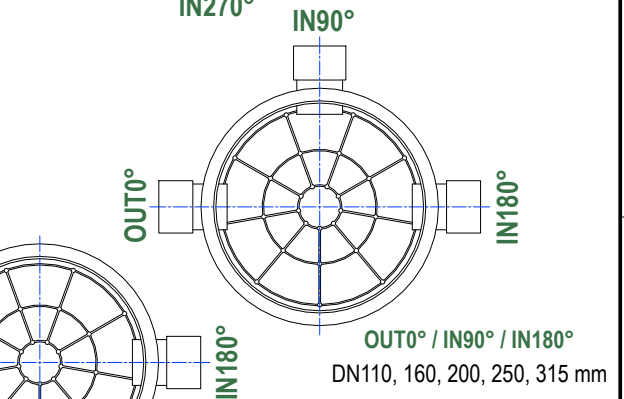
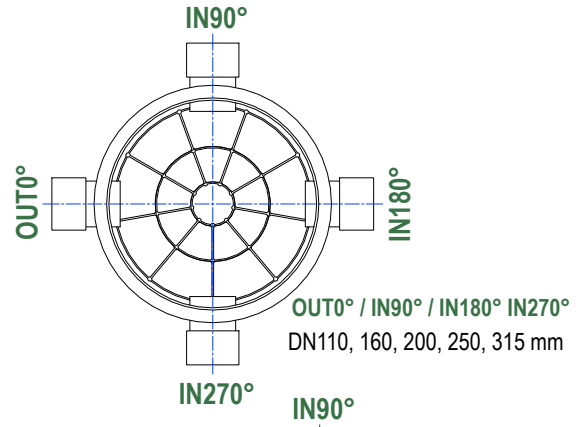
# CHAMBERS SYSTEMS WITH SEDIMET TRAP

## DN600.500.D400.OD.PR.PIPE

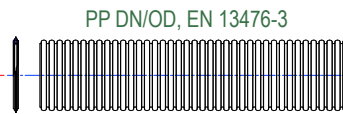
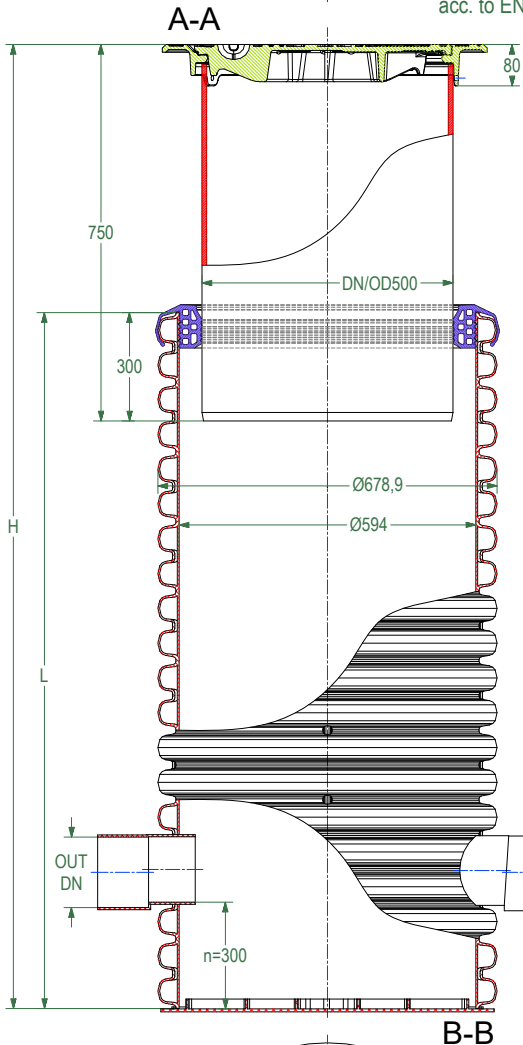
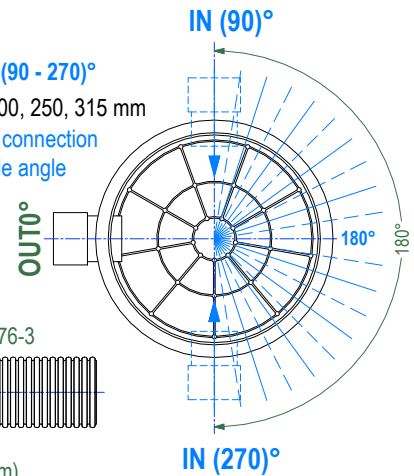
DRAWING No.:	VERSION	REVISION	REVISION STATUS
DN600.500.D400.OD.PR.PIPE	EN	1	ACTUAL



Cover class D400  
acc. to EN 124-2

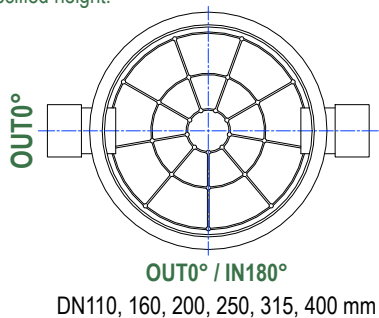
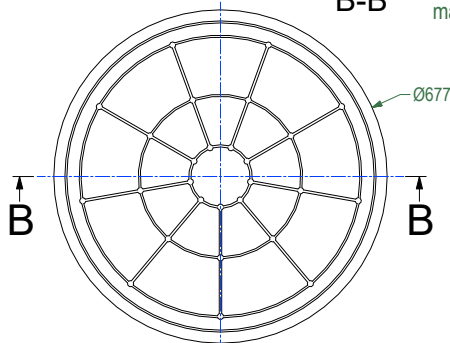


OUT0° / IN(90 - 270)°  
DN110, 160, 200, 250, 315 mm  
IN - requested connection  
in desirable angle



By default sediment trap height is (n=300 mm),  
with functional volume of 81,1 l=83,1 dm³

On demand sediment trap can be  
manufactured with specified height.



*This drawing is not suitable for the design and construction of other objects without the consent of SIA "EVOPIPES"*



SIA "EVOPIPES"  
Langervaldes str. 2a, Jelgava, LV-3002, Latvia  
Company reg. No.: 50003728871  
Phone: +371 63094300  
E-mail: [info@evopipes.lv](mailto:info@evopipes.lv)  
Website: [www.evopipes.lv](http://www.evopipes.lv)

FILE NAME:  
DN600.500.D400.OD.PR.PIPE

SHEET: 1 OF 1

SHEET FORMAT: @A4

SCALE:  
NOT TO SCALE  
STAGE:  
STANDARD DRAWING