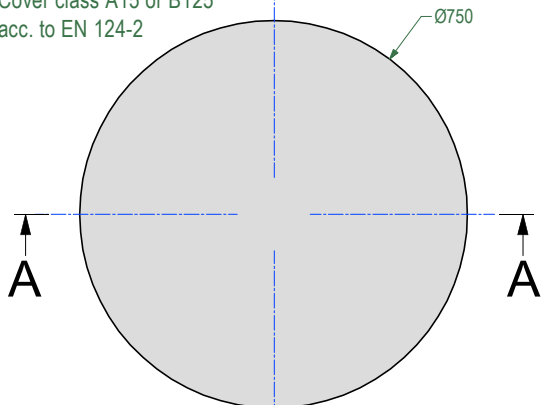


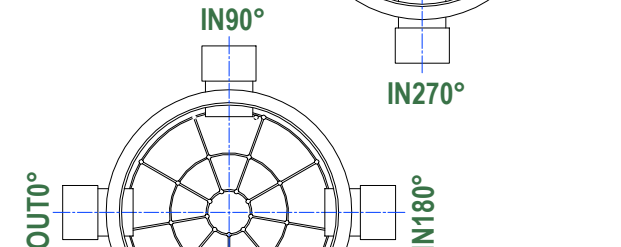
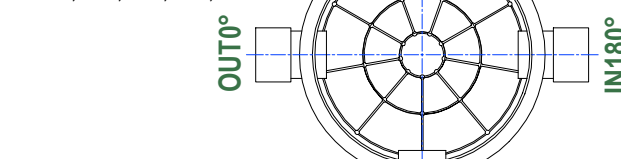
DRAWING No.:	VERSION	REVISION	REVISION STATUS
CSL 600 Drainage chamber with reinforced concrete cover	EN	1	ACTUAL

# CSL 600 (PR)

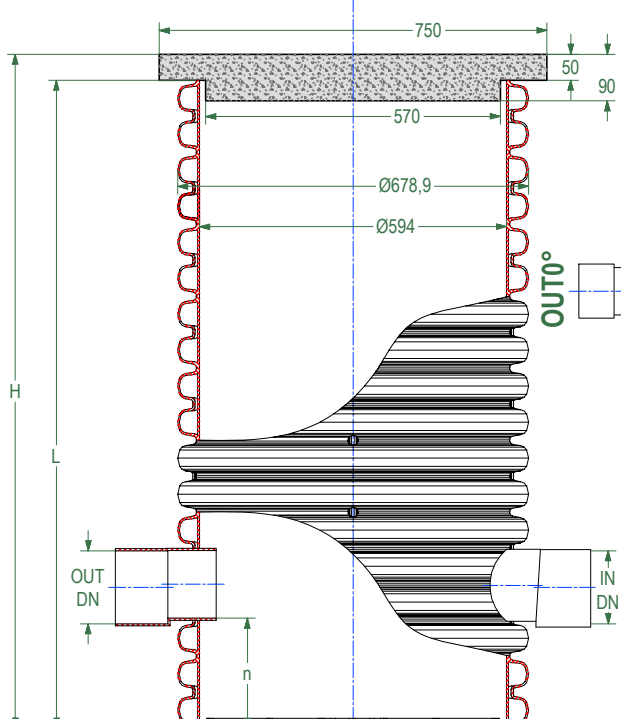
Cover class A15 or B125  
acc. to EN 124-2



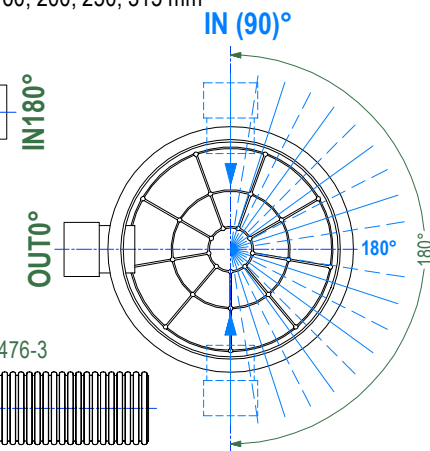
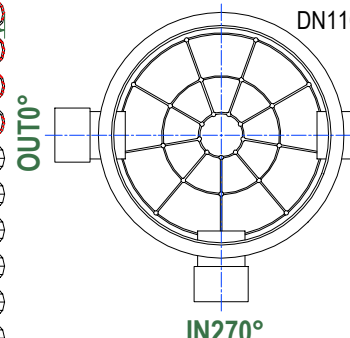
OUT0° / IN90° / IN180° IN270°  
DN110, 160, 200, 250, 315 mm



OUT0° / IN90° / IN180°  
DN110, 160, 200, 250, 315 mm



OUT0° / IN180° IN270°  
DN110, 160, 200, 250, 315 mm

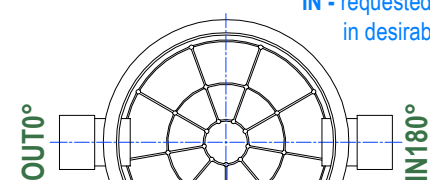
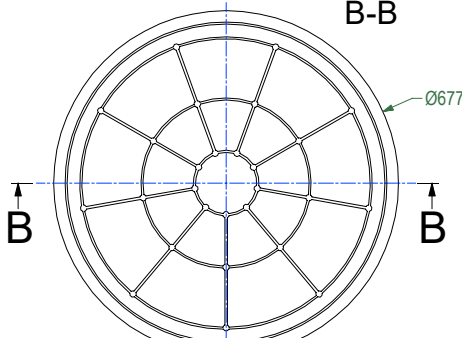


DN/OD, EN 13476-3



IN (270)°  
OUT0° / IN(90 - 270)°  
DN110, 160, 200, 250, 315 mm

IN - requested connection  
in desirable angle



OUT0° / IN180°  
DN110, 160, 200, 250, 315, 400 mm

Šis rasējums ir SIA Evopipes intelektuālais īpašums. / This drawing is the property of SIA Evopipes and is protected by law.



SIA "EVOPIPES"  
Langervaldes str. 2a, Jelgava, LV-3002, Latvia  
Company reg. No.: 50003728871  
Phone: +371 63094300  
E-mail: [info@evopipes.lv](mailto:info@evopipes.lv)  
Website: [www.evopipes.lv](http://www.evopipes.lv)

FILE NAME:  
CSL 600 Drainage chamber with reinforced concrete cover

SHEET: 1 OF 1

SHEET FORMAT: @ A4

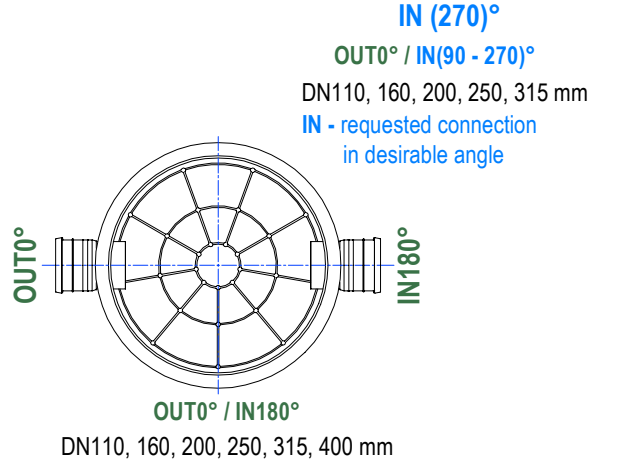
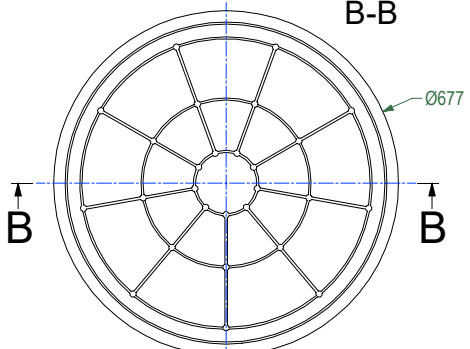
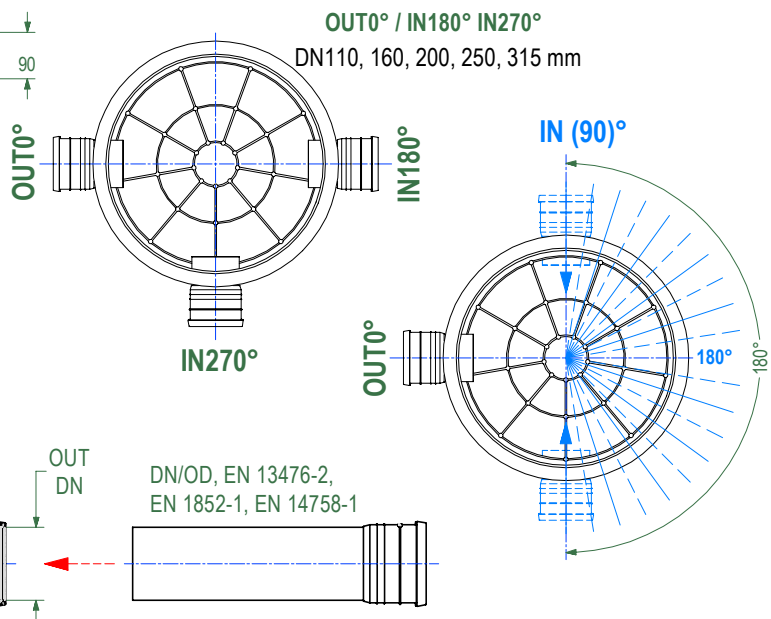
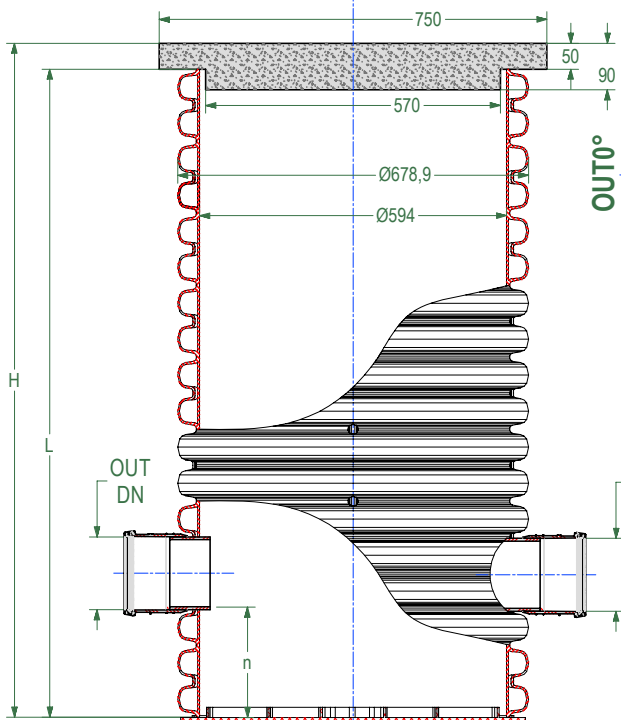
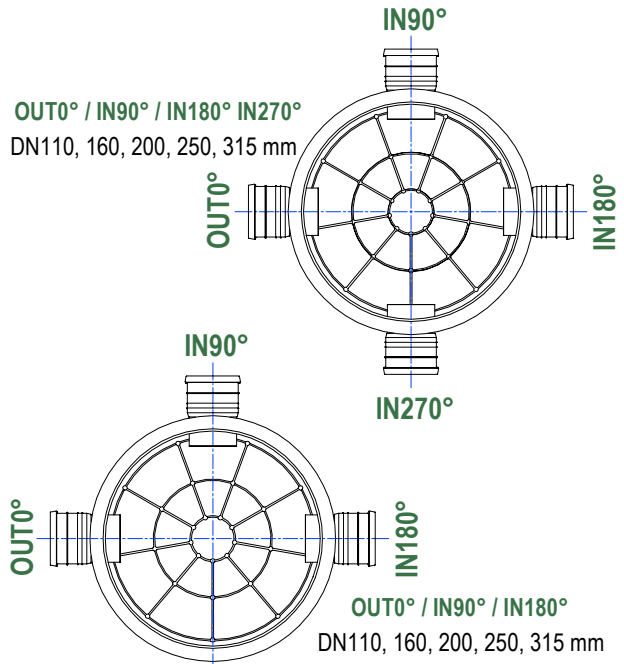
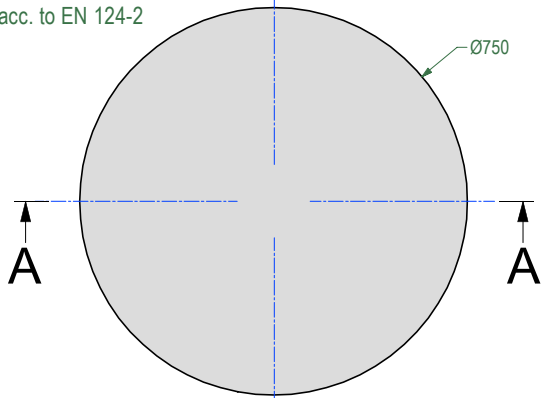
SCALE:  
WITHOUT SCALE

STAGE:  
STANDARD DRAWING

DRAWING No.:	VERSION	REVISION	REVISION STATUS
CSL 600 Drainage chamber with reinforced concrete cover	EN	1	ACTUAL

# CSL 600 (SM)

Cover class A15 or B125  
acc. to EN 124-2



Šis rasējums ir SIA Evopipes intelektuālais īpašums. / This drawing is the property of SIA Evopipes and is protected by law.



SIA "EVOPIPES"  
Langervaldes str. 2a, Jelgava, LV-3002, Latvia  
Company reg. No.: 50003728871  
Phone: +371 63094300  
E-mail: [info@evopipes.lv](mailto:info@evopipes.lv)  
Website: [www.evopipes.lv](http://www.evopipes.lv)

FILE NAME:  
CSL 600 Drainage chamber with reinforced concrete cover

SHEET: 1 OF 1

SHEET FORMAT: @ A4

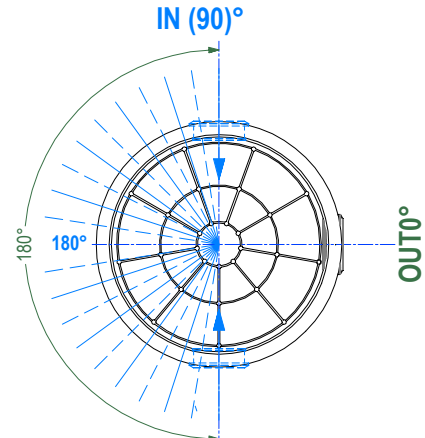
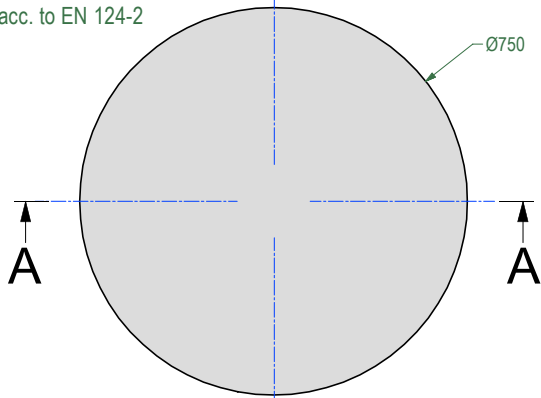
SCALE:  
WITHOUT SCALE

STAGE:  
STANDARD DRAWING

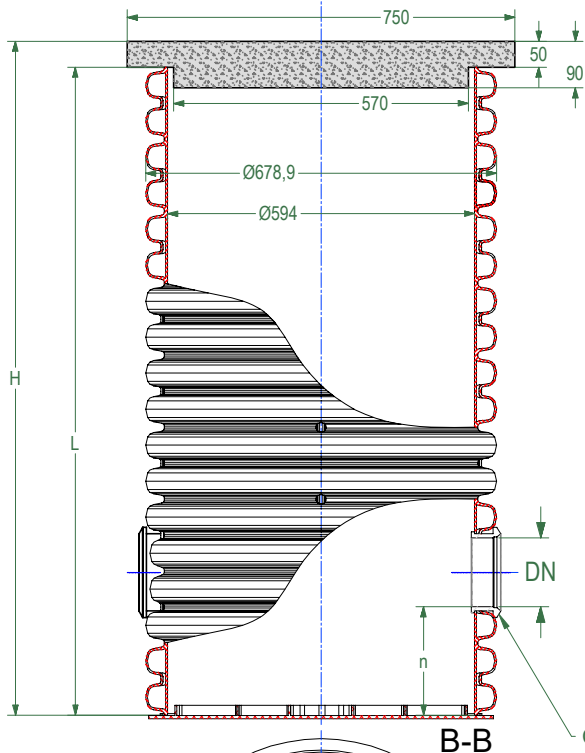
DRAWING No.:	VERSION	REVISION	REVISION STATUS
CSL 600 Drainage chamber with reinforced concrete cover	EN	1	ACTUAL

# CSL 600 (RB)

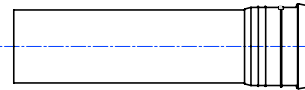
Cover class A15 or B125  
acc. to EN 124-2



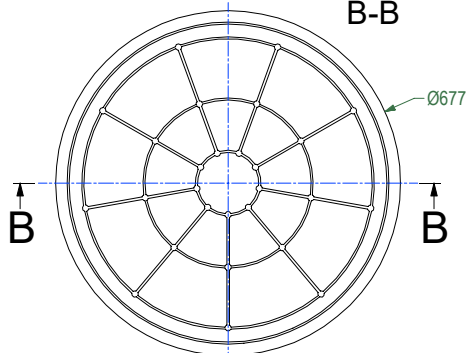
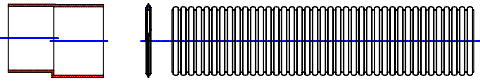
**IN (90°)**  
**IN (270°)**  
**OUT 0° / IN(90 - 270°)**  
DN110, 160, 200 mm  
IN - requested connection  
in desirable angle



DN/OD, EN 13476-2,  
EN 1852-1, EN 14758-1



DN/OD, EN 13476-3



*Šis rasējums ir SIA Evopipes intelektuālais īpašums. / This drawing is the property of SIA Evopipes and is protected by law.*



SIA "EVOPIPES"  
Langervaldes str. 2a, Jelgava, LV-3002, Latvia  
Company reg. No.: 50003728871  
Phone: +371 63094300  
E-mail: [info@evopipes.lv](mailto:info@evopipes.lv)  
Website: [www.evopipes.lv](http://www.evopipes.lv)

FILE NAME:  
CSL 600 Drainage chamber with reinforced concrete cover

SCALE:  
WITHOUT SCALE

SHEET: 1 OF 1

SHEET FORMAT: @ A4

STAGE:  
STANDARD DRAWING