

TECHNICAL DATA SHEET



SPLIT BOX

Cable protection box

PRODUCT DESCRIPTION

SPLIT BOX is especially suitable for protecting existing cables in sharp turns.

By using the box together with EVOCAB SPLIT protective pipes, the protection of existing cables can be fully ensured, not only in construction processes, but also for permanent cable line protection.

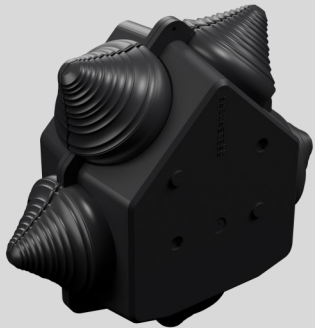
Material: PP-EPDM (high quality recycled plastic)



APPLICATION AREA

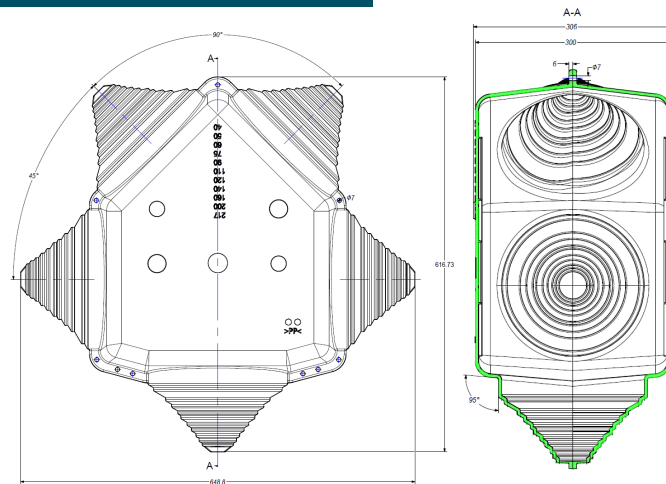
SPLIT BOX is used for protection and installation of telecommunications, medium voltage and high voltage cables.

Especially suited for use in combination with EVOCAB SPLIT cable protection pipes.



Open product

PRODUCT DIMENSIONS



PRODUCT PARAMETERS

Parameter	Value
Material	PP-EPDM (high quality recycled plastic)