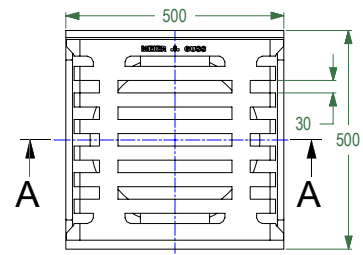
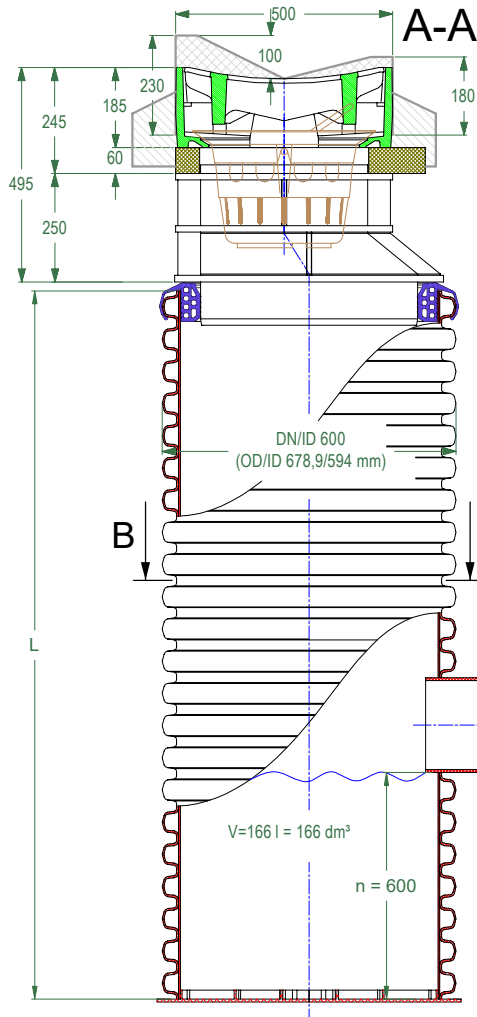


DRAWING No.:	VERSION	REVISION	REVISION STATUS
EN.DN600-500.D400.SS185-160.OD.SM.PIPE	EN	1	ACTUAL

DN600-500.D400.SS185-160.OD.SM.PIPE



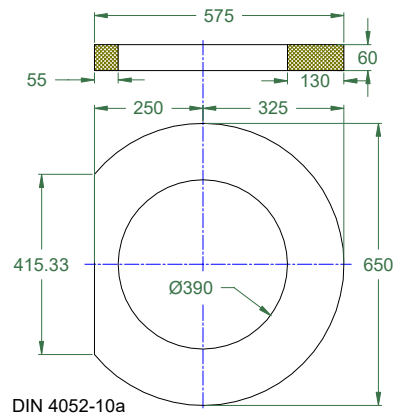
D400, LVS EN 124-2

leplūdes šķērsriezuma laukums: **705 cm²**

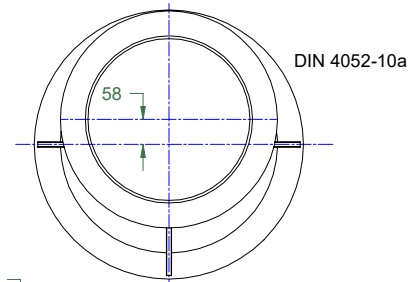
leplūdes restes laukuma ūdens caurlaides spēja
pie nokrišņu slāņa biezuma:

- h = 10 mm : 18 l/s
- h = 20 mm : 26 l/s
- h = 30 mm : 32 l/s
- h = 40 mm : 37 l/s
- h = 50 mm : 41 l/s

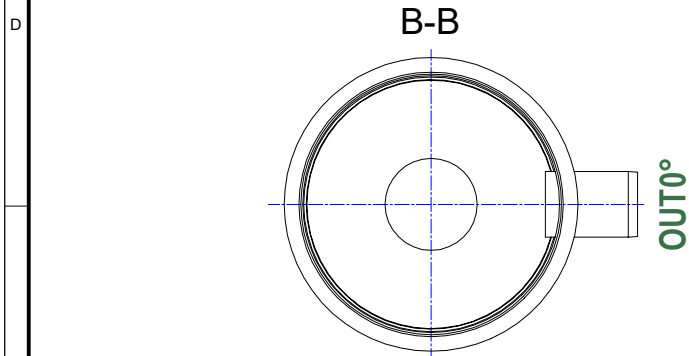
PP DN/OD, LVS EN 13476-2,
LVS EN 1852-1, LVS EN 14758-1



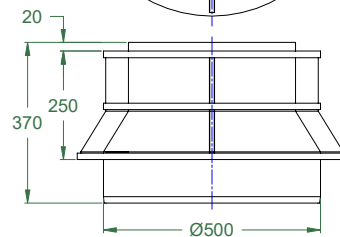
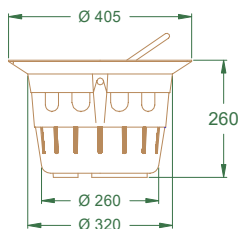
DIN 4052-10a



DIN 4052-10a



DN110, 160, 200 mm



This drawing is not suitable for the design and construction of other objects without the consent of SIA "EVOPIPES"



SIA "EVOPIPES"
Langervaldes str. 2a, Jelgava, LV-3002, Latvia
Company reg. No.: 50003728871
Phone: +371 63094300
E-mail: info@evopipes.lv
Website: www.evopipes.lv

FILE NAME:
EN.DN600-500.D400.SS185-160.OD.SM.PIPE.dwg

SHEET: 1 OF 1

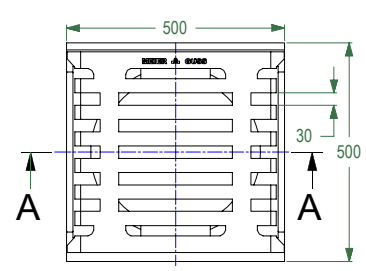
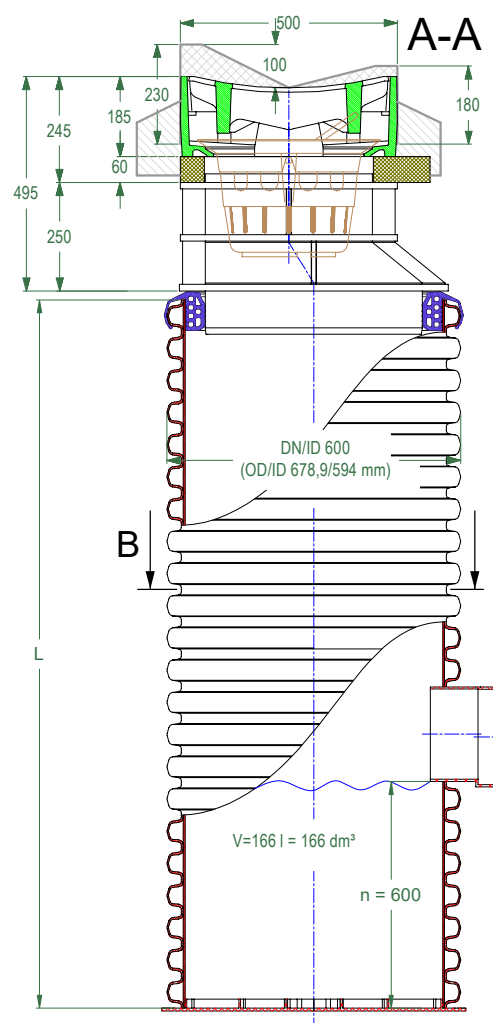
SHEET FORMAT: @ A4

SCALE:
WITHOUT SCALE

STAGE:
STANDARD DRAWING

DRAWING No.:	VERSION	REVISION	REVISION STATUS
EN.DN600-500.D400.SS185-160.OD.PR.PIPE	EN	1	ACTUAL

DN600-500.D400.SS185-160.OD.PR.PIPE



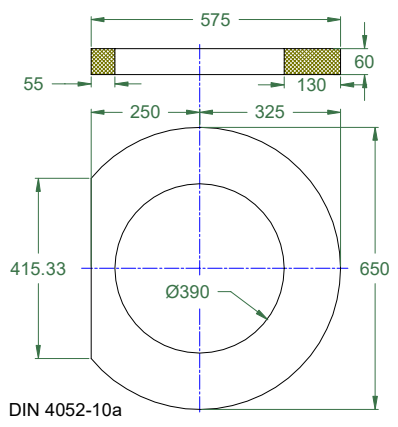
D400, EN 124-2

leplūdes šķērsriezuma laukums: **705 cm²**

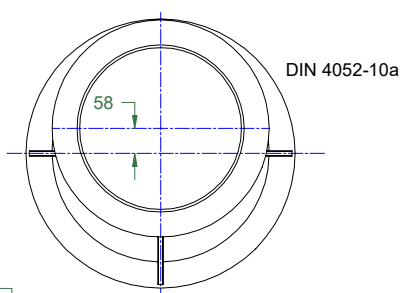
leplūdes restes laukuma ūdens caurlaides spēja
pie nokrišņu slāņa biezuma:

- h = 10 mm : 18 l/s
- h = 20 mm : 26 l/s
- h = 30 mm : 32 l/s
- h = 40 mm : 37 l/s
- h = 50 mm : 41 l/s

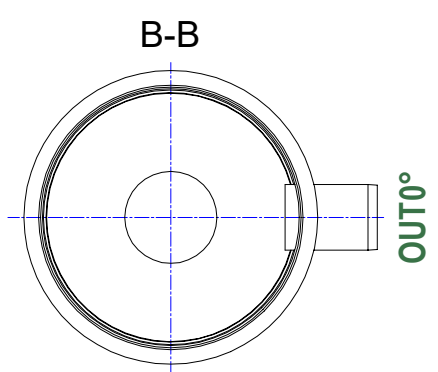
PP DN/OD, EN 13476-2,
EN 1852-1, EN 14758-1



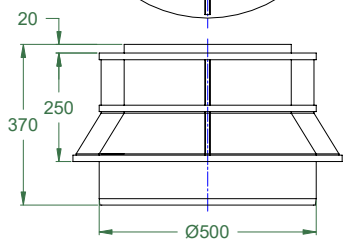
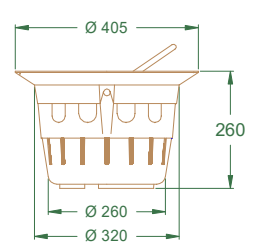
DIN 4052-10a



DIN 4052-10a



DN110, 160, 200 mm



This drawing is not suitable for the design and construction of other objects without the consent of SIA "EVOPIPES"



SIA "EVOPIPES"
Langervaldes str. 2a, Jelgava, LV-3002, Latvia
Company reg. No.: 50003728871
Phone: +371 63094300
E-mail: info@evopipes.lv
Website: www.evopipes.lv

FILE NAME:
EN.DN600-500.D400.SS185-160.OD.PR.PIPE.dwg

SHEET: 1 OF 1

SHEET FORMAT: @ A4

SCALE:
WITHOUT SCALE

STAGE:
STANDARD DRAWING