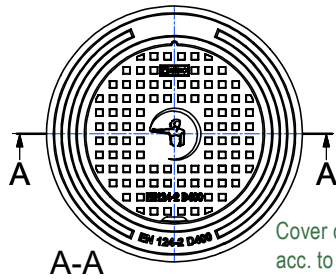
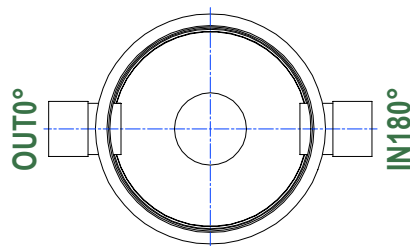
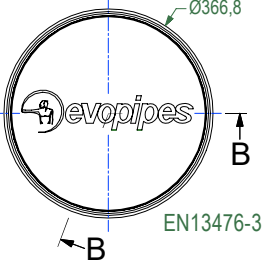
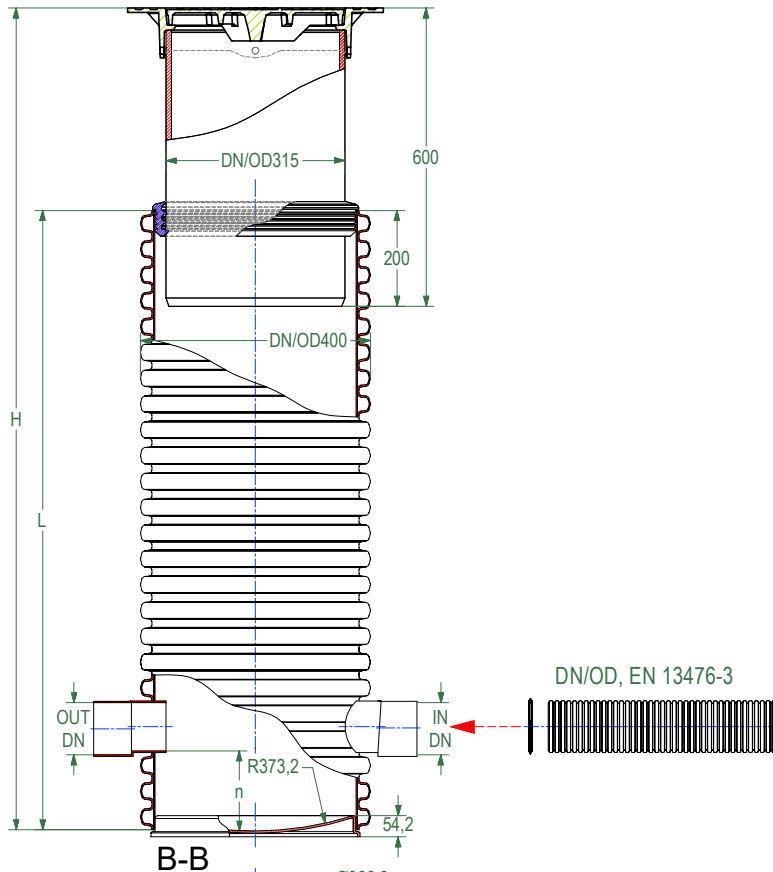


DRAWING No.:	VERSION	REVISION	REVISION STATUS
CRS 400-315D Drainage chamber	EN	1	ACTUAL

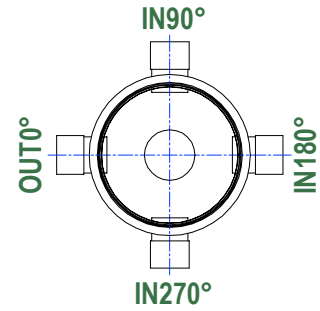
# CRS 400/315D (R/PR)



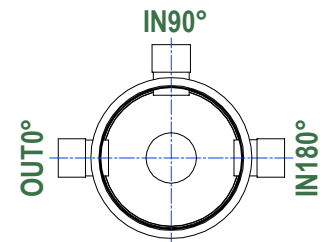
Cover class D400  
acc. to EN 124-2



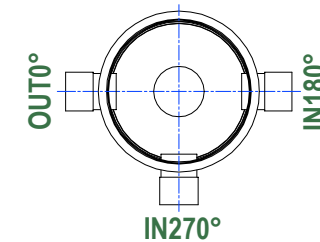
**OUT0° / IN180°**  
DN110, 160, 200, 250, 315 mm



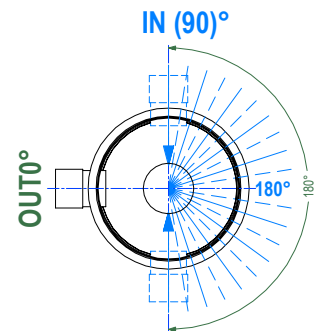
**OUT0° / IN90° / IN180° IN270°**  
DN110, 160, 200, 250 mm



**OUT0° / IN90° / IN180°**  
DN110, 160, 200, 250 mm



**OUT0° / IN180° IN270°**  
DN110, 160, 200, 250 mm



**IN (270°)**  
**OUT0° / IN(90 - 270°)**  
DN110, 160, 200, 250 mm

IN - requested connection in desirable angle

Šis rasējums ir SIA Evopipes intelektuālais īpašums. / This drawing is the property of SIA Evopipes and is protected by law.



SIA "EVOPIPES"  
Langervaldes str. 2a, Jelgava, LV-3002, Latvia  
Company reg. No.: 50003728871  
Phone: +371 63094300  
E-mail: [info@evopipes.lv](mailto:info@evopipes.lv)  
Website: [www.evopipes.lv](http://www.evopipes.lv)

FILE NAME:  
CRS 400-315D Drainage chamber

SHEET: 1 OF 1

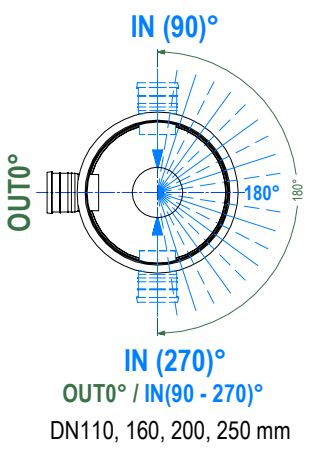
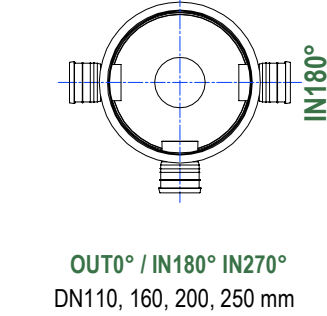
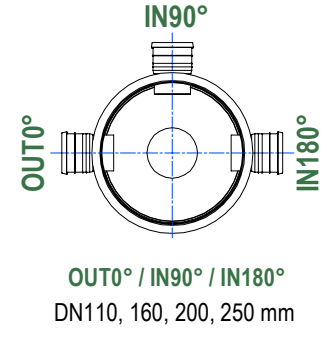
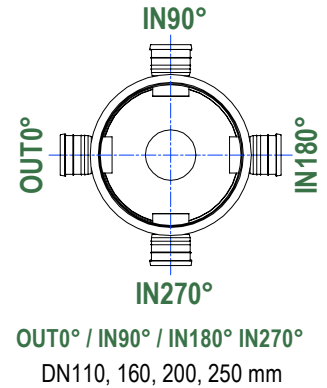
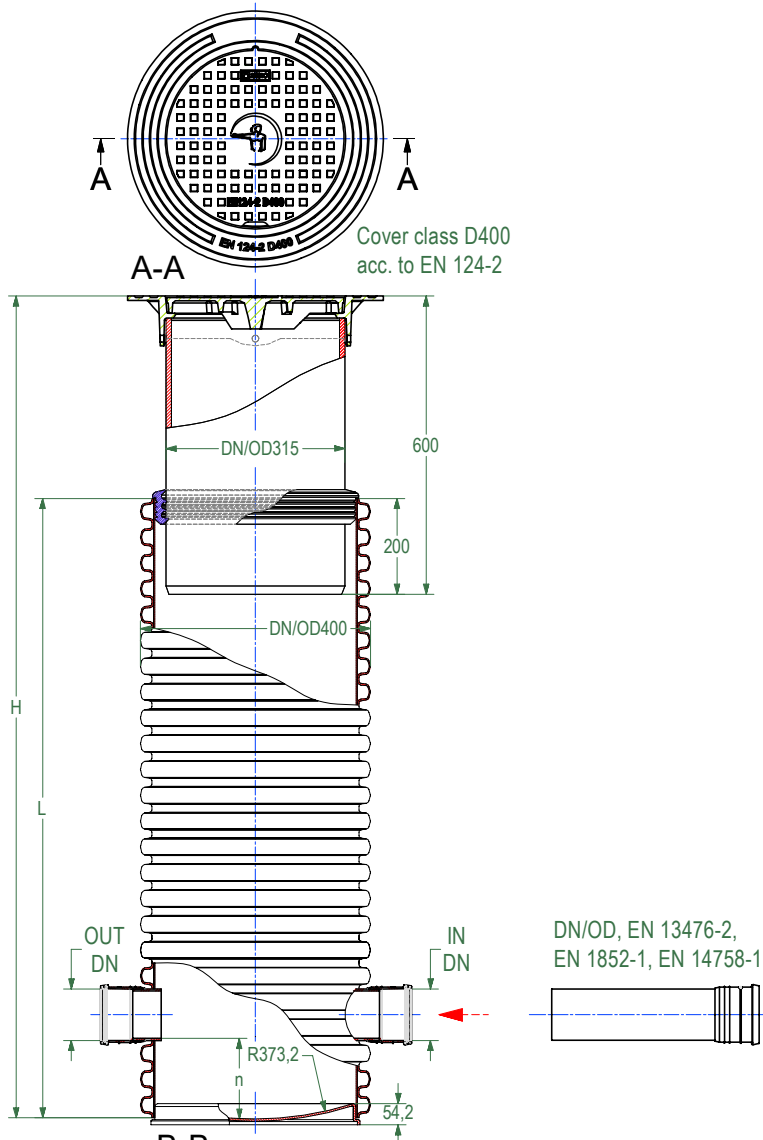
SHEET FORMAT: @ A4

SCALE:  
WITHOUT SCALE

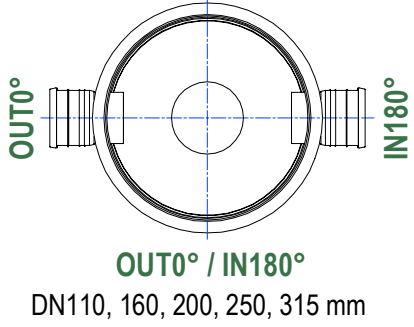
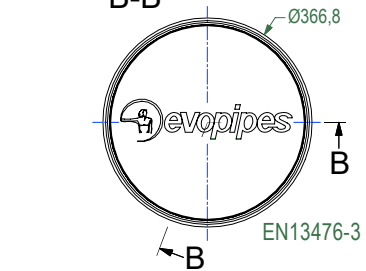
STAGE:  
STANDARD DRAWING

DRAWING No.:	VERSION	REVISION	REVISION STATUS
CRS 400-315D Drainage chamber	EN	1	ACTUAL

# CRS 400/315D (R/SM)



IN - requested connection in desirable angle



Šis rasējums ir SIA Evopipes intelektuālais īpašums. / This drawing is the property of SIA Evopipes and is protected by law.

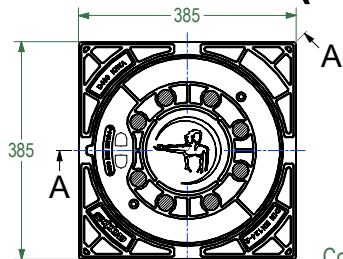


SIA "EVOPIPES"  
 Langervaldes str. 2a, Jelgava, LV-3002, Latvia  
 Company reg. No.: 50003728871  
 Phone: +371 63094300  
 E-mail: [info@evopipes.lv](mailto:info@evopipes.lv)  
 Website: [www.evopipes.lv](http://www.evopipes.lv)

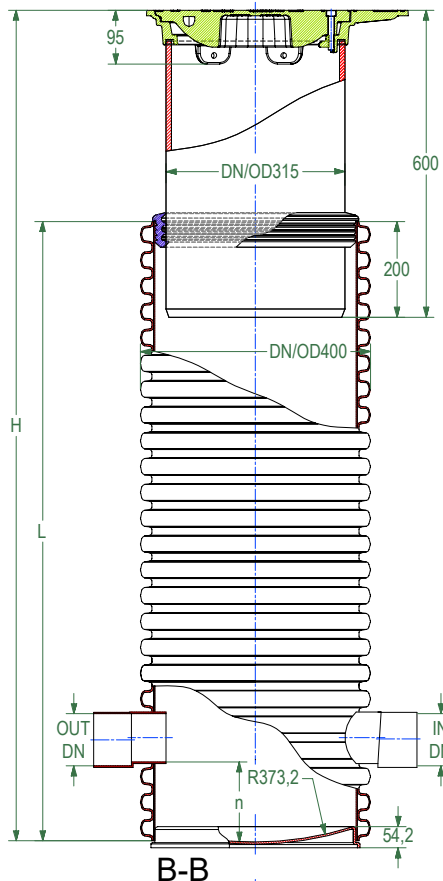
FILE NAME:	CRS 400-315D Drainage chamber		SCALE:	WITHOUT SCALE
SHEET:	1 OF 1	SHEET FORMAT:	@ A4	STAGE:
				STANDARD DRAWING

DRAWING No.:	VERSION	REVISION	REVISION STATUS
CRS 400-315D Drainage chamber	EN	1	ACTUAL

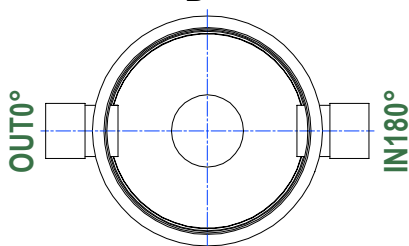
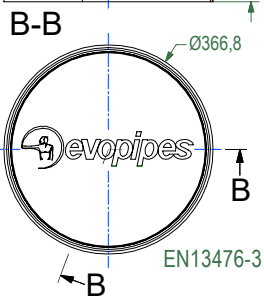
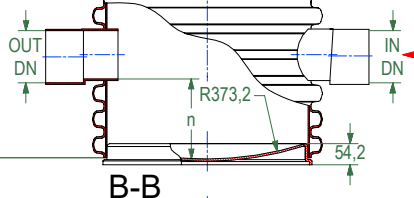
# CRS 400/315D (S/PR)



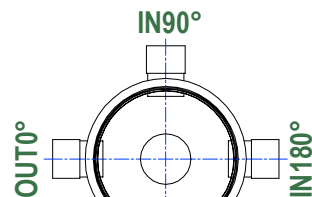
Cover class D400  
acc. to EN 124-2



DN/OD, EN 13476-3

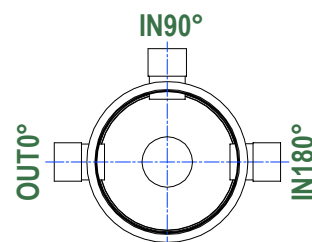


**OUT0° / IN180°**  
DN110, 160, 200, 250, 315 mm

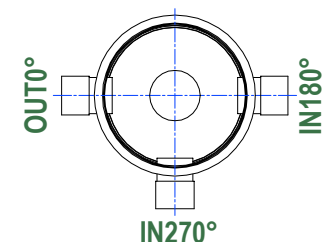


**IN270°**

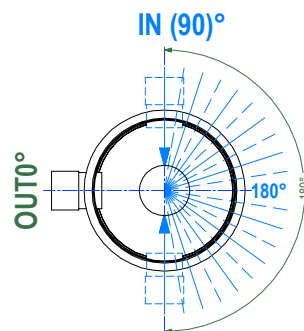
**OUT0° / IN90° / IN180° IN270°**  
DN110, 160, 200, 250 mm



**OUT0° / IN90° / IN180°**  
DN110, 160, 200, 250 mm



**OUT0° / IN180° IN270°**  
DN110, 160, 200, 250 mm



**IN (270)°**  
**OUT0° / IN(90 - 270)°**  
DN110, 160, 200, 250 mm

IN - requested connection in desirable angle

Šis rasējums ir SIA Evopipes intelektuālais īpašums. / This drawing is the property of SIA Evopipes and is protected by law.



SIA "EVOPIPES"  
Langervaldes str. 2a, Jelgava, LV-3002, Latvia  
Company reg. No.: 50003728871  
Phone: +371 63094300  
E-mail: [info@evopipes.lv](mailto:info@evopipes.lv)  
Website: [www.evopipes.lv](http://www.evopipes.lv)

FILE NAME:  
CRS 400-315D Drainage chamber

SHEET: 1 OF 1

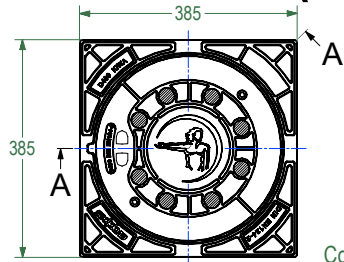
SHEET FORMAT: @ A4

SCALE:  
WITHOUT SCALE

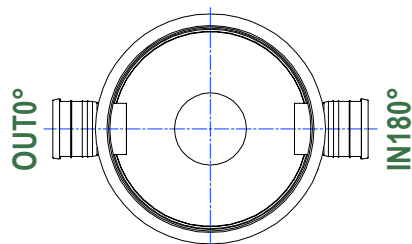
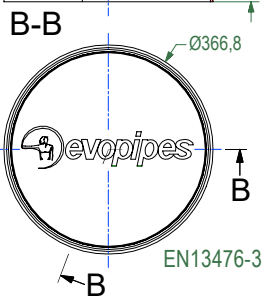
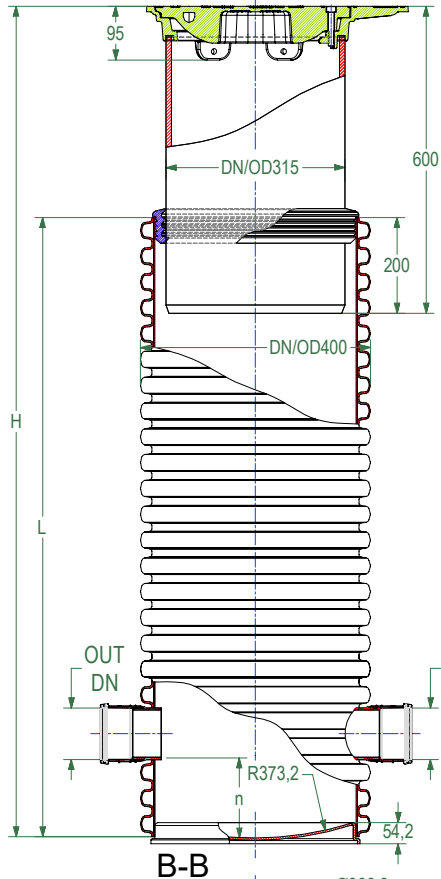
STAGE:  
STANDARD DRAWING

DRAWING No.:	VERSION	REVISION	REVISION STATUS
CRS 400-315D Drainage chamber	EN	1	ACTUAL

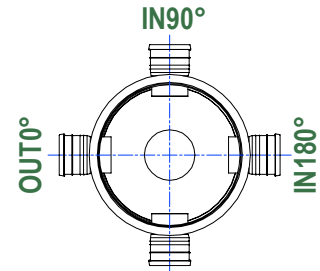
# CRS 400/315D (S/SM)



Cover class D400  
acc. to EN 124-2

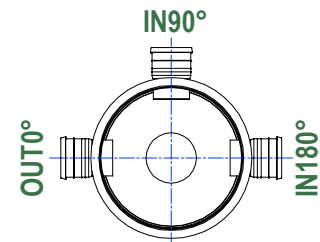


**OUT0° / IN180°**  
DN110, 160, 200, 250, 315 mm

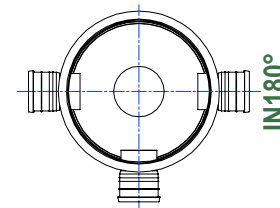


**IN270°**

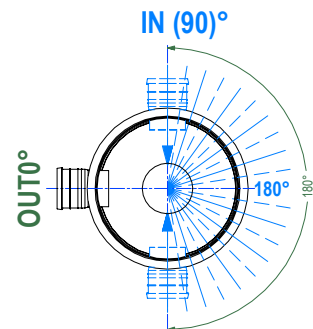
**OUT0° / IN90° / IN180° IN270°**  
DN110, 160, 200, 250 mm



**OUT0° / IN90° / IN180°**  
DN110, 160, 200, 250 mm



**OUT0° / IN180° IN270°**  
DN110, 160, 200, 250 mm



**IN (270°)**  
**OUT0° / IN(90 - 270°)**  
DN110, 160, 200, 250 mm

IN - requested connection in desirable angle

Šis rasējums ir SIA Evopipes intelektuālais īpašums. / This drawing is the property of SIA Evopipes and is protected by law.



SIA "EVOPIPES"  
Langervaldes str. 2a, Jelgava, LV-3002, Latvia  
Company reg. No.: 50003728871  
Phone: +371 63094300  
E-mail: [info@evopipes.lv](mailto:info@evopipes.lv)  
Website: [www.evopipes.lv](http://www.evopipes.lv)

FILE NAME:  
CRS 400-315D Drainage chamber

SHEET: 1 OF 1

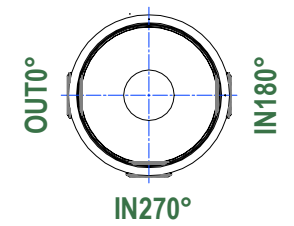
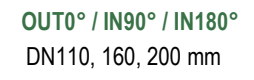
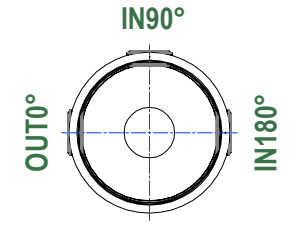
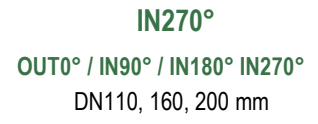
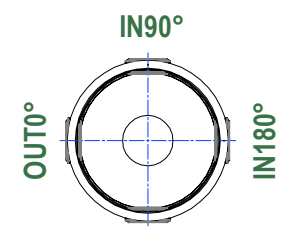
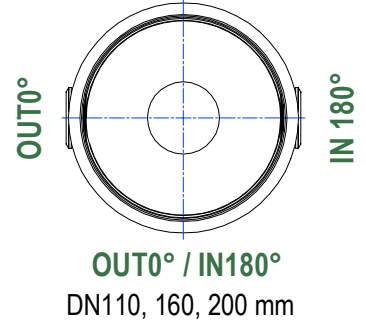
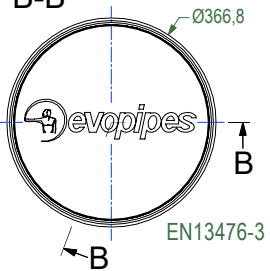
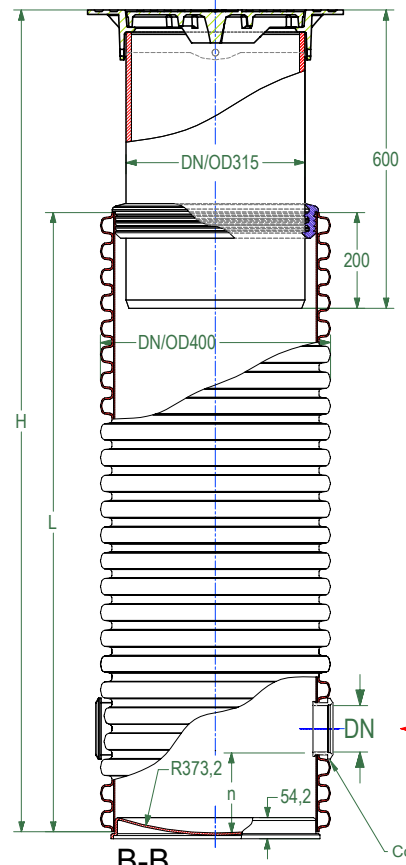
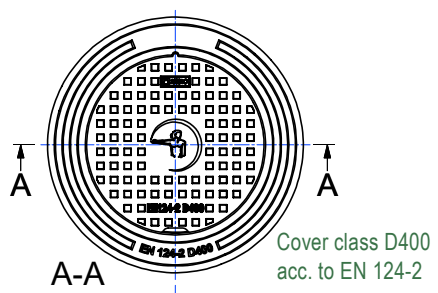
SHEET FORMAT: @ A4

SCALE:  
WITHOUT SCALE

STAGE:  
STANDARD DRAWING

# CRS 400/315D (R/RB)

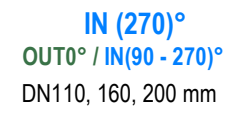
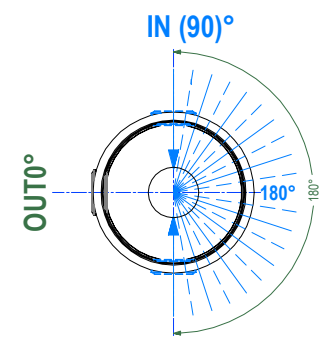
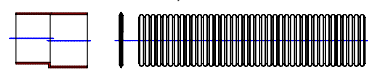
DRAWING No.:	VERSION	REVISION	REVISION STATUS
CRS 400-315D Drainage chamber	EN	1	ACTUAL



DN/OD, EN 13476-2,  
EN 1852-1, EN 14758-1



DN/OD, EN 13476-3



IN - requested connection in desirable angle

Šis rasējums ir SIA Evopipes intelektuālais īpašums. / This drawing is the property of SIA Evopipes and is protected by law.



SIA "EVOPIPES"  
Langervaldes str. 2a, Jelgava, LV-3002, Latvia  
Company reg. No.: 50003728871  
Phone: +371 63094300  
E-mail: [info@evopipes.lv](mailto:info@evopipes.lv)  
Website: [www.evopipes.lv](http://www.evopipes.lv)

FILE NAME:  
CRS 400-315D Drainage chamber

SHEET: 1 OF 1

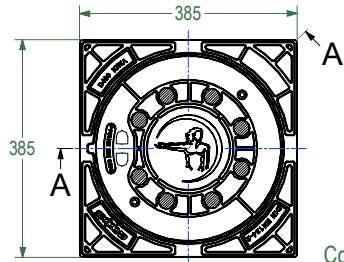
SHEET FORMAT: @ A4

SCALE:  
WITHOUT SCALE

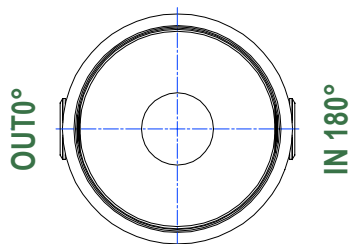
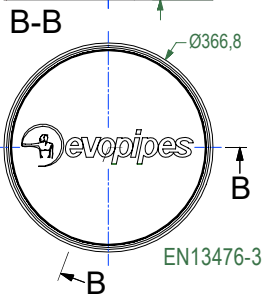
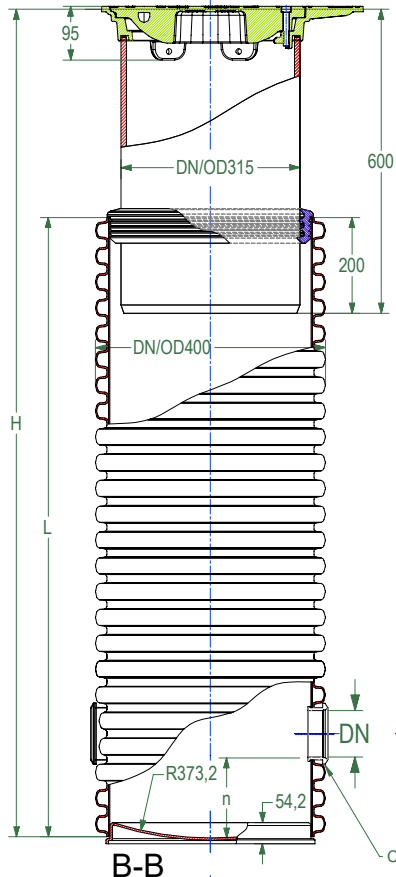
STAGE:  
STANDARD DRAWING

DRAWING No.:	VERSION	REVISION	REVISION STATUS
CRS 400-315D Drainage chamber	EN	1	ACTUAL

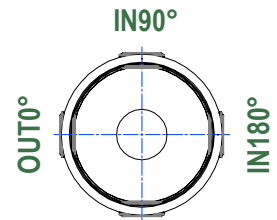
# CRS 400/315D (S/RB)



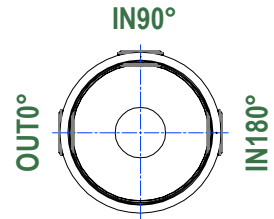
Cover class D400  
acc. to EN 124-2



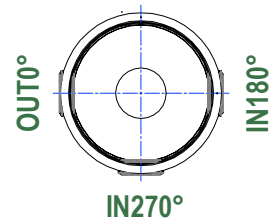
**OUT0° / IN180°**  
DN110, 160, 200 mm



**IN270°**  
**OUT0° / IN90° / IN180° IN270°**  
DN110, 160, 200 mm



**OUT0° / IN90° / IN180°**  
DN110, 160, 200 mm

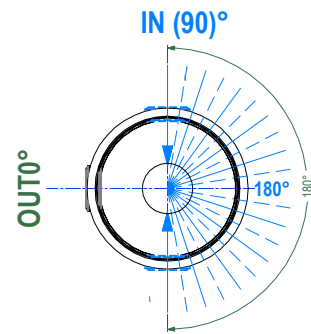


**OUT0° / IN180° IN270°**  
DN110, 160, 200 mm

DN/OD, EN 13476-2,  
EN 1852-1, EN 14758-1



DN/OD, EN 13476-3



**IN (270°)**  
**OUT0° / IN(90 - 270°)**  
DN110, 160, 200 mm

IN - requested connection in desirable angle

Šis rasējums ir SIA Evopipes intelektuālais īpašums. / This drawing is the property of SIA Evopipes and is protected by law.



SIA "EVOPIPES"  
Langervaldes str. 2a, Jelgava, LV-3002, Latvia  
Company reg. No.: 50003728871  
Phone: +371 63094300  
E-mail: [info@evopipes.lv](mailto:info@evopipes.lv)  
Website: [www.evopipes.lv](http://www.evopipes.lv)

FILE NAME:  
CRS 400-315D Drainage chamber

SCALE:  
WITHOUT SCALE

SHEET: 1 OF 1

SHEET FORMAT: @ A4

STAGE:  
STANDARD DRAWING