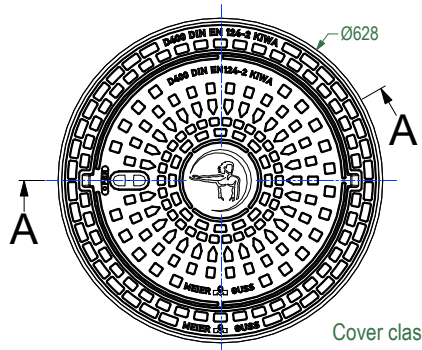
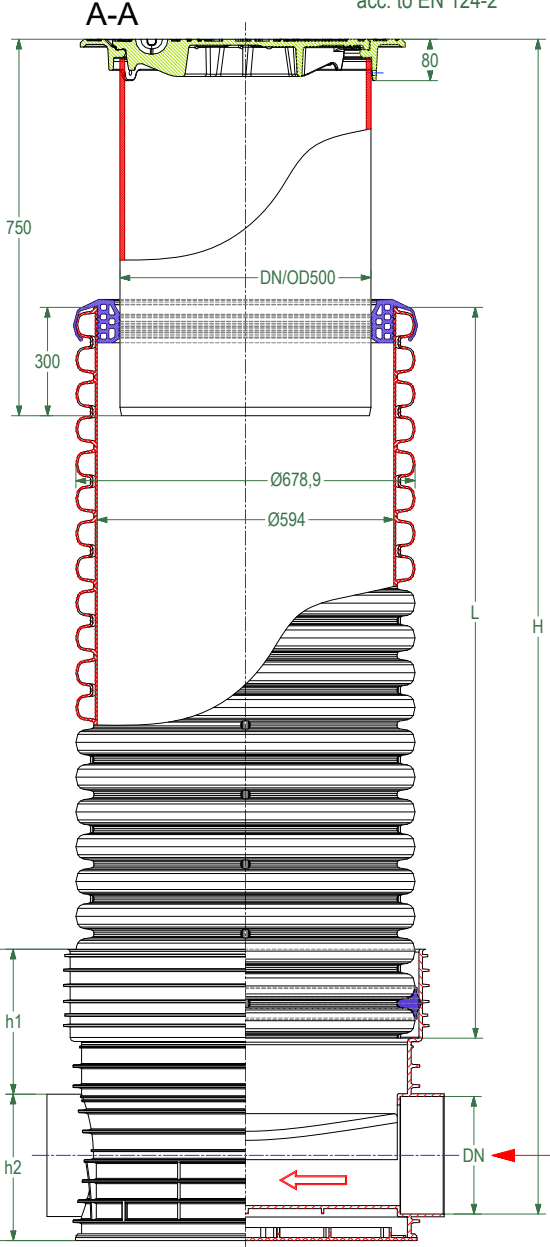


DN600.500.1B

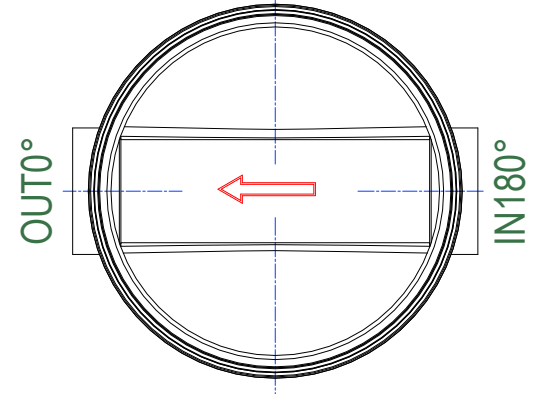
| DRAWING No.: | VERSION | REVISION | REVISION STATUS |
|---------------------|---------|----------|-----------------|
| DN600.500.1B.3BL.1C | EN | 1 | ACTUAL |



Cover class D400
acc. to EN 124-2



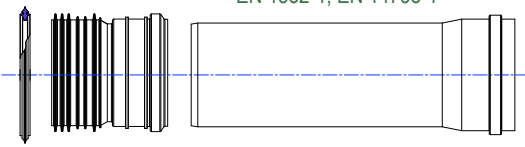
DN600 BASE, TYPE 1B



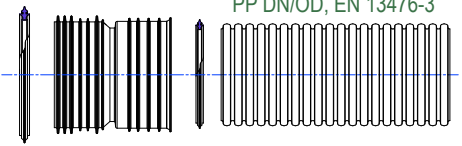
OUT0° / IN180°

DN/ID 200, 250, 300 mm
DN/OD 160, 200, 250, 315 mm

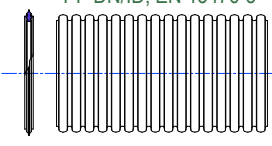
PP DN/OD, EN 13476-2,
EN 1852-1, EN 14758-1



PP DN/OD, EN 13476-3



PP DN/ID, EN 13476-3



| OUT0° / IN180° | h1 | h2 | H1 |
|----------------|-----|-----|-----|
| mm | mm | mm | mm |
| DN 160 | 267 | 289 | 556 |
| DN 200 | 267 | 289 | 556 |
| DN 250 | 236 | 320 | 556 |
| DN 315 | 180 | 376 | 556 |

This drawing is the property of SIA Evopipes and is protected by law.



SIA "EVOPIPES"
Langervaldes str. 2a, Jelgava, LV-3002, Latvia
Company reg. No.: 50003728871
Phone: +371 63094300
E-mail: info@evopipes.lv
Website: www.evopipes.lv

FILE NAME:
DN600.500.1B.3BL.1C

SHEET: 1 OF 1

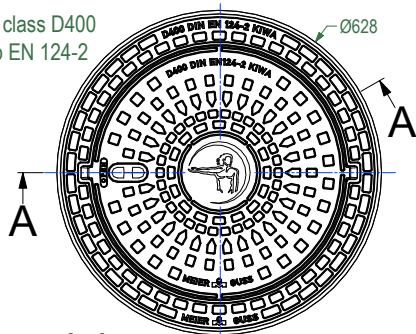
SHEET FORMAT: @A4

SCALE:
WITHOUT SCALE

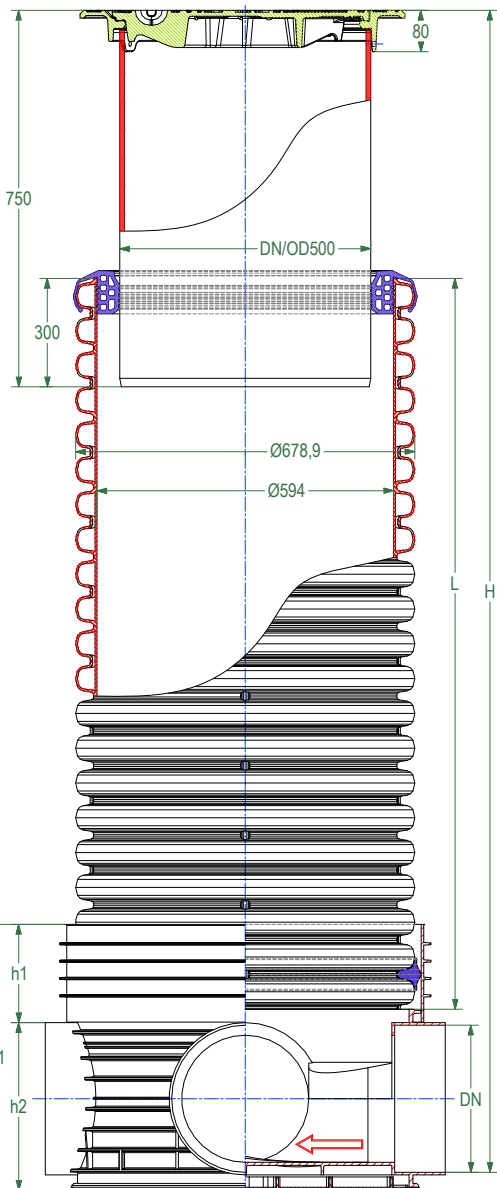
STAGE:
STANDARD DRAWING

DN600.500.3BL

Cover class D400
acc. to EN 124-2



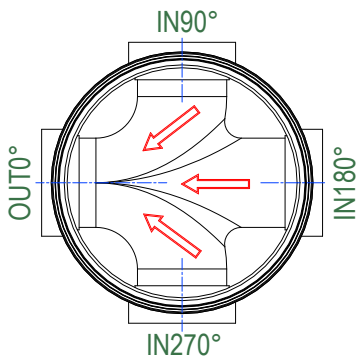
A-A



Chamber base DN600, type 3BL

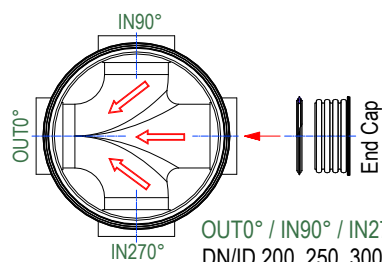
| OUT0° / IN90° / IN180° / IN270° | h1 | h2 | H1 |
|---------------------------------|-----|-----|-----|
| mm | mm | mm | mm |
| DN 160 | 267 | 289 | 556 |
| DN 200 | 267 | 289 | 556 |
| DN 250 | 236 | 320 | 556 |

DN600 BASE, TYPE 3BL



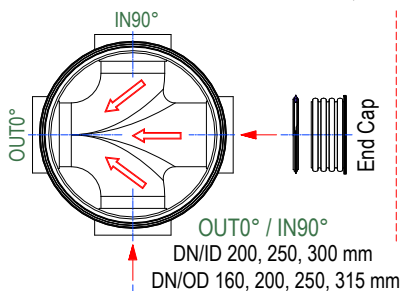
OUT0° / IN90° / IN180° / IN270°
DN/ID 200, 250, 300 mm
DN/OD 160, 200, 250, 315 mm

DN600 BASE, TYPE 2BT



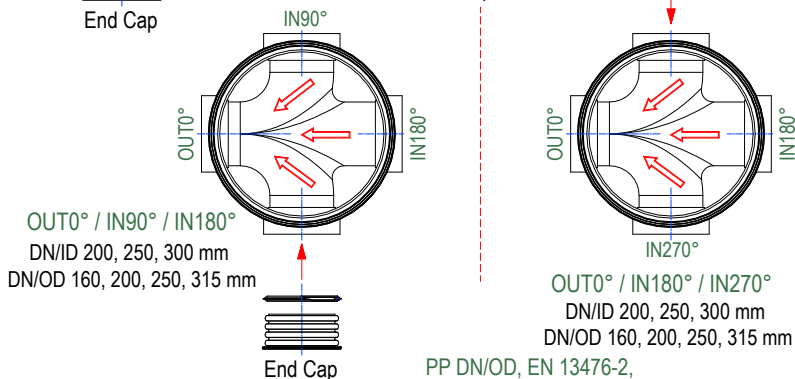
OUT0° / IN90° / IN270°
DN/ID 200, 250, 300 mm
DN/OD 160, 200, 250, 315 mm

DN600 BASE, TYPE 1BB



OUT0° / IN90°
DN/ID 200, 250, 300 mm
DN/OD 160, 200, 250, 315 mm

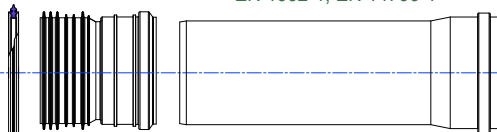
DN600 BASE, TYPE 2BL



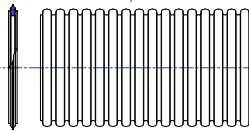
OUT0° / IN90° / IN180°
DN/ID 200, 250, 300 mm
DN/OD 160, 200, 250, 315 mm

OUT0° / IN180° / IN270°
DN/ID 200, 250, 300 mm
DN/OD 160, 200, 250, 315 mm

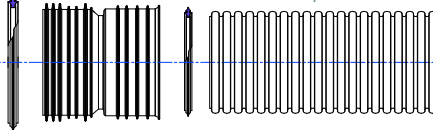
PP DN/OD, EN 13476-2,
EN 1852-1, EN 14758-1



PP DN/ID, EN 13476-3



PP DN/OD, EN 13476-3



NOTE:

By using 3BL type base and end cap(s) it is possible to achieve 1BB, 2BL, 2BT type base configuration.

This drawing is the property of SIA Evopipes and is protected by law.



SIA "EVOPIPES"
Langervaldes str. 2a, Jelgava, LV-3002, Latvia
Company reg. No.: 50003728871
Phone: +371 63094300
E-mail: info@evopipes.lv
Website: www.evopipes.lv

FILE NAME:
DN600.500.1B.3BL.1C

SHEET: 1 OF 1

SHEET FORMAT: @A4

SCALE:

WITHOUT SCALE

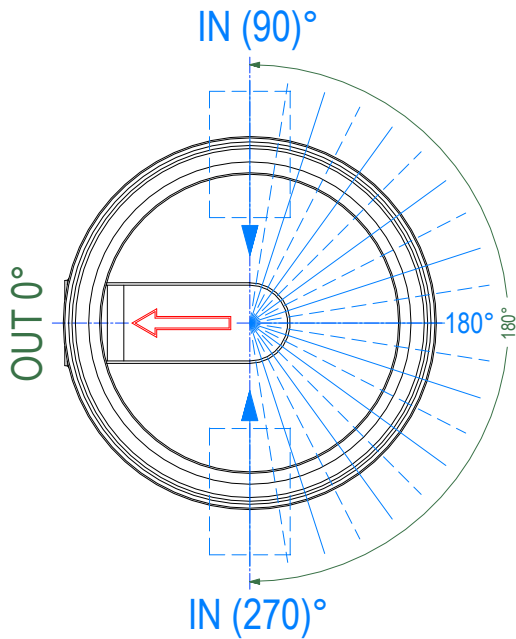
STAGE:

STANDARD DRAWING

| | | | |
|---------------------|---------|----------|-----------------|
| DRAWING No.: | VERSION | REVISION | REVISION STATUS |
| DN600.500.1B.3BL.1C | EN | 1 | ACTUAL |

DN600.500.1C

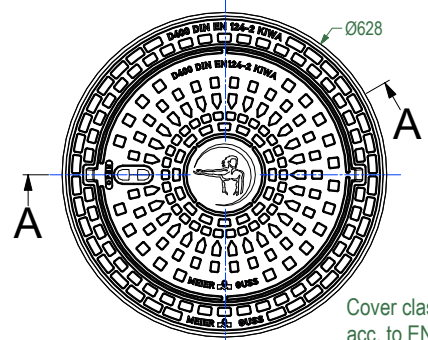
DN600 BASE, TYPE 1C



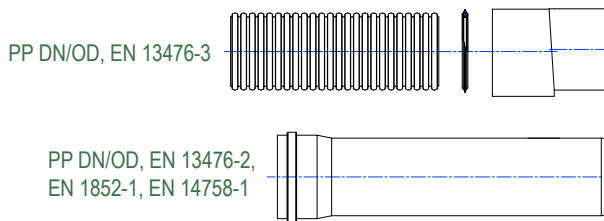
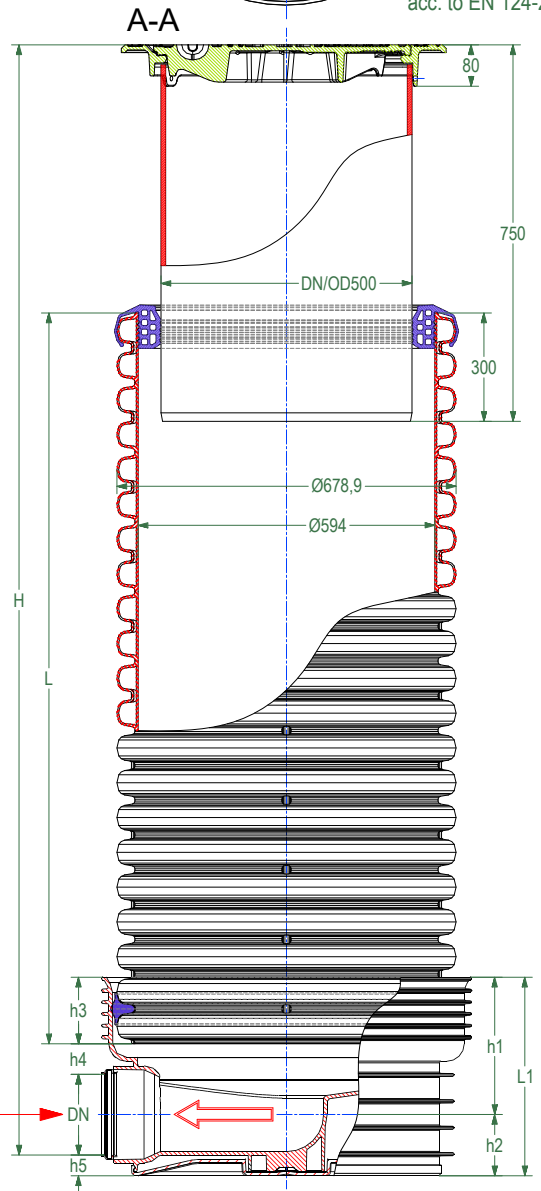
OUT 0° / IN (90 - 270)°

DN160, 200, 250, 315 mm

IN - requested connection in desirable angle



Cover class D400 acc. to EN 124-2



| Chamber base DN600, type 1C | | | | | | |
|-----------------------------|-----|-----|-----|----|----|-----|
| OUT 0° / IN (90-270)° | h1 | h2 | h3 | h4 | h5 | L1 |
| mm | mm | mm | mm | mm | mm | mm |
| DN160 | 272 | 121 | 158 | 33 | 41 | 393 |
| DN200 | 293 | 142 | 158 | 33 | 41 | 435 |
| DN250 | 319 | 168 | 158 | 34 | 42 | 487 |
| DN315 | 353 | 203 | 158 | 36 | 44 | 556 |

This drawing is the property of SIA Evopipes and is protected by law.



SIA "EVOPIPES"
 Langervaldes str. 2a, Jelgava, LV-3002, Latvia
 Company reg. No.: 50003728871
 Phone: +371 63094300
 E-mail: info@evopipes.lv
 Website: www.evopipes.lv

FILE NAME:
 DN600.500.1B.3BL.1C

SHEET: 1 OF 1

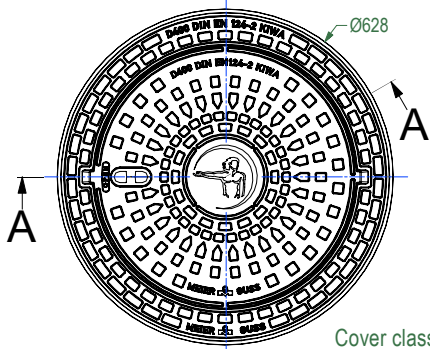
SHEET FORMAT: @A4

SCALE:
 WITHOUT SCALE

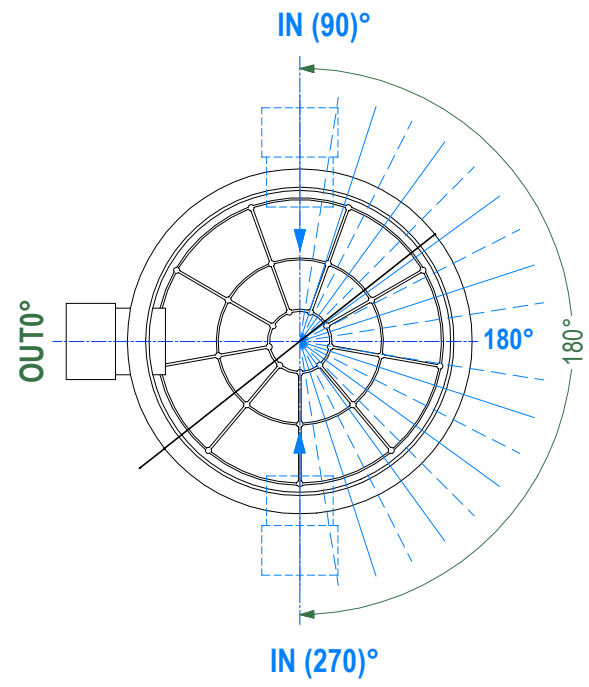
STAGE:
 STANDARD DRAWING

DN600.500

| DRAWING No.: | VERSION | REVISION | REVISION STATUS |
|---------------------|---------|----------|-----------------|
| DN600.500.1B.3BL.1C | EN | 1 | ACTUAL |



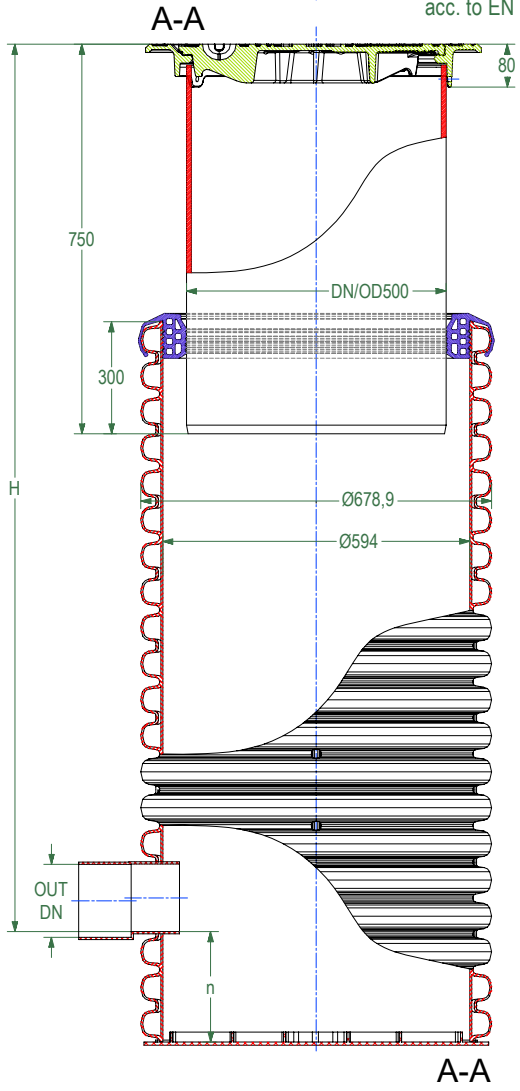
Cover class D400 acc. to EN 124-2



OUT 0° / IN (90 - 270)°

DN110, 160, 200, 250, 315 mm

IN - requested connection in desirable angle



Notes.

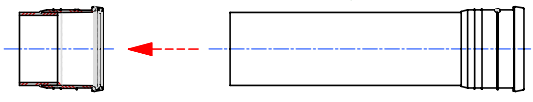
1. Pipe connections are industrially welded to the riser pipe.
2. DN/OD 110, 160, 200 mm connections can be done with rubber sealing ring.

OUT 0° / IN 180°

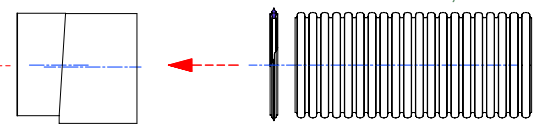
DN/ID 200, 250, 300 mm

DN/OD 110, 160, 200, 250, 315 mm

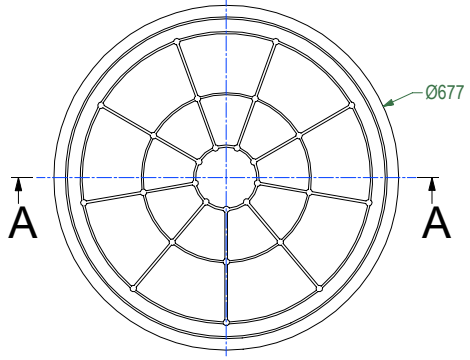
DN/OD, EN 13476-2, EN 1852-1, EN 14758-1



DN/OD or DN/ID, EN 13476-3



for DN/OD 110, 160, 200 mm pipes



This drawing is the property of SIA Evopipes and is protected by law.



SIA "EVOPIPES"
 Langervaldes str. 2a, Jelgava, LV-3002, Latvia
 Company reg. No.: 50003728871
 Phone: +371 63094300
 E-mail: info@evopipes.lv
 Website: www.evopipes.lv

FILE NAME:
 DN600.500.1B.3BL.1C

SHEET: 1 OF 1

SHEET FORMAT: @ A4

SCALE:
 WITHOUT SCALE

STAGE:
 STANDARD DRAWING