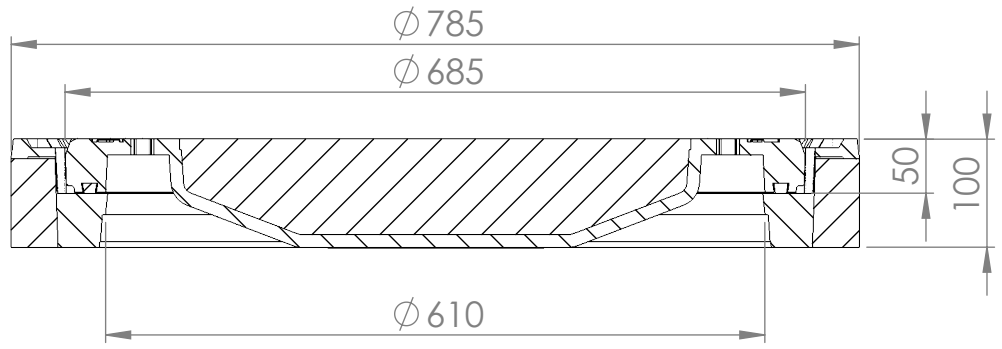


4 3 2 1

F

F

SECTION A-A

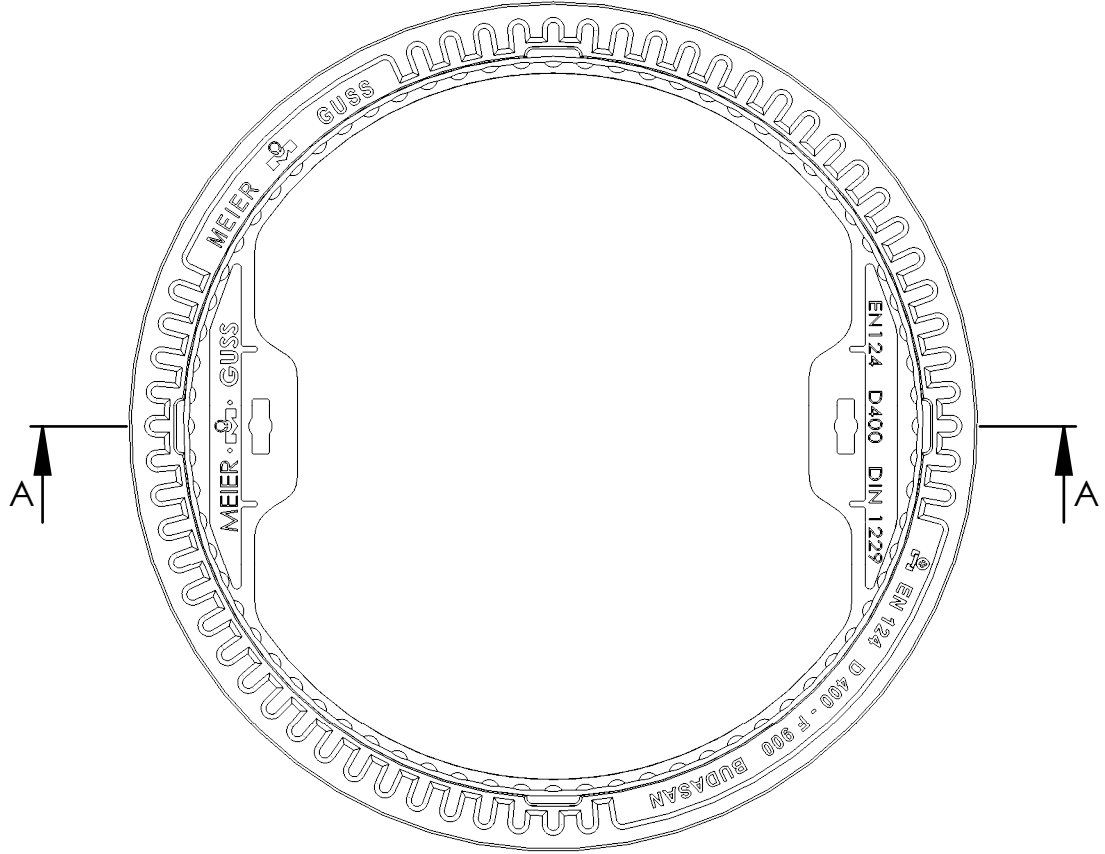


E

E

D

D




C

C

B

B

DRAWN	SIGNATURE	DATE	FORMAT A4	SCALE	 Langervaldes iela 2a, Jelgava, LV-3002, Latvia, Reg. No.: 50003728871	Phone: +371 63094300 E-mail: info@evopipes.lv Web: www.evopipes.lv
APPROVED BY			ORDER No.	PAGE 1 / 1		
DRAWING No.				REVISION 1	PRODUCT BUDASAN DN 785/610 mm; D400	
Unless specified otherwise: dimensions are in millimeters do not scale the drawing					Šis rasējums ir SIA "Evopipes" intelektuālais īpašums. This drawing is the property of SIA Evopipes and is protected by a law.	

A

A

4 3 2 1