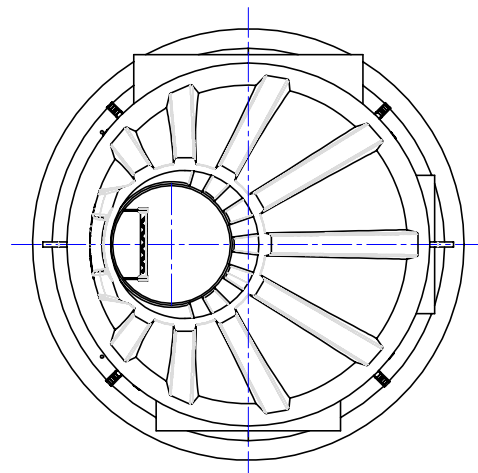
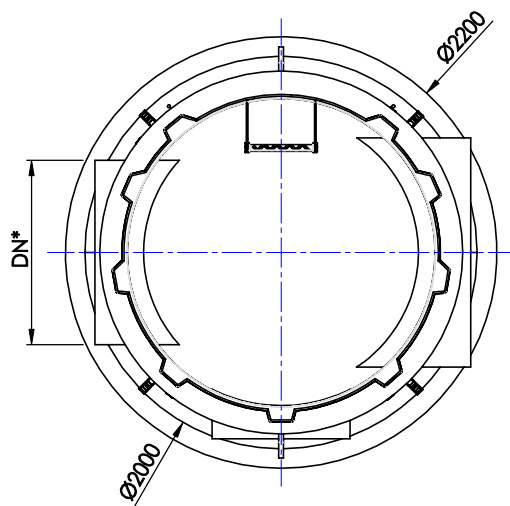
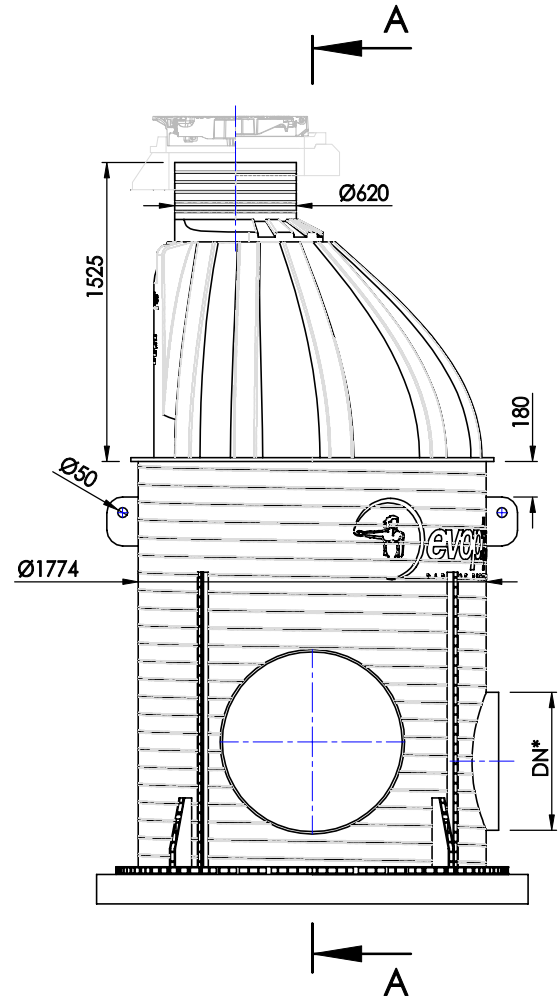
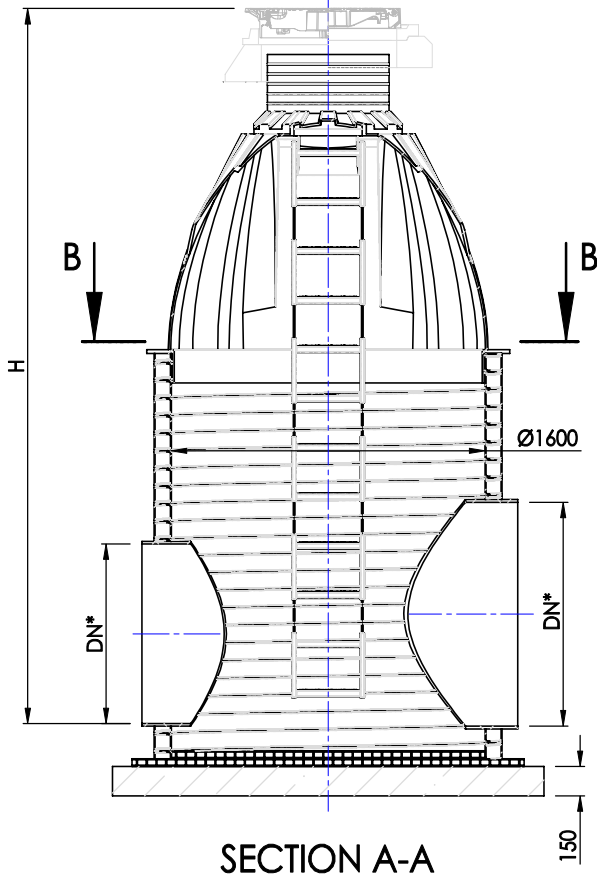


# DN1600.620.ST

DRAWING No.:	VERSION	REVISION	REVISION STATUS
DN_1600_620	EN	1	ACTUAL

The chamber cover type (self-leveling or stationary) and load class must be selected according to the needs of the project. See [www.evopipes.com](http://www.evopipes.com) for possible chamber cover solutions in the Products section - Chamber covers, grates and support rings.



\* DN/ID - 300, 400, 500, 600, 800, 1000, 1200  
 DN/OD - 110, 160, 200, 250, 315, 400

*This drawing is the property of SIA Evopipes and is protected by law.*



SIA "EVOPIPES"  
 Langervaldes str. 2a, Jelgava, LV-3002, Latvia  
 Company reg. No.: 50003728871  
 Phone: +371 63094300  
 E-mail: [info@evopipes.lv](mailto:info@evopipes.lv)  
 Website: [www.evopipes.lv](http://www.evopipes.lv)

FILE NAME:  
 DN\_1600\_620

SHEET: 1 OF 3

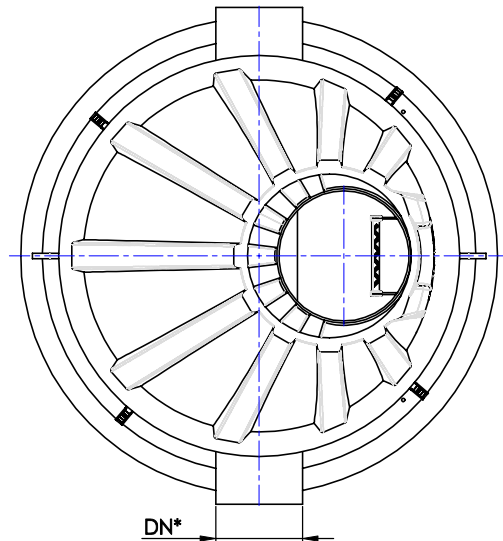
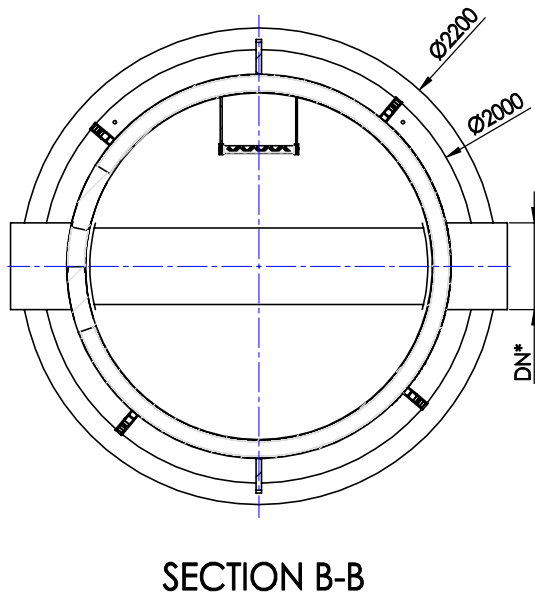
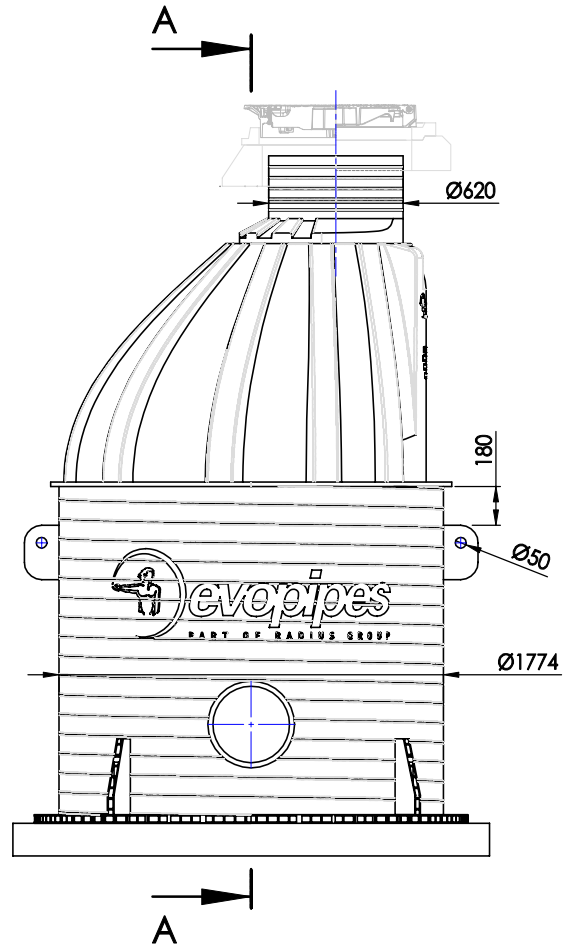
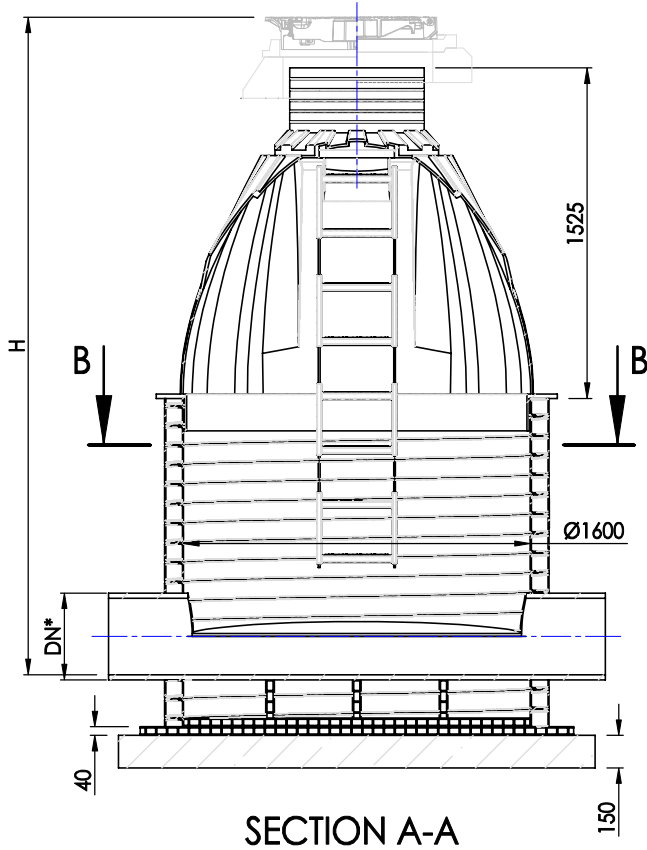
SHEET FORMAT: @ A4

SCALE:  
 WITHOUT SCALE  
 STAGE:  
 STANDARD DRAWING

# DN1600.620.1B

DRAWING No.:	VERSION	REVISION	REVISION STATUS
DN_1600_620	EN	1	ACTUAL

The chamber cover type (self-leveling or stationary) and load class must be selected according to the needs of the project. See [www.evopipes.com](http://www.evopipes.com) for possible chamber cover solutions in the Products section - Chamber covers, grates and support rings.



\* DN/OD - 110, 160, 200, 250, 315, 400 mm  
 DN/ID - 300, 400, 500, 600, 800 mm

*This drawing is the property of SIA Evopipes and is protected by law.*



SIA "EVOPIPES"  
 Langervaldes str. 2a, Jelgava, LV-3002, Latvia  
 Company reg. No.: 50003728871  
 Phone: +371 63094300  
 E-mail: [info@evopipes.lv](mailto:info@evopipes.lv)  
 Website: [www.evopipes.lv](http://www.evopipes.lv)

FILE NAME:  
 DN\_1600\_620

SHEET: 2 OF 3

SHEET FORMAT: @ A4

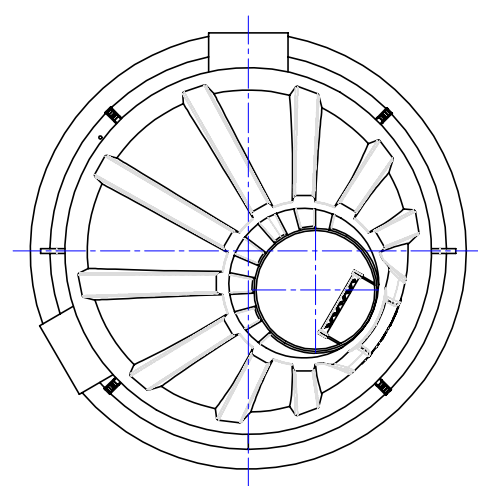
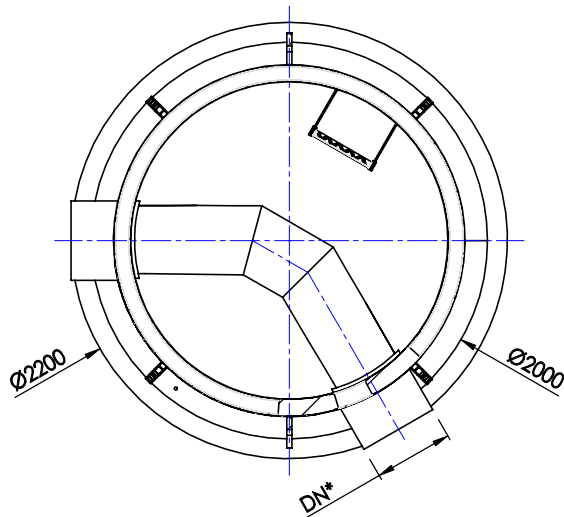
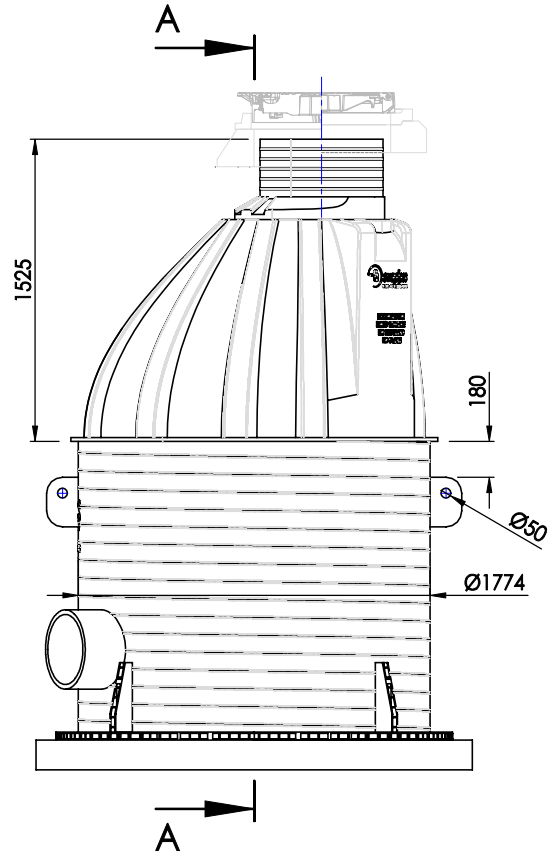
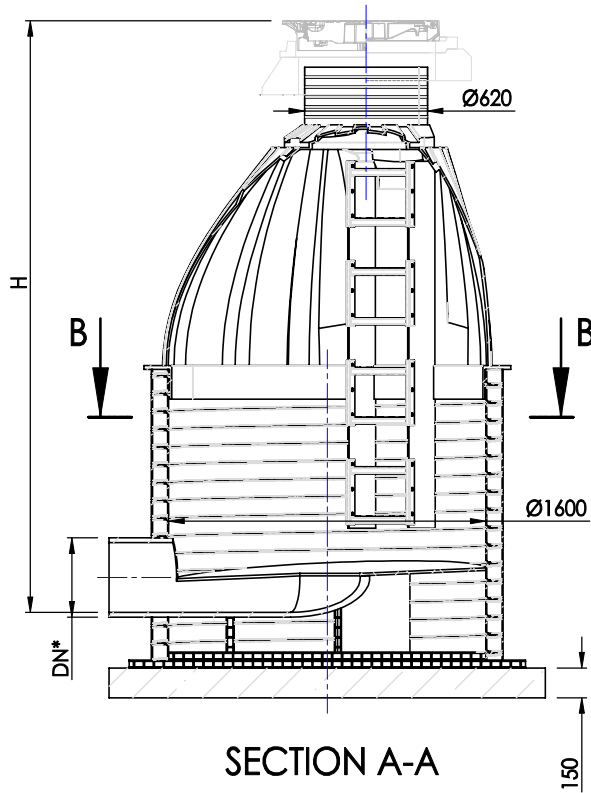
SCALE:  
 WITHOUT SCALE

STAGE:  
 STANDARD DRAWING

DRAWING No.:	VERSION	REVISION	REVISION STATUS
DN_1600_620	EN	1	ACTUAL

# DN1600.620.1BB

The chamber cover type (self-leveling or stationary) and load class must be selected according to the needs of the project. See [www.evopipes.com](http://www.evopipes.com) for possible chamber cover solutions in the Products section - Chamber covers, grates and support rings.



\*DN/OD - 110, 160, 200, 250, 315, 400  
 DN/ID - 300, 400, 500, 600

*This drawing is the property of SIA Evopipes and is protected by law.*



SIA "EVOPIPES"  
 Langervaldes str. 2a, Jelgava, LV-3002, Latvia  
 Company reg. No.: 50003728871  
 Phone: +371 63094300  
 E-mail: [info@evopipes.lv](mailto:info@evopipes.lv)  
 Website: [www.evopipes.lv](http://www.evopipes.lv)

FILE NAME:  
 DN\_1600\_620

SHEET: 3 OF 3

SHEET FORMAT: @ A4

SCALE:  
 WITHOUT SCALE

STAGE:  
 STANDARD DRAWING