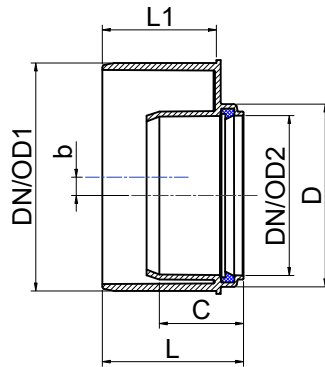


DRAWING No.:	VERSION	REVISION	REVISION STATUS
REDUCTIONSOCKET SHORT PP SIZE	EN	1	ACTUAL



DN/OD1, mm	DN/OD2, mm	D, mm	L1, mm	b, mm	C, mm	L, mm
Ø160	Ø110	Ø128,2	80	13	59	99



SIA "EVOPIPES"
Langervaldes str. 2a, Jelgava, LV-3002, Latvia
Company reg. No.: 50003728871
Phone: +371 63094300
E-mail: info@evopipes.lv
Website: www.evopipes.lv

FILE NAME:
REDUCTIONSOCKET SHORT PP SIZE

SHEET: 1 OF 1

SHEET FORMAT: @ A4

SCALE:
WITHOUT SCALE
STAGE:
STANDARD DRAWING