
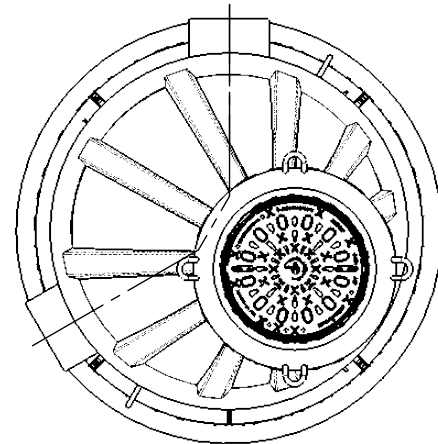
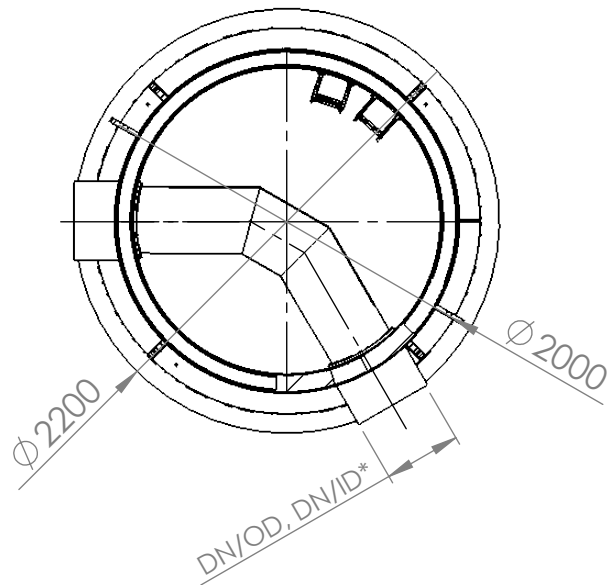
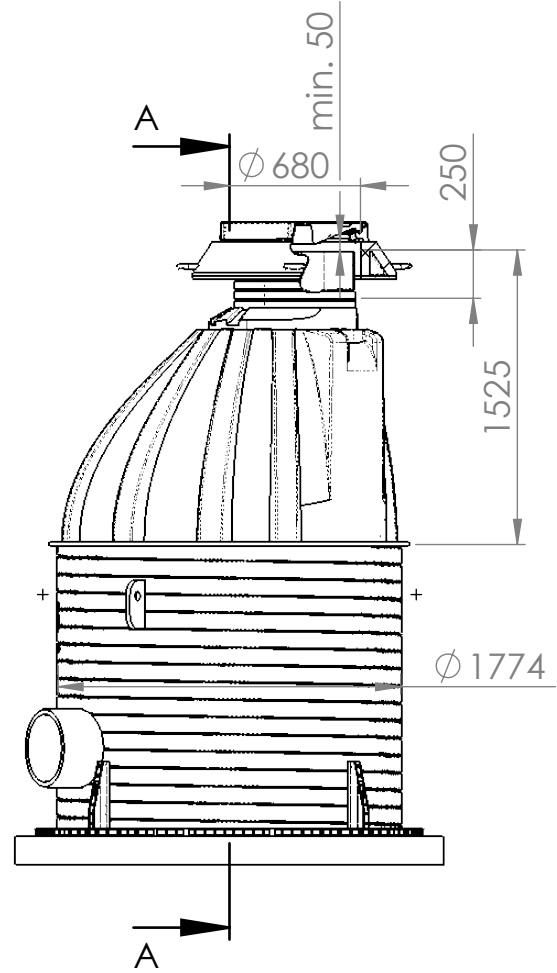
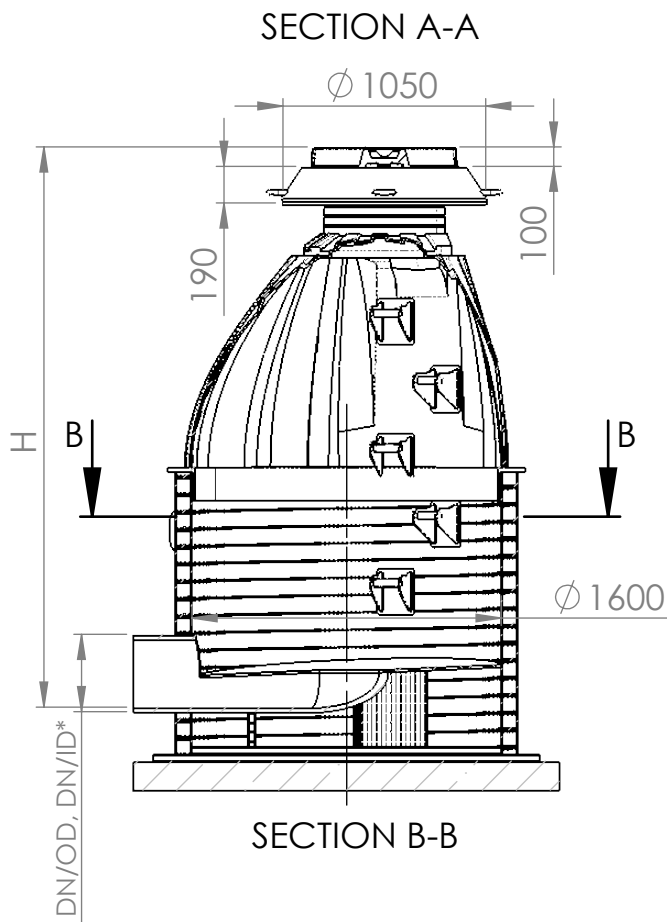


Self-leveling type cover:
EN 124-2 (D400/40t), RAL-GZ692


*DN/OD - 110, 160, 200, 250, 315, 400
DN/ID - 300, 400, 500, 600

DRAWN	SIGNATURE	DATE	FORMAT A4	SCALE	 Langervaldes iela 2a, Jelgava, LV-3002, Latvia, Reg. No.: 50003728871	Phone: +371 63094300 E-mail: info@evopipes.lv Web: www.evopipes.lv
APPROVED BY			ORDER No.	PAGE 1 / 1		
DRAWING No. DN1600_620_TL_SL				REVISION 1	PRODUCT GIGA Chamber DN 1600 mm	
Unless specified otherwise: dimensions are in millimeters do not scale the drawing					CUSTOMER	
				This drawing is the property of SIA Evopipes and is protected by a law. This document must not be copied or disclosed to third parties without permission.		



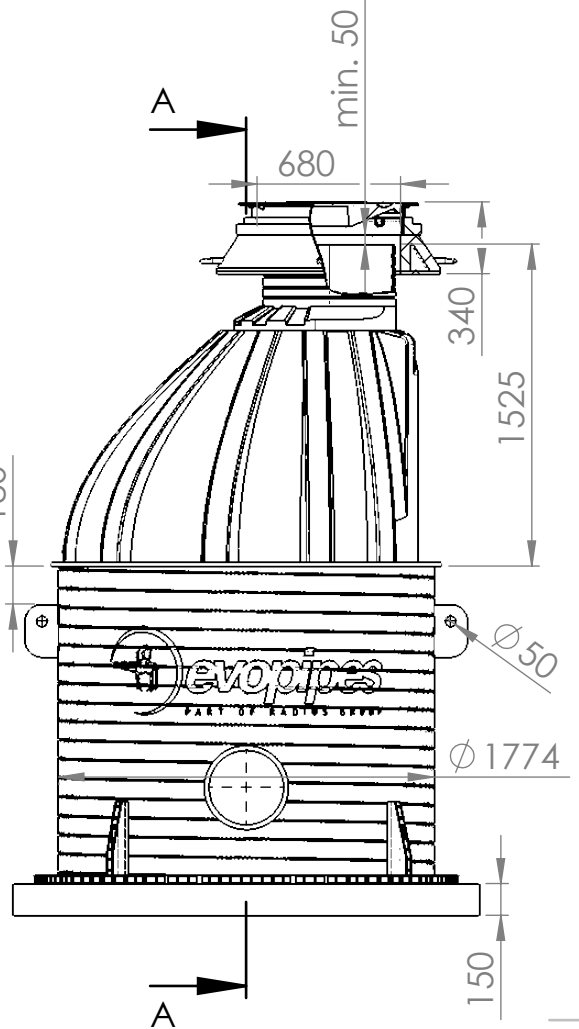
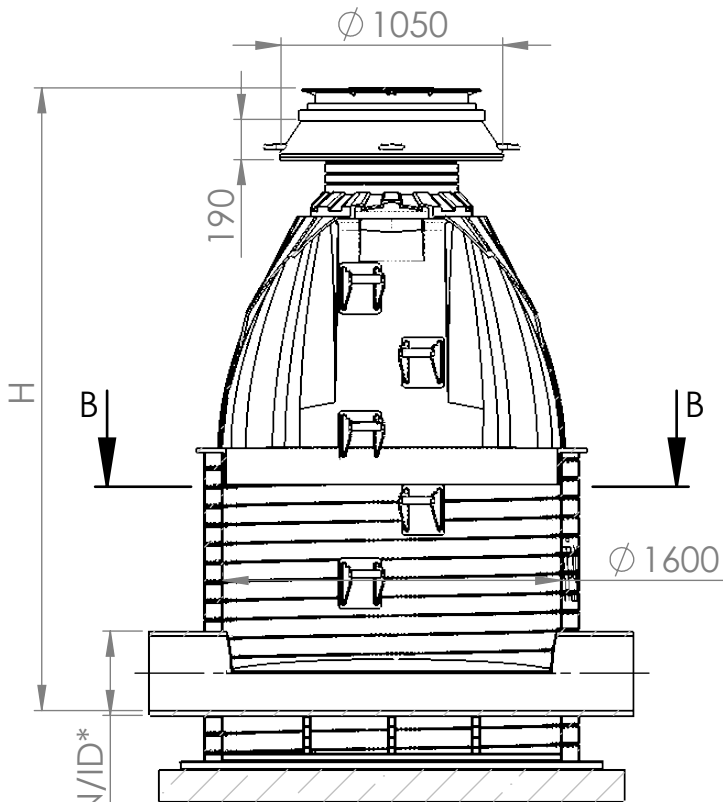
Stationary type cover:
EN 124-2 (D400/40t), RAL-GZ692

*DN/OD - 110, 160, 200, 250, 315, 400
DN/ID - 300, 400, 500, 600

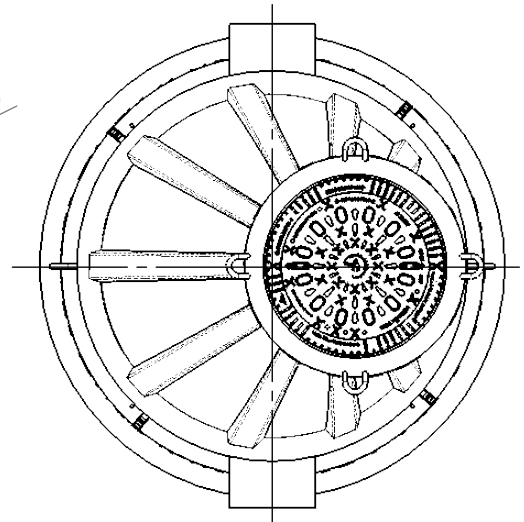
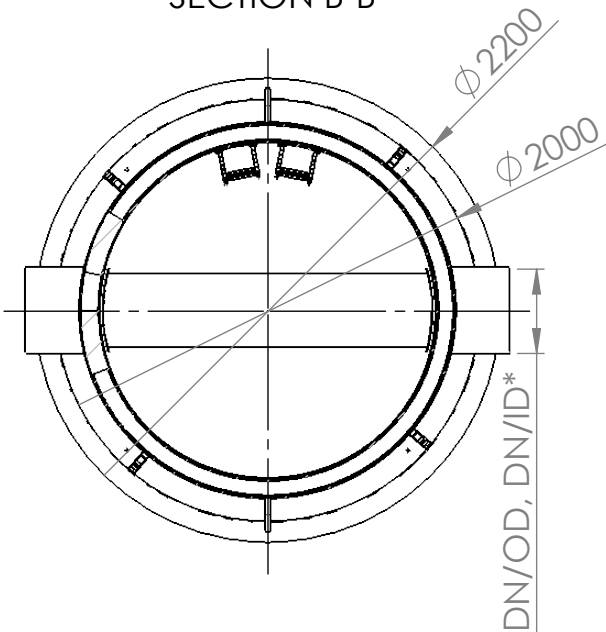
DRAWN	SIGNATURE	DATE	FORMAT A4	SCALE	 Langervaldes iela 2a, Jelgava, LV-3002, Latvia, Reg. No.: 50003728871 Phone: +371 63094300 E-mail: info@evopipes.lv Web: www.evopipes.lv
APPROVED BY			ORDER No.	PAGE 1 / 1	
DRAWING No. DN1600_620_TL_S			REVISION 1	PRODUCT GIGA Chamber DN 1600 mm	
Unless specified otherwise: dimensions are in millimeters do not scale the drawing			CUSTOMER		
			This drawing is the property of SIA Evopipes and is protected by a law. This document must not be copied or disclosed to third parties without permission.		

4 3 2 1

SECTION A-A




SECTION B-B

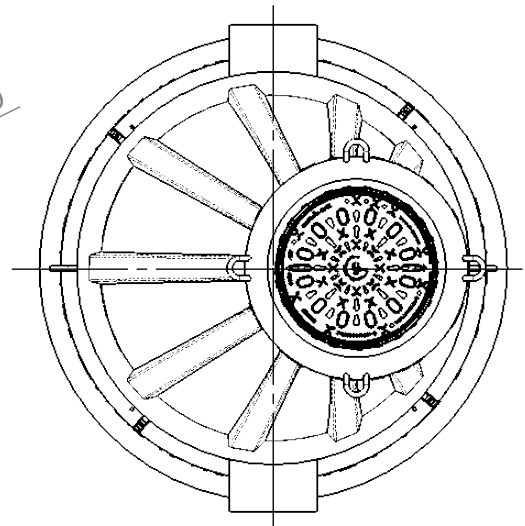
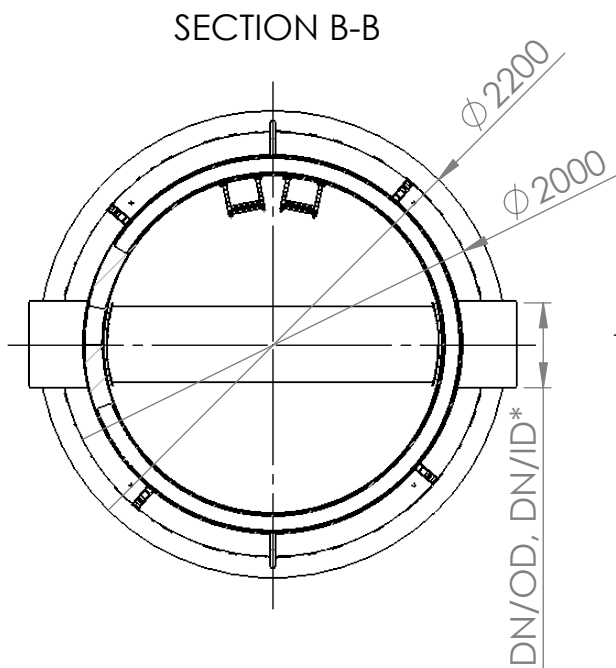
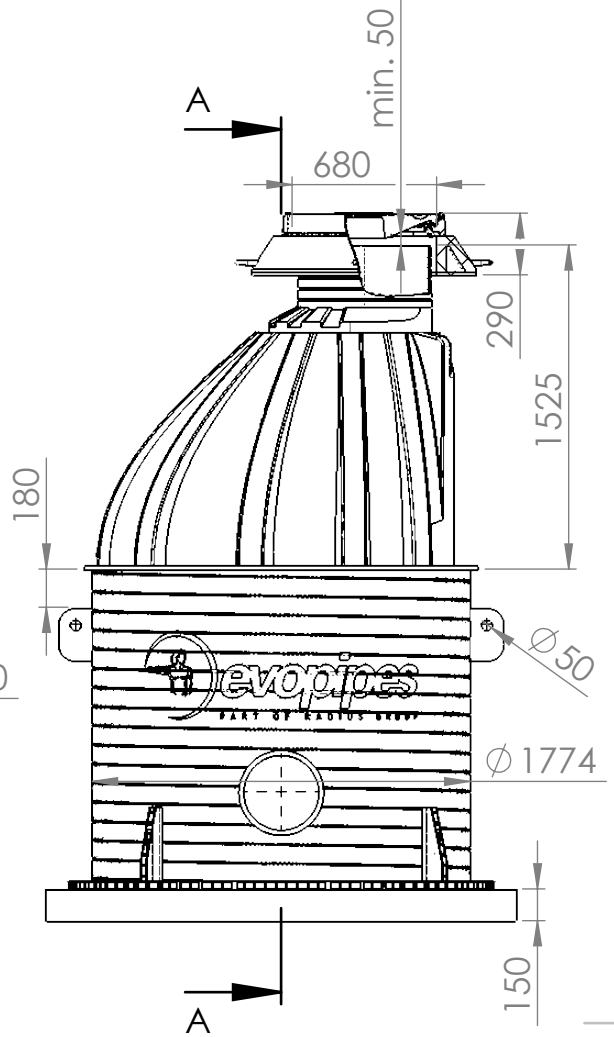
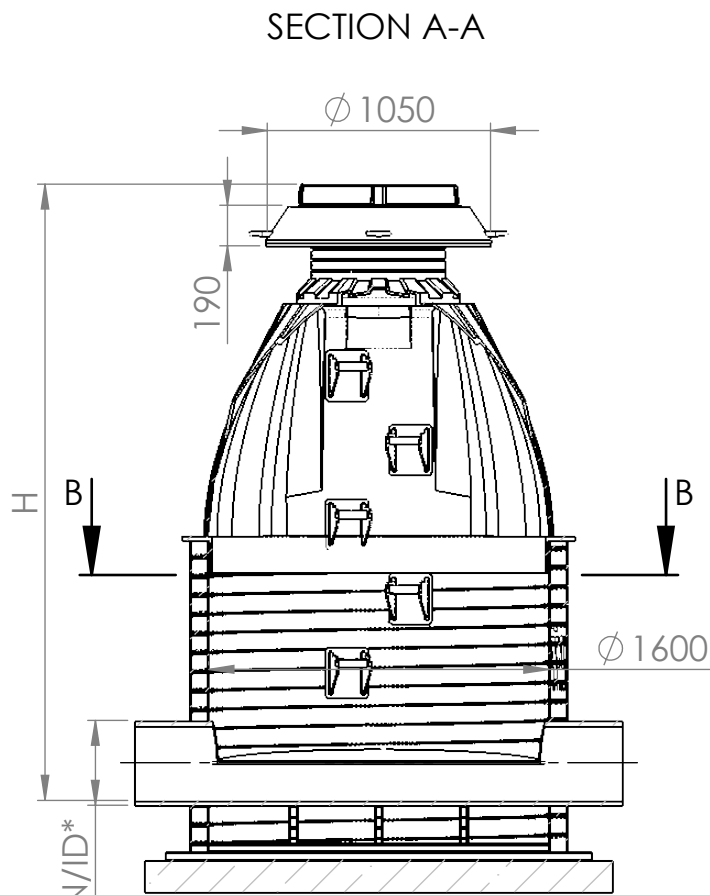


Self-leveling type cover:
LVS EN 124-2 (D400/40t), RAL-GZ692

* DN/OD - 110, 160, 200, 250, 315, 400 mm
DN/ID - 300, 400, 500, 600 mm

DRAWN	SIGNATURE	DATE	FORMAT A4	SCALE	 Langervaldes iela 2a, Jelgava, LV-3002, Latvia, Reg. No.: 50003728871	Phone: +371 63094300 E-mail: info@evopipes.lv Web: www.evopipes.lv
APPROVED BY			ORDER No.	PAGE 1 / 1		
DRAWING No. DN1600_620_TT_SL				REVISION 0	PRODUCT GIGA Chamber DN 1600 mm	
Unless specified otherwise: dimensions are in millimeters do not scale the drawing					CUSTOMER	
This drawing is the property of SIA Evopipes and is protected by a law. This document must not be copied or disclosed to third parties without permission.						

4 3 2 1



Stationary type cover:
EN 124-2 (D400/40t), RAL-GZ692

* DN/OD - 110, 160, 200, 250, 315, 400 mm
DN/ID - 300, 400, 500, 600 mm

DRAWN	SIGNATURE	DATE	FORMAT A4	SCALE
APPROVED BY			ORDER No.	PAGE 1 / 1
DRAWING No. DN1600_620_TT_S			REVISION 0	CUSTOMER



evopipes
PART OF RADIUS GROUP

Langervaldes iela 2a,
Jelgava, LV-3002, Latvia,
Reg. No.: 50003728871

Phone: +371 63094300
E-mail: info@evopipes.lv
Web: www.evopipes.lv

GIGA Chamber DN 1600 mm

Unless specified otherwise:
dimensions are in millimeters
do not scale the drawing

This drawing is the property of SIA Evopipes and is protected by a law. This document must not be copied or disclosed to third parties without permission.