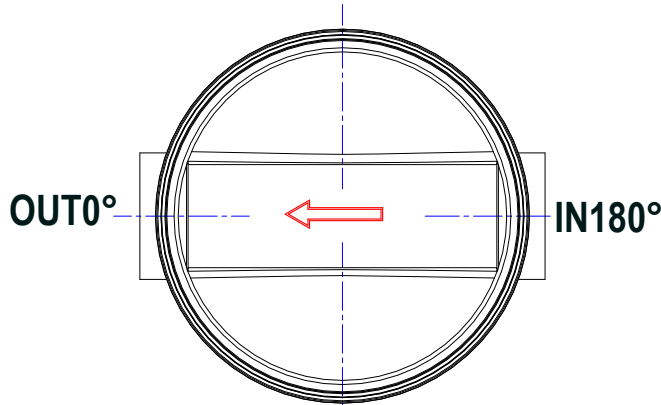
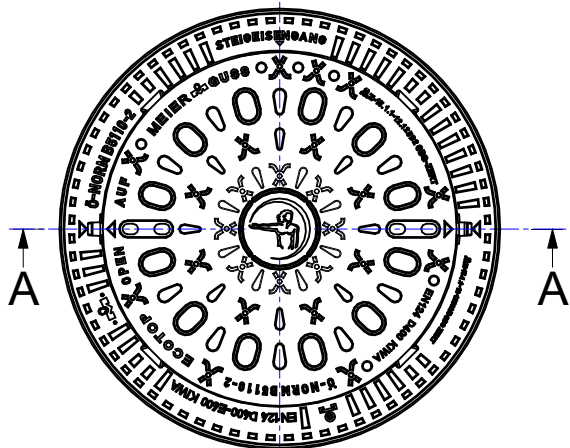


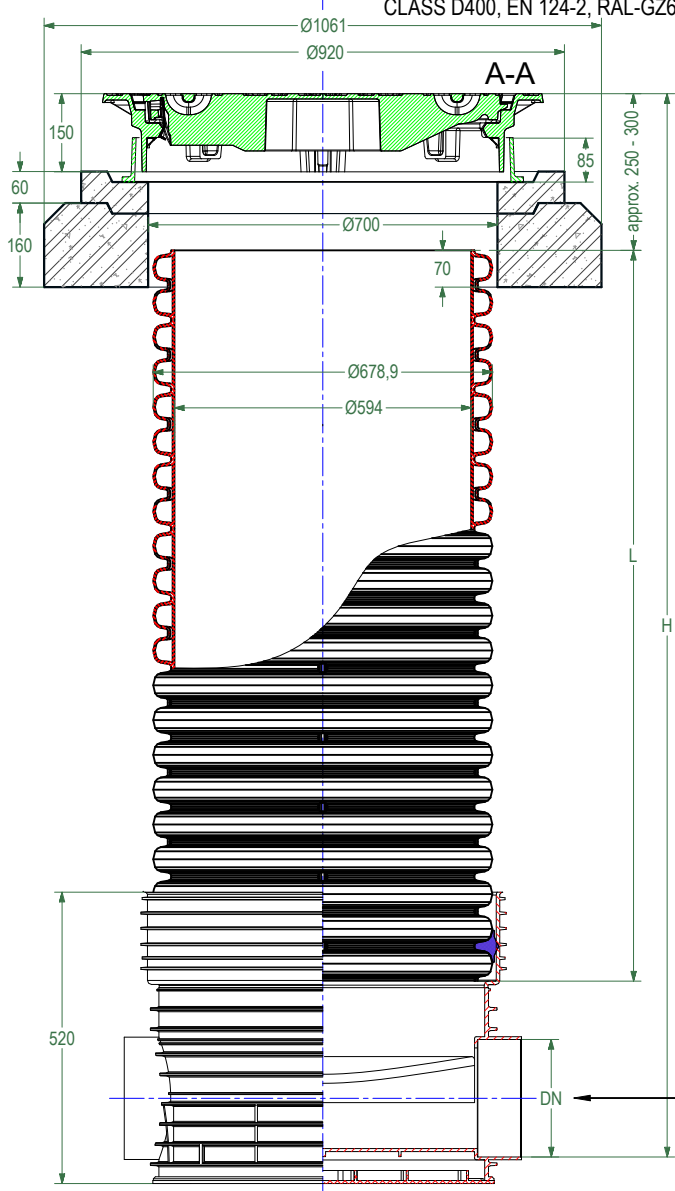
# CSL ID600.DN700.D400.SL.1B

DRAWING No.:	VERSION	REVISION	REVISION STATUS
CSL ID600.DN700.D400.SL.1B	EN	1	ACTUAL

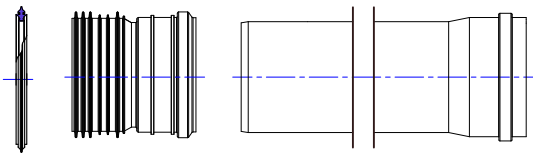


CLASS D400, EN 124-2, RAL-GZ692

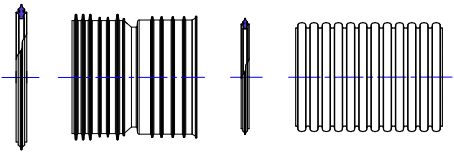
**OUT0° / IN180°**  
DN160, 200, 250, 315 mm



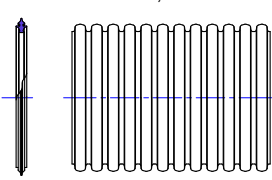
PP DN/OD, EN 13476-2, EN 1852-1, EN 14758-1



PP DN/OD, EN 13476-3



PP DN/ID, EN 13476-3



*This drawing is not suitable for the design and construction of other objects without the consent of SIA "EVOPIPES"*



SIA "EVOPIPES"  
Langervaldes str. 2a, Jelgava, LV-3002, Latvia  
Company reg. No.: 50003728871  
Phone: +371 63094300  
E-mail: [info@evopipes.lv](mailto:info@evopipes.lv)  
Website: [www.evopipes.lv](http://www.evopipes.lv)

FILE NAME:  
CSL ID600.DN700.D400.SL.1B

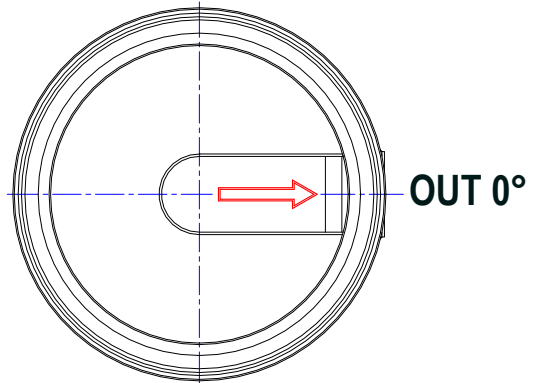
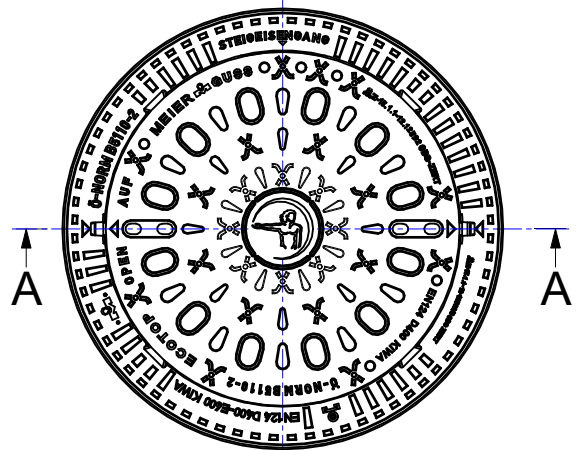
SHEET: 1 OF 1

SHEET FORMAT: @A4

SCALE:  
NOT TO SCALE  
STAGE:  
STANDARD DRAWING

DRAWING No.:	VERSION	REVISION	REVISION STATUS
CSL ID600.DN700.D400.SL.1C	EN	1	ACTUAL

# CSL ID600.DN700.D400.SL.1C

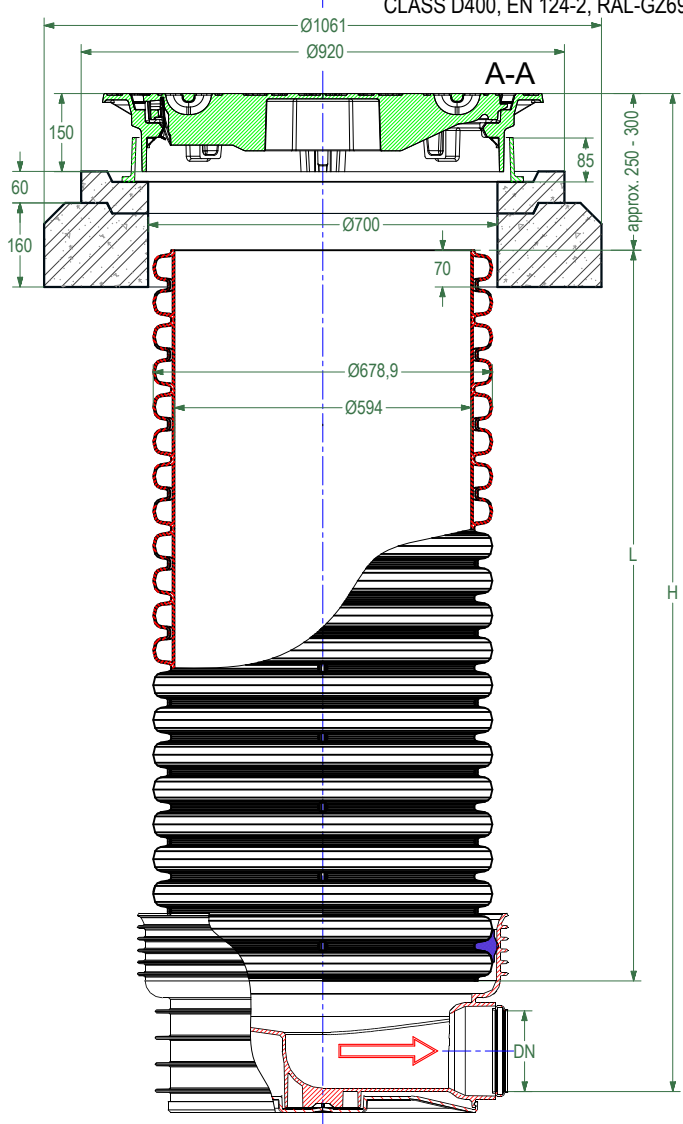


**OUT 0°**

DN160, 200, 250, 315 mm

**IN - requested connection in desirable angle**

CLASS D400, EN 124-2, RAL-GZ692



PP DN/OD, EN 13476-2, EN 1852-1, EN 14758-1

*This drawing is not suitable for the design and construction of other objects without the consent of SIA "EVOPIPES"*



SIA "EVOPIPES"  
 Langervaldes str. 2a, Jelgava, LV-3002, Latvia  
 Company reg. No.: 50003728871  
 Phone: +371 63094300  
 E-mail: [info@evopipes.lv](mailto:info@evopipes.lv)  
 Website: [www.evopipes.lv](http://www.evopipes.lv)

FILE NAME:  
 CSL ID600.DN700.D400.SL.1C

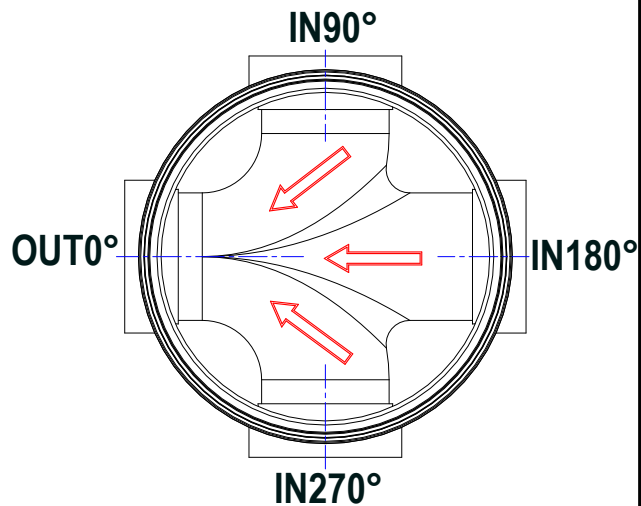
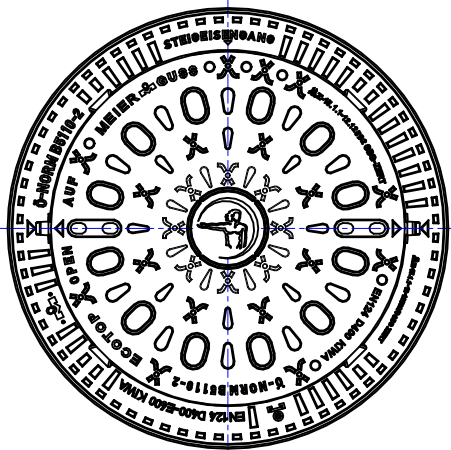
SHEET:	1 OF 1	SHEET FORMAT:	@ A4
--------	--------	---------------	------

SCALE:  
 NOT TO SCALE

STAGE:  
 STANDARD DRAWING

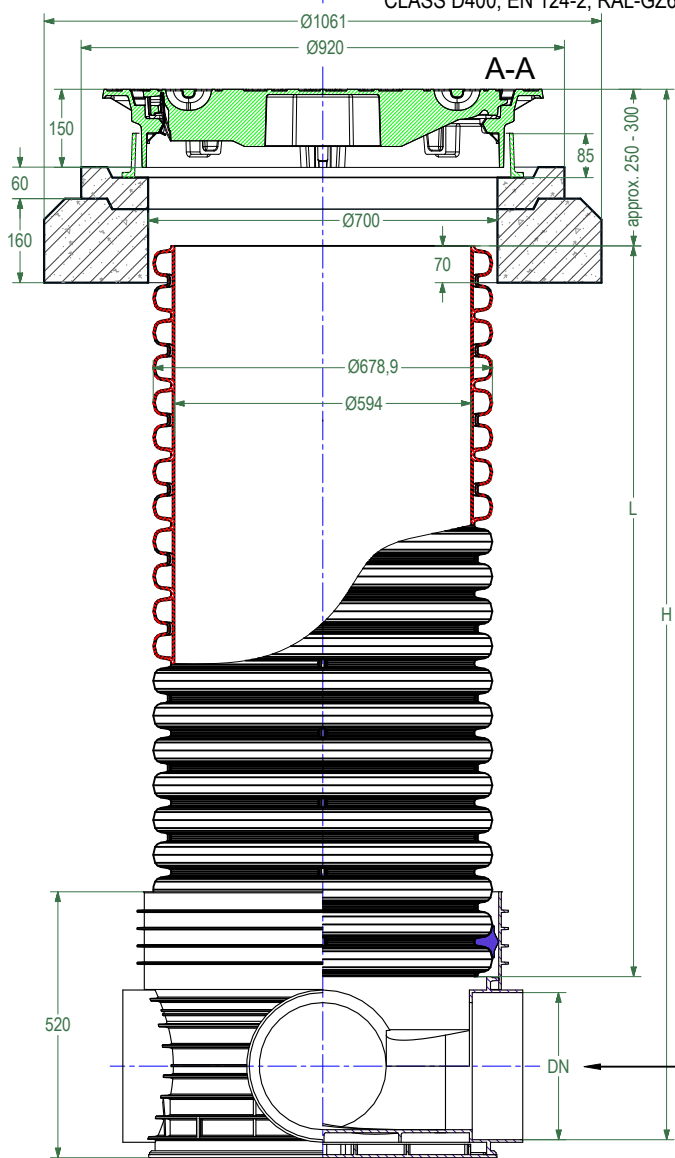
# CSL ID600.DN700.D400.SL.3BL

DRAWING No.:	VERSION	REVISION	REVISION STATUS
CSL ID600.DN700.D400.SL.3BL	EN	1	ACTUAL

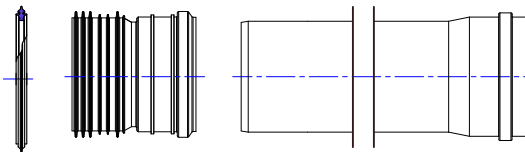


CLASS D400, EN 124-2, RAL-GZ692

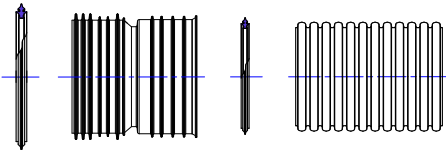
**OUT0° / IN90° / IN180° / IN270°**  
DN160, 200, 250, 315 mm



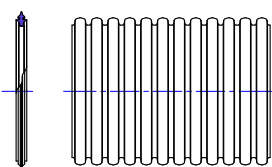
PP DN/OD, EN 13476-2, EN 1852-1, EN 14758-1



PP DN/OD, EN 13476-3



PP DN/ID, EN 13476-3



*This drawing is not suitable for the design and construction of other objects without the consent of SIA "EVOPIPES"*



SIA "EVOPIPES"  
Langervaldes str. 2a, Jelgava, LV-3002, Latvia  
Company reg. No.: 50003728871  
Phone: +371 63094300  
E-mail: [info@evopipes.lv](mailto:info@evopipes.lv)  
Website: [www.evopipes.lv](http://www.evopipes.lv)

FILE NAME:  
CSL ID600.DN700.D400.SL.3BL

SHEET: 1 OF 1

SHEET FORMAT: @A4

SCALE:  
NOT TO SCALE

STAGE:  
STANDARD DRAWING