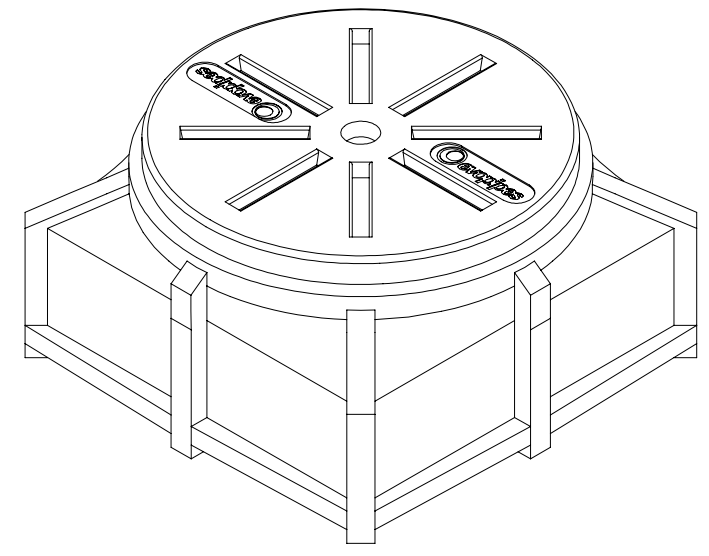
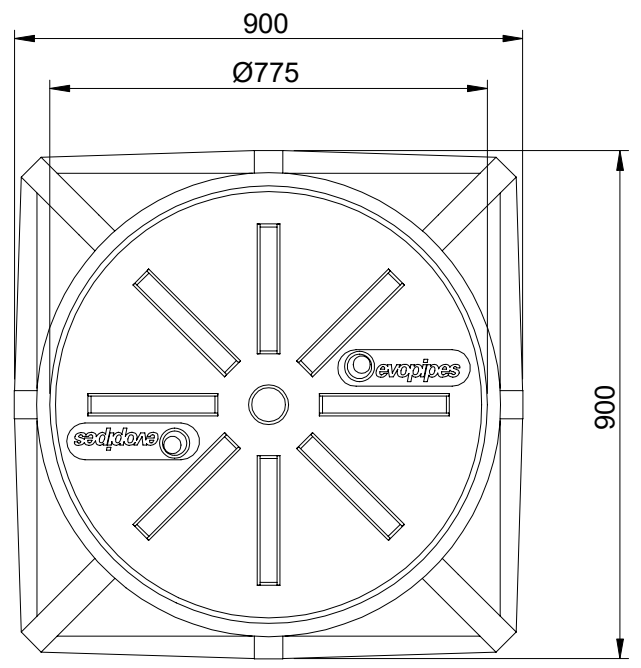
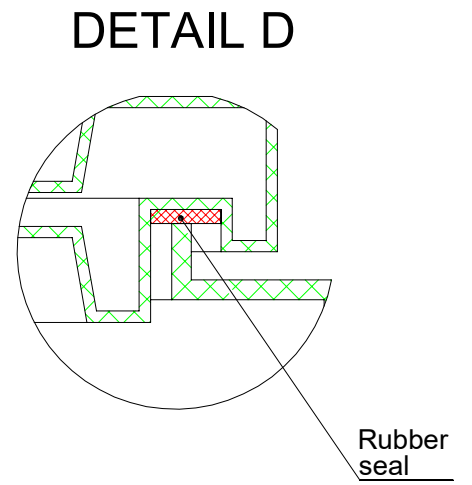
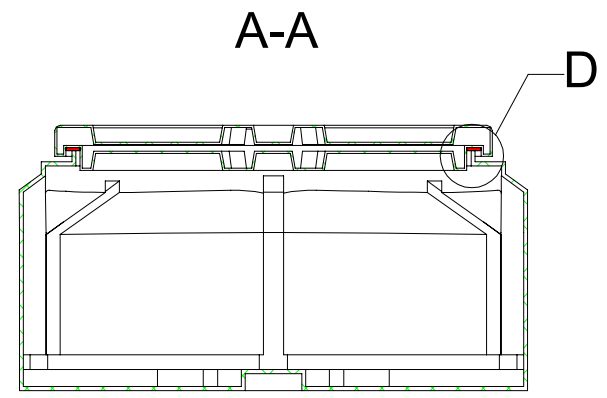
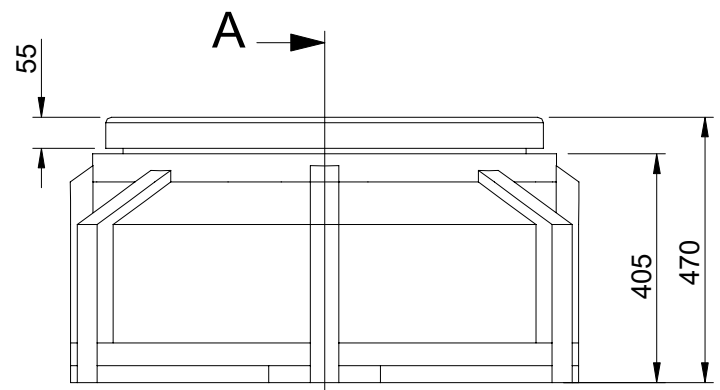



DRAWING No.:	VERSION	REVISION	REVISION STATUS
TC900.700.450	EN	1	ACTUAL



	SIA "EVOPIPES" Langervaldes str. 2a, Jelgava, LV-3002, Latvia Company reg. No.: 50003728871 Phone: +371 63094300 E-mail: info@evopipes.lv Website: www.evopipes.lv		FILE NAME: TC900.700.450.dwg	SCALE: WITHOUT SCALE
	SHEET: 1 OF 1	SHEET FORMAT: @ A4	STAGE: STANDARD DRAWING	