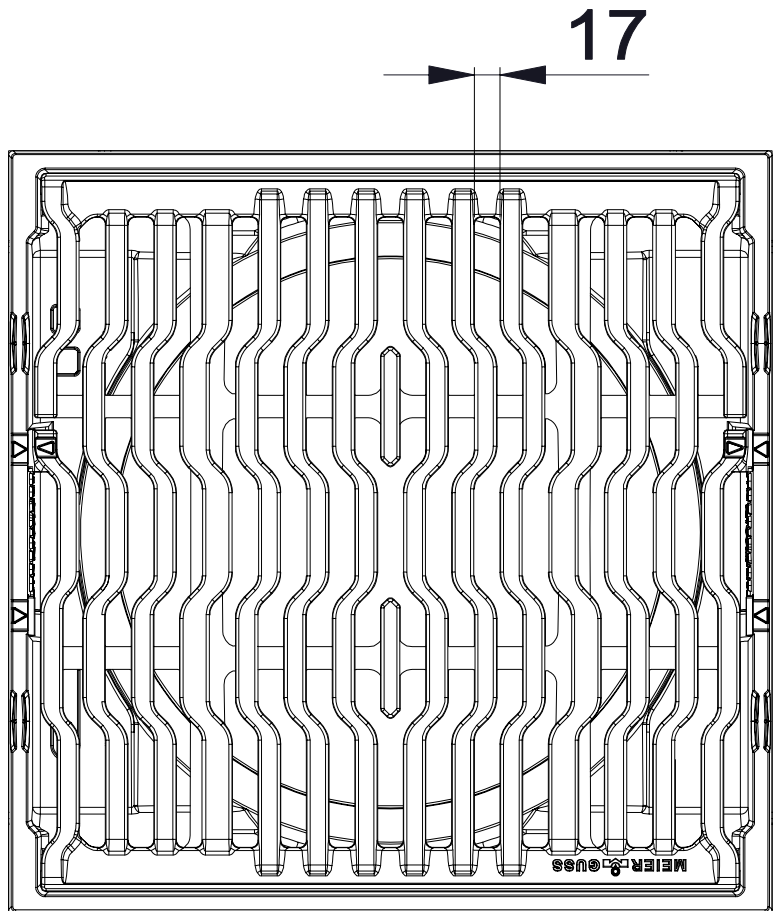
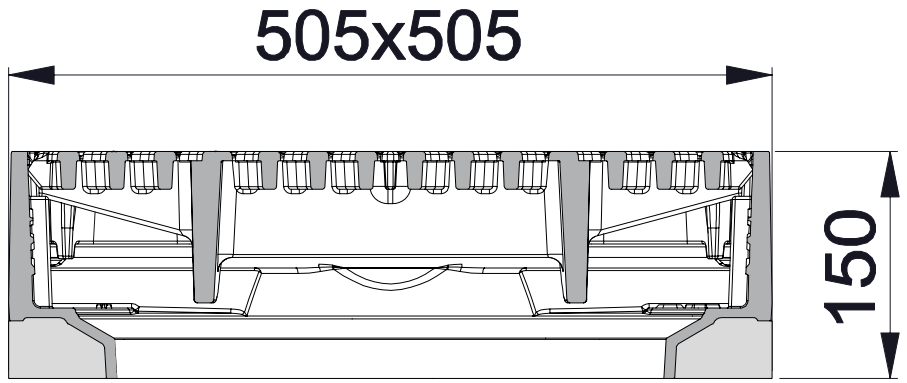


DRAWING No.:	VERSION	REVISION	REVISION STATUS
MEIDRAIN 500 X 500 MM	EN	1	ACTUAL



Stationary type grate MEIDRAIN 500 x 500

Conformity: EN124-2, RAL-GZ692
 Construction class: D400
 Material: cast iron
 Weight: 80 kg
 Inlet cross section area: 947 cm²
 Distance between grating: 17 mm



SIA "EVOPIPES"
 Langervaldes str. 2a, Jelgava, LV-3002, Latvia
 Company reg. No.: 50003728871
 Phone: +371 63094300
 E-mail: info@evopipes.lv
 Website: www.evopipes.lv

FILE NAME:
 MEIDRAIN 500 x 500 mm.dwg
 SHEET: 1 OF 1
 SHEET FORMAT: @ A4

SCALE:
 WITHOUT SCALE
 STAGE:
 STANDARD DRAWING