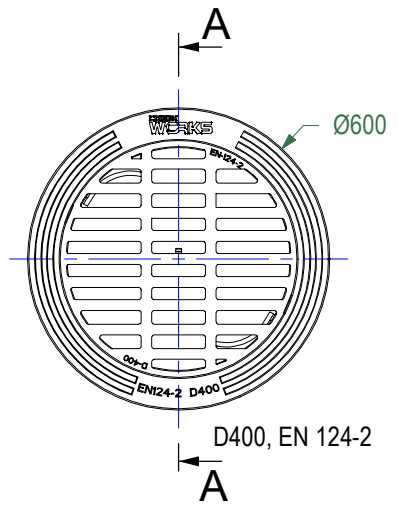
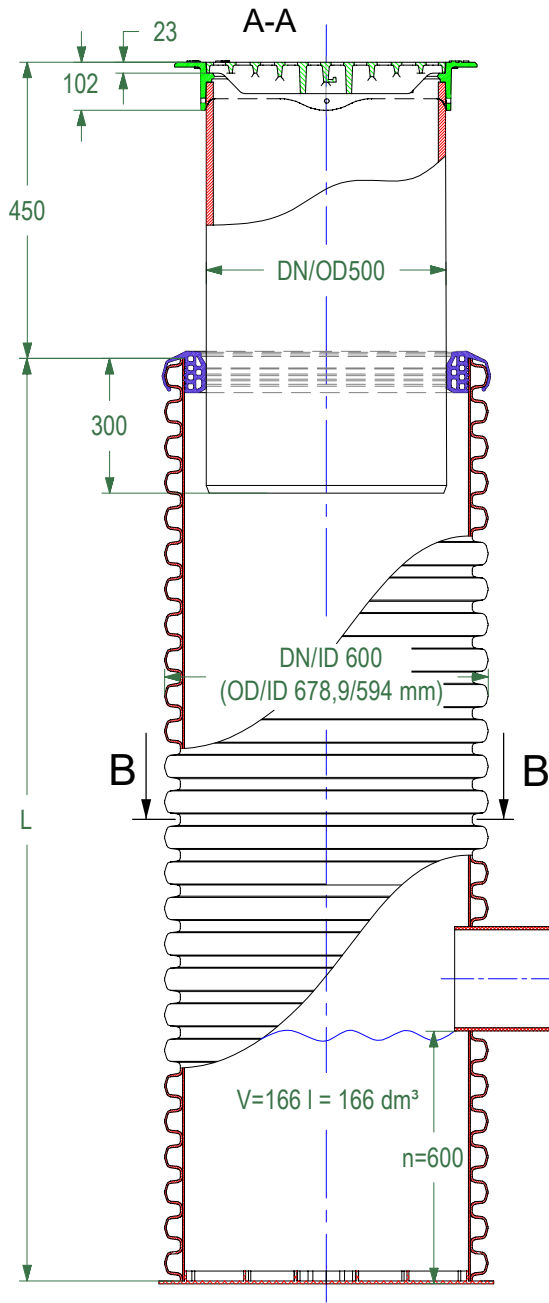
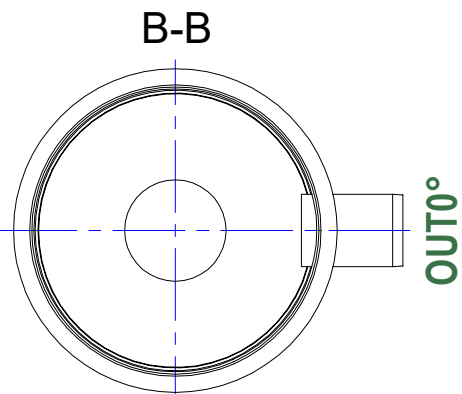
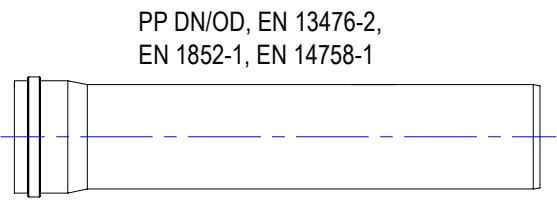


DRAWING No.:	VERSION	REVISION	REVISION STATUS
EN.DN600.500.D400.RR.OD.SM.PIPE	EN	1	ACTUAL

DN600.500.D400.RR.OD.SM.PIPE



Waterway area: **844,87 cm²**
 Waterway percentage (flow rate): **50% (154 l/s)**



DN110, 160, 200, 250, 315, 400 mm

This drawing is not suitable for the design and construction of other objects without the consent of SIA "EVOPIPES"



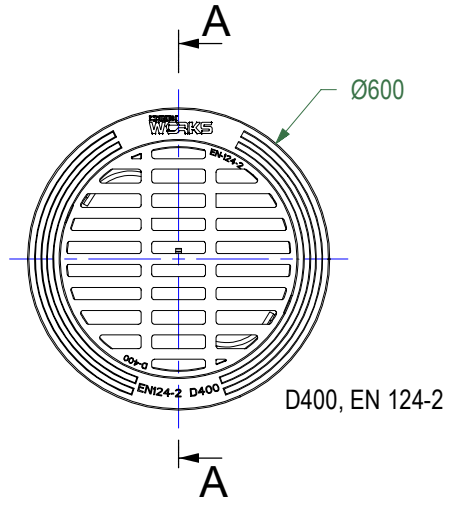
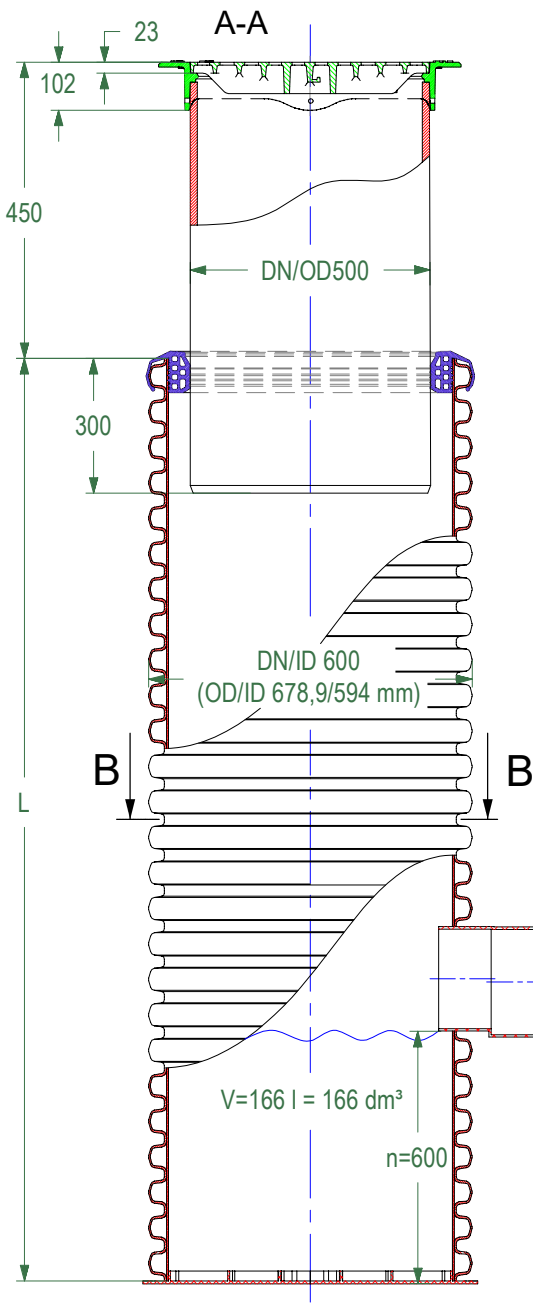
SIA "EVOPIPES"
 Langervaldes str. 2a, Jelgava, LV-3002, Latvia
 Company reg. No.: 50003728871
 Phone: +371 63094300
 E-mail: info@evopipes.lv
 Website: www.evopipes.lv

FILE NAME:
 EN.DN600.500.D400.RR.OD.SM.PIPE.dwg
 SHEET: 1 OF 1
 SHEET FORMAT: @ A4

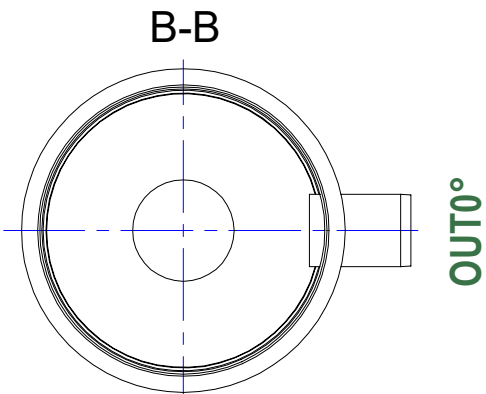
SCALE:
 WITHOUT SCALE
 STAGE:
 STANDARD DRAWING

DRAWING No.:	VERSION	REVISION	REVISION STATUS
EN.DN600.500.D400.RR.OD.PR.PIPE	EN	1	ACTUAL

DN600.500.D400.RR.OD.PR.PIPE



Waterway area: **844,87 cm²**
 Waterway percentage (flow rate): **50% (154 l/s)**.



DN110, 160, 200, 250, 315, 400 mm

This drawing is not suitable for the design and construction of other objects without the consent of SIA "EVOPIPES"



SIA "EVOPIPES"
 Langervaldes str. 2a, Jelgava, LV-3002, Latvia
 Company reg. No.: 50003728871
 Phone: +371 63094300
 E-mail: info@evopipes.lv
 Website: www.evopipes.lv

FILE NAME:
 EN.DN600.500.D400.RR.OD.PR.PIPE.dwg
 SHEET: 1 OF 1
 SHEET FORMAT: @ A4

SCALE:
 WITHOUT SCALE
 STAGE:
 STANDARD DRAWING