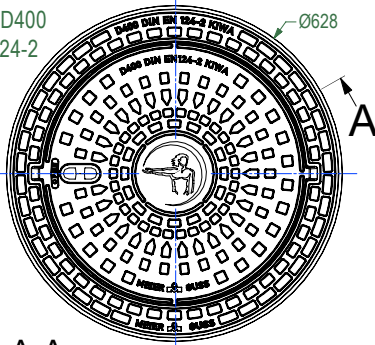
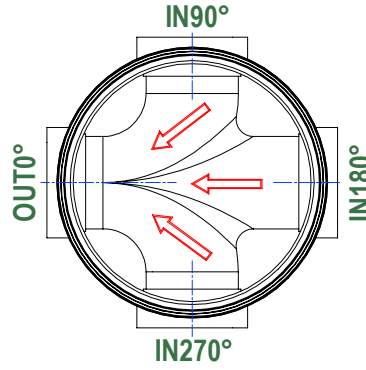


DN600.500.3BL

Cover class D400
acc. to EN 124-2

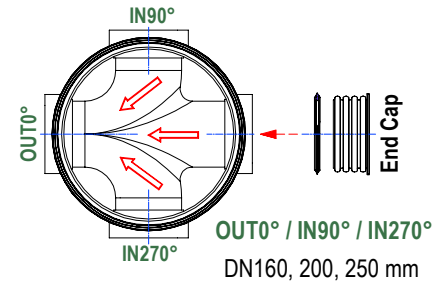


DN600 BASE, TYPE 3BL



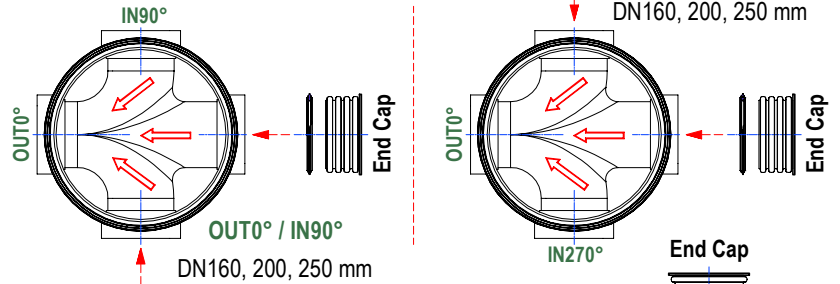
OUT0° / IN90° / IN180° / IN270°
DN160, 200, 250 mm

DN600 BASE, TYPE 2BT



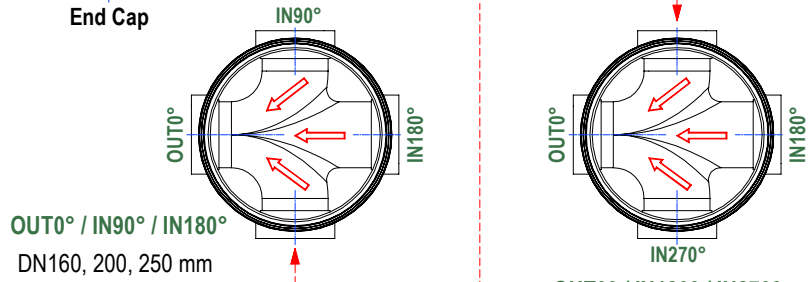
OUT0° / IN90° / IN270°
DN160, 200, 250 mm

DN600 BASE, TYPE 1BB



OUT0° / IN90°
DN160, 200, 250 mm

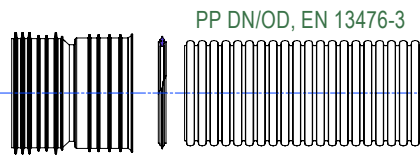
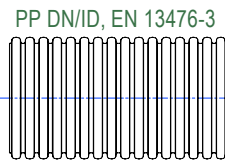
DN600 BASE, TYPE 2BL



OUT0° / IN90° / IN180°
DN160, 200, 250 mm

OUT0° / IN180° / IN270°
DN160, 200, 250 mm

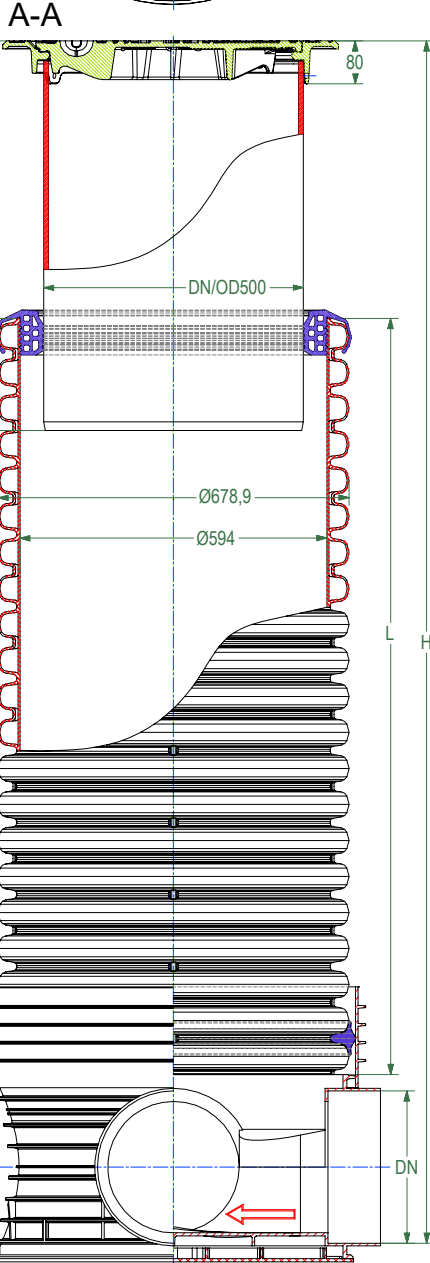
PP DN/OD, EN 13476-2,
EN 1852-1, EN 14758-1



NOTE:

By using 3BL type base and end cap(s) it is possible to achieve 1BB, 2BL, 2BT type base configuration.

This drawing is not suitable for the design and construction of other objects without the consent of SIA "EVOPIPES"

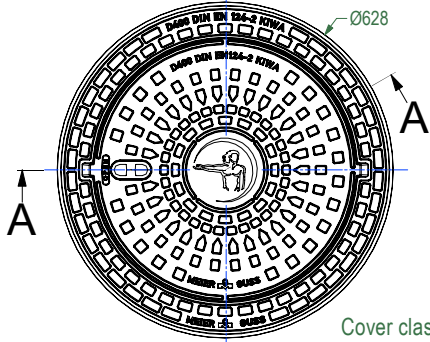


Chamber base DN600, type 3BL

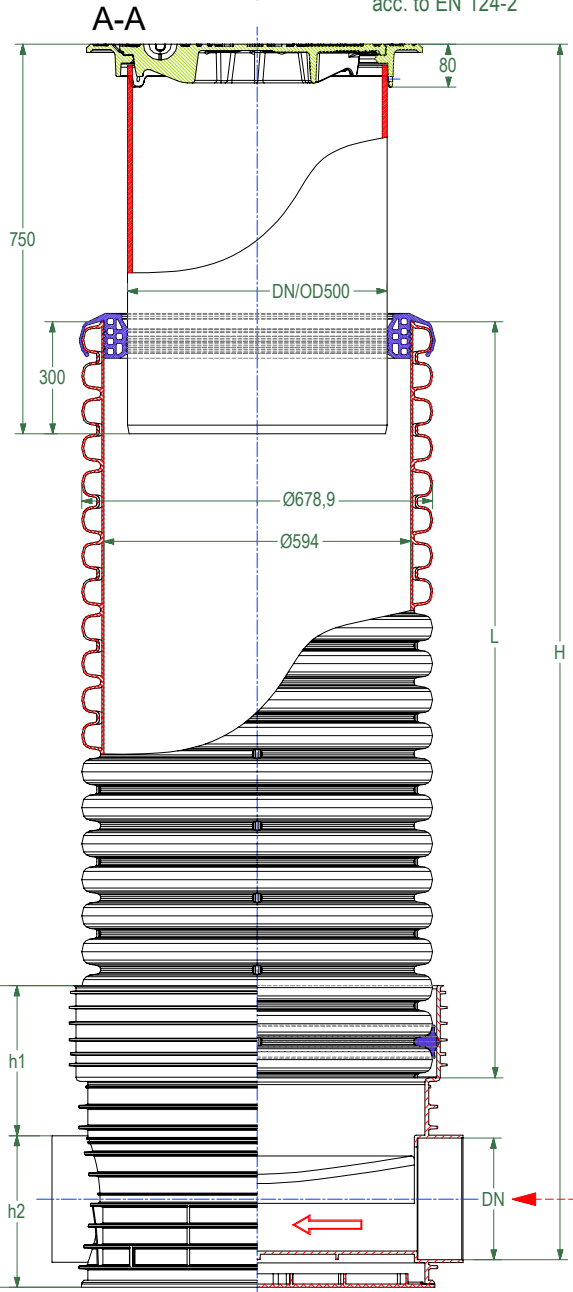
OUT0° / IN90° / IN180° / IN270°	h1	h2	H1
mm	mm	mm	mm
DN160	267	289	556
DN200	267	289	556
DN250	236	320	556

DN600.500.1B

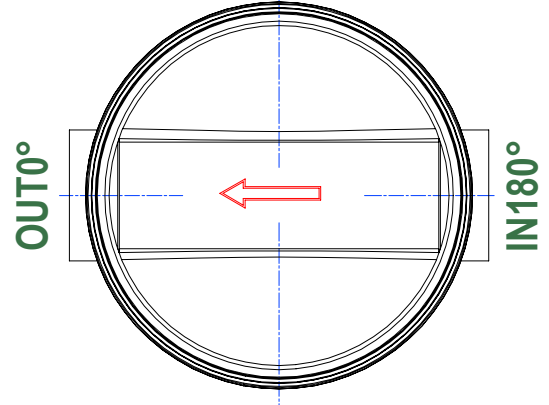
DRAWING No.:	VERSION	REVISION	REVISION STATUS
DN600.500.1B	EN	1	ACTUAL



Cover class D400 acc. to EN 124-2

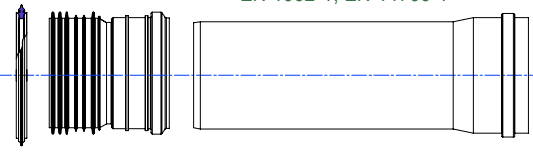


DN600 BASE, TYPE 1B

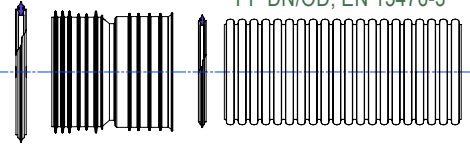


OUT0° / IN180°
DN160, 200, 315 mm

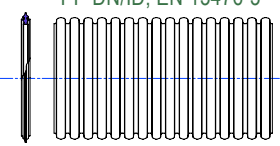
PP DN/OD, EN 13476-2, EN 1852-1, EN 14758-1



PP DN/OD, EN 13476-3



PP DN/ID, EN 13476-3



Chamber base DN600, type 1B			
OUT0° / IN180°	h1	h2	H1
mm	mm	mm	mm
DN160	267	289	556
DN200	267	289	556
DN315	180	376	556

This drawing is not suitable for the design and construction of other objects without the consent of SIA "EVOPIPES"



SIA "EVOPIPES"
Langervaldes str. 2a, Jelgava, LV-3002, Latvia
Company reg. No.: 50003728871
Phone: +371 63094300
E-mail: info@evopipes.lv
Website: www.evopipes.lv

FILE NAME:
DN600.500.1B

SHEET: 1 OF 1

SHEET FORMAT: @ A4

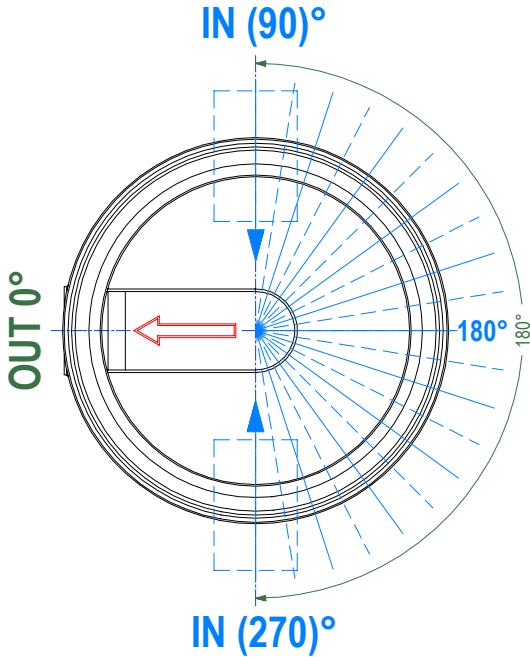
SCALE:
WITHOUT SCALE

STAGE:
STANDARD DRAWING

DRAWING No.:	VERSION	REVISION	REVISION STATUS
DN600.500.1C	EN	1	ACTUAL

DN600.500.1C

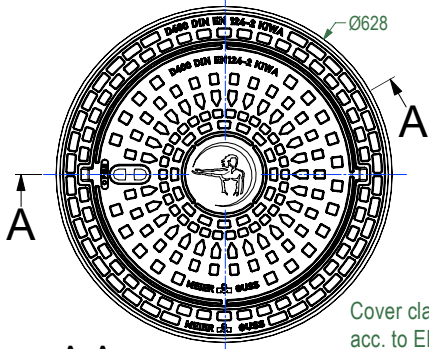
DN600 BASE, TYPE 1C



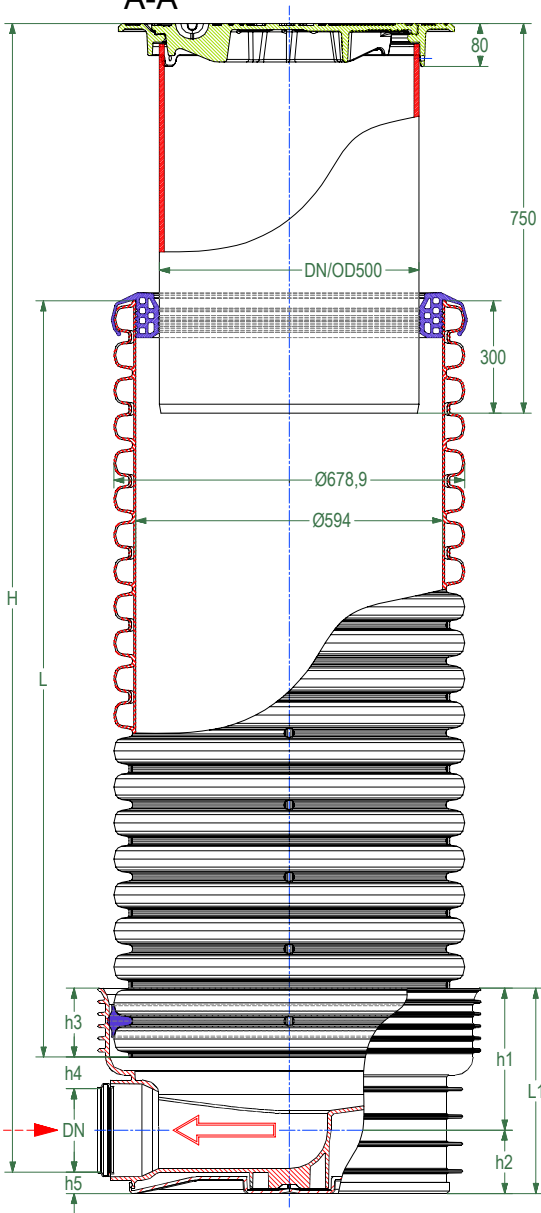
OUT 0° / IN(90 - 270)°

DN160, 200, 250, 315 mm

IN - requested connection in desirable angle



Cover class D400 acc. to EN 124-2



PP DN/OD, EN 13476-3

PP DN/OD, EN 13476-2,
EN 1852-1, EN 14758-1

Chamber base DN600, type 1C						
OUT 0° / IN (90-270)°	h1	h2	h3	h4	h5	L1
mm	mm	mm	mm	mm	mm	mm
DN160	272	121	158	33	41	393
DN200	293	142	158	33	41	435
DN250	319	168	158	34	42	487
DN315	353	203	158	36	44	556

This drawing is not suitable for the design and construction of other objects without the consent of SIA "EVOPIPES"



SIA "EVOPIPES"
Langervaldes str. 2a, Jelgava, LV-3002, Latvia
Company reg. No.: 50003728871
Phone: +371 63094300
E-mail: info@evopipes.lv
Website: www.evopipes.lv

FILE NAME:
DN600.500.1C

SHEET: 1 OF 1

SHEET FORMAT: @ A4

SCALE:
WITHOUT SCALE

STAGE:
STANDARD DRAWING