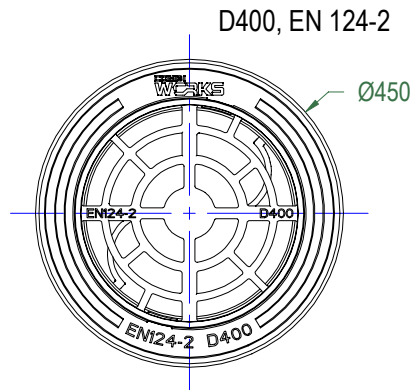
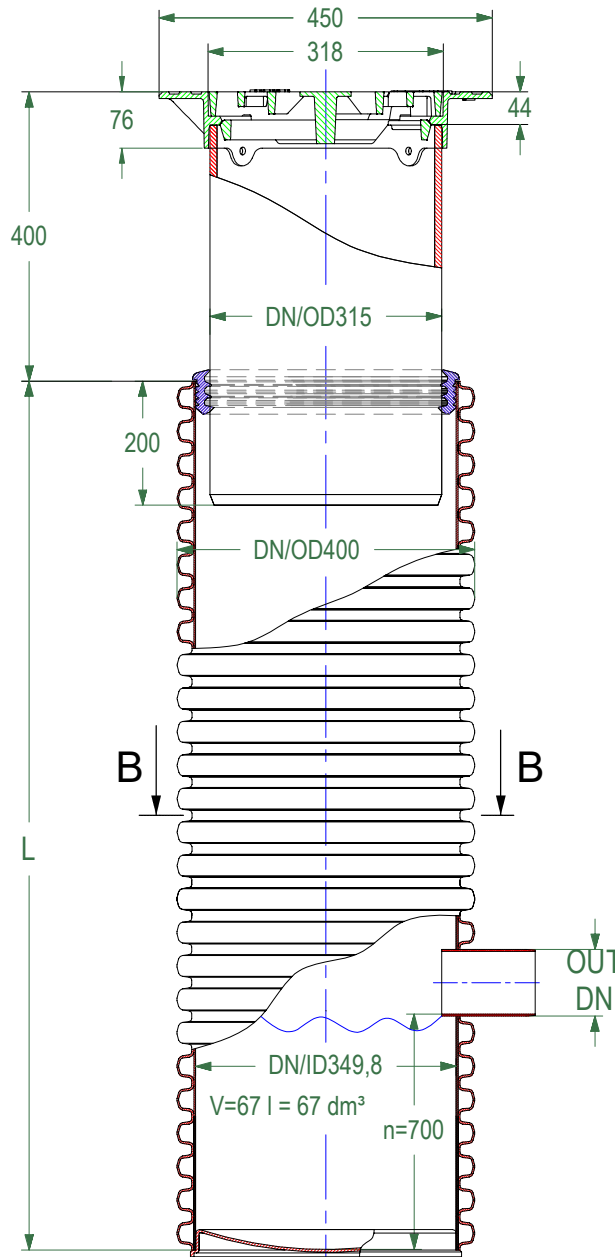


DN400.315.D400.RR.OD.SM.PIPE

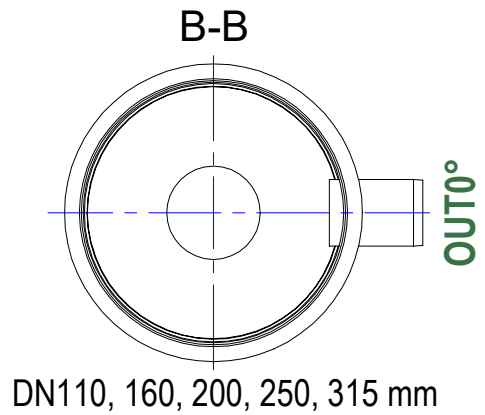
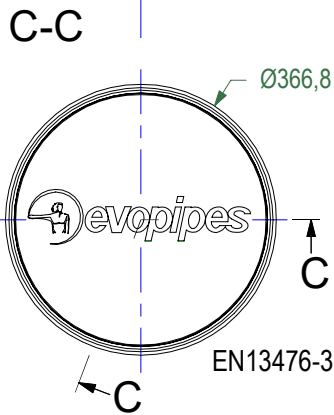
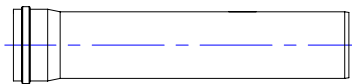
DRAWING No.:	VERSION	REVISION	REVISION STATUS
EN.DN400.315.D400.RR.OD.SM.PIPE	EN	1	ACTUAL



Waterway area: 462,96 cm²

Waterway percentage (flow rate): 75% (85 l/s).

PP DN/OD, EN 13476-2,
EN 1852-1, EN 14758-1



This drawing is not suitable for the design and construction of other objects without the consent of SIA "EVOPIPES"



SIA "EVOPIPES"
Langervaldes str. 2a, Jelgava, LV-3002, Latvia
Company reg. No.: 50003728871
Phone: +371 63094300
E-mail: info@evopipes.lv
Website: www.evopipes.lv

FILE NAME:
EN.DN400.315.D400.RR.OD.SM.PIPE.dwg

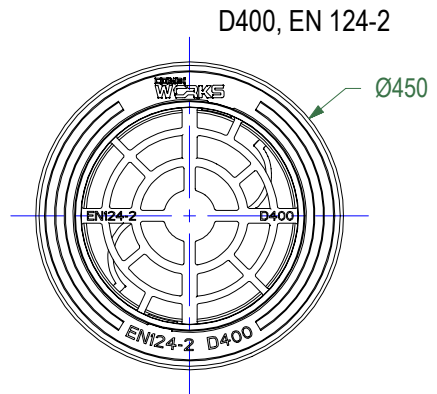
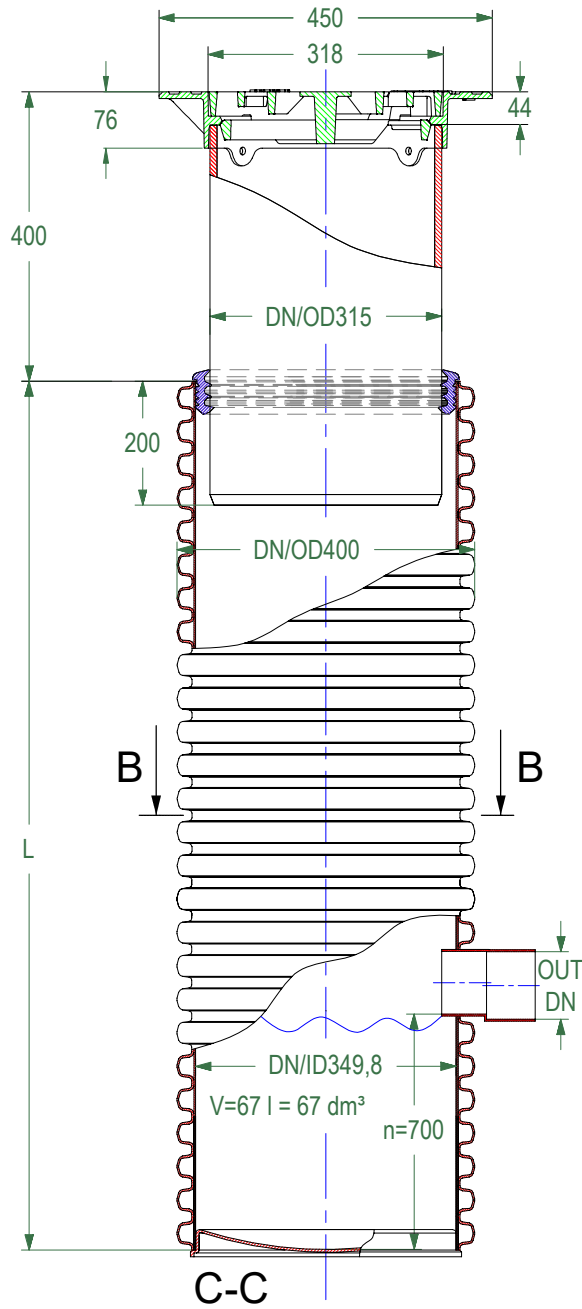
SHEET: 1 OF 1

SHEET FORMAT: @ A4

SCALE:
WITHOUT SCALE
STAGE:
STANDARD DRAWING

DN400.315.D400.RR.OD.PR.PIPE

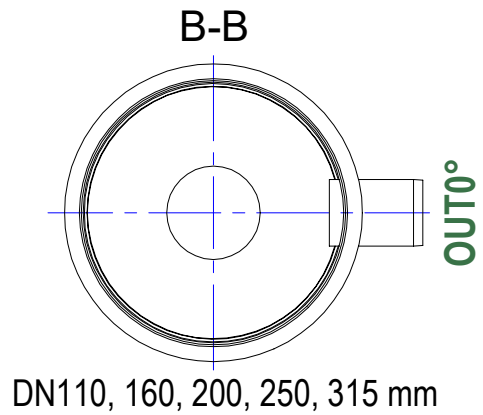
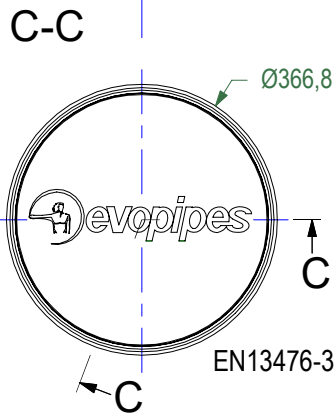
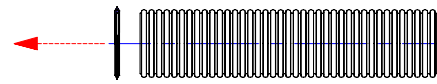
DRAWING No.:	VERSION	REVISION	REVISION STATUS
EN.DN400.315.D400.RR.OD.PR.PIPE	EN	1	ACTUAL



Waterway area: **462,96 cm²**

Waterway percentage (flow rate): **75% (85 l/s)**.

PP DN/OD, EN 13476-2,
EN 1852-1, EN 14758-1



This drawing is not suitable for the design and construction of other objects without the consent of SIA "EVOPIPES"



SIA "EVOPIPES"
Langervaldes str. 2a, Jelgava, LV-3002, Latvia
Company reg. No.: 50003728871
Phone: +371 63094300
E-mail: info@evopipes.lv
Website: www.evopipes.lv

FILE NAME:
EN.DN400.315.D400.RR.OD.PR.PIPE.dwg

SHEET: 1 OF 1

SHEET FORMAT: @ A4

SCALE:
WITHOUT SCALE
STAGE:
STANDARD DRAWING