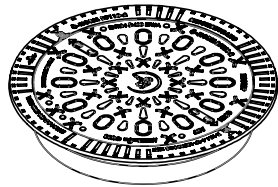


DRAWING No.:	VERSION	REVISION	REVISION STATUS
LV Lukas izbuve ar gredzeniem	EN	1	ACTUAL

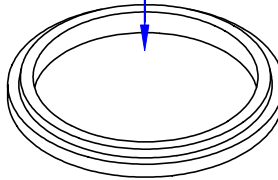
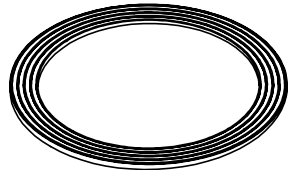
Self-leveling type covers with polymer support rings.

Self-leveling type cover DN 700 mm

Frame neck size: Ø680 - 695 mm

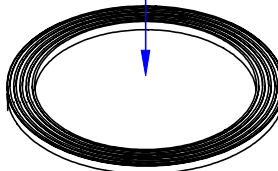


Height-adjustment ring with slope **T1K/700/9/22**
Use if necessary

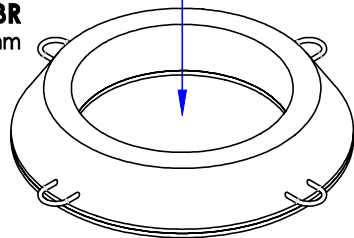


Adapter **TXS/710/80**
Use for covers with frame neck size Ø 680-695 mm

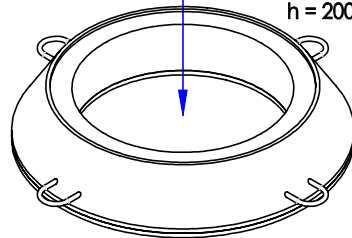
Height-adjustment ring **T1/700**
h = 15, 30, 50, 100 mm



Support ring **T3/680/BR**
h = 180 mm



Support ring with edge **T3/680**
h = 200 mm

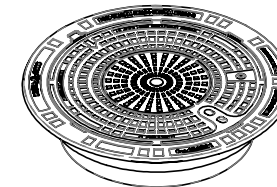


EVOPIPES DN 600, 800, 1000, 1200, 1600 mm chambers

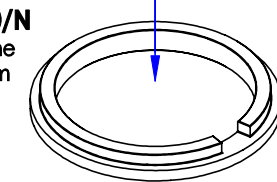
EVOPIPES DN 600, 800, 1000, 1200, 1600 mm chambers

Self-leveling type cover DN 600 mm

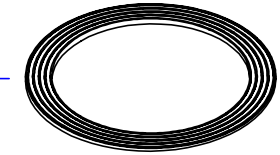
Frame neck size: Ø610 - 630 mm



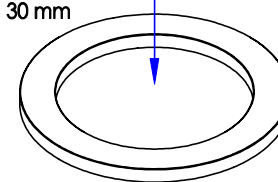
Adapter **TXS/635/80/N**
Use for covers with frame neck size Ø 610-630 mm



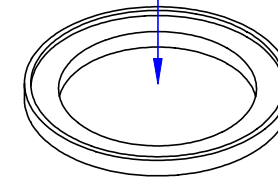
Height-adjustment ring with slope **T1K/625/9/22**
Use if necessary



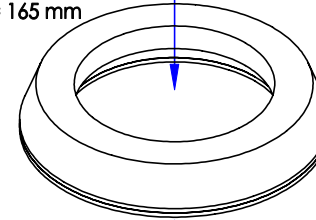
Height-adjustment ring **T1/625**
h = 15, 30 mm



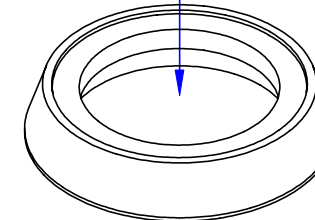
Height-adjustment ring with edge **T1R/625**
h = 40, 60, 80, 100, 120 mm



Support ring **T3/615/BR**
h = 165 mm



Support ring with edge **T3/615**
h = 180 mm



EVOPIPES DN 600, 800, 1000, 1200, 1600 mm chambers



SIA "EVOPIPES"
Langervaldes str. 2a, Jelgava, LV-3002, Latvia
Company reg. No.: 50003728871
Phone: +371 63094300
E-mail: info@evopipes.lv
Website: www.evopipes.lv

FILE NAME:

LV Lukas izbuve ar gredzeniem

SHEET: 1 OF 5

SHEET FORMAT: @ A4

SCALE:

WITHOUT SCALE

STAGE:

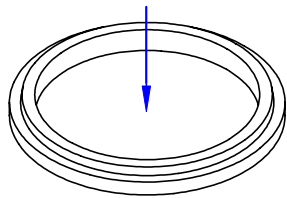
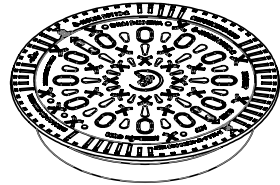
STANDARD DRAWING

DRAWING No.:	VERSION	REVISION	REVISION STATUS
LV Lukas izbuve ar gredzeniem	EN	1	ACTUAL

Self-leveling type covers with reinforced concrete support rings.

Self-leveling type cover DN 700 mm

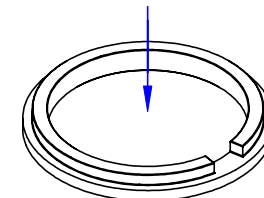
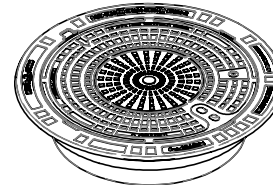
Frame neck size: Ø680 - 695 mm



**Adapter
TXS/710/80**
Use for covers with frame
neck size Ø 680-695 mm

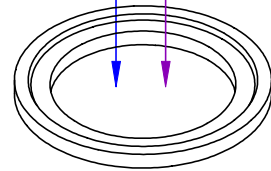
Self-leveling type cover DN 600 mm

Frame neck size: Ø610 - 630 mm

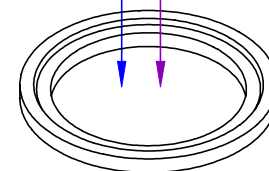


**Adapter
TXS/635/80/N**
Use for covers with frame
neck size Ø 610-630 mm

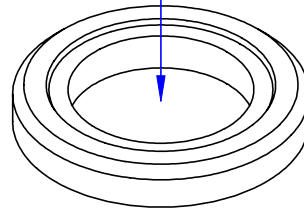
**Height-adjustment ring
920/665 mm**
h = 60 mm



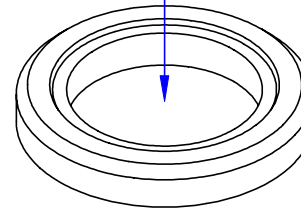
**Height-adjustment ring
920/700 mm**
h = 60 mm



**Support ring
1061/665 mm**
h = 160 mm



**Support ring
1061/700 mm**
h = 160 mm



**EVOPIPES DN 800, 1000,
1200, 1600 mm chambers**

EVOPIPES DN 600 mm chambers



SIA "EVOPIPES"
Langervaldes str. 2a, Jelgava, LV-3002, Latvia
Company reg. No.: 50003728871
Phone: +371 63094300
E-mail: info@evopipes.lv
Website: www.evopipes.lv

FILE NAME:
LV Lukas izbuve ar gredzeniem

SHEET: 2 OF 5

SHEET FORMAT: @ A4

SCALE:
WITHOUT SCALE

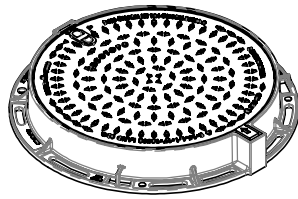
STAGE:
STANDARD DRAWING

DRAWING No.:	VERSION	REVISION	REVISION STATUS
LV Lukas izbuve ar gredzeniem	EN	1	ACTUAL

Stationary type covers with polymer and reinforced concrete support rings.

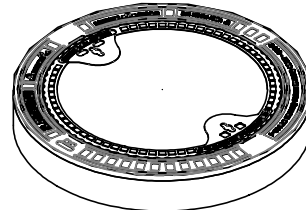
**Stationary type cover
DN 746/760 mm**

Frame size: Ø745 - 785 mm



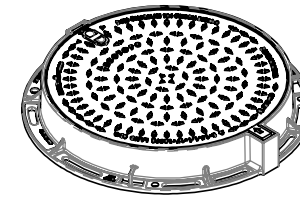
**Stationary type cover with frame
encapsulated in concrete DN 785 mm**

Frame size: Ø745 - 785 mm



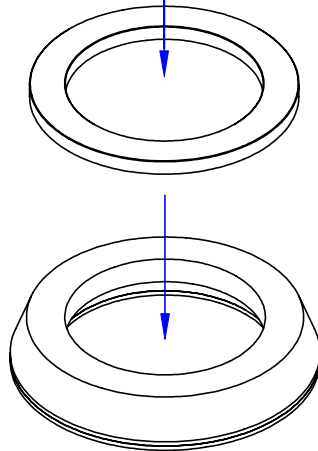
**Stationary type cover
DN 746/760 mm***

Frame size: Ø745 - 785 mm

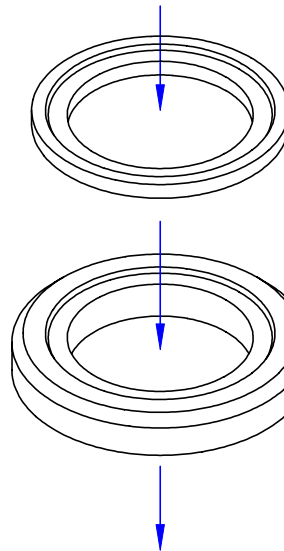


Height-adjustment ring
T1/600
h = 10, 15, 30, 50, 100, 150 mm

Support ring
T3/615/BR
h = 165 mm



EOPIPES DN 600, 800, 1000,
1200, 1600 mm chambers



Height-adjustment ring
920/665 mm
h = 60 mm

Support ring
1061/665 mm
h = 160 mm

EOPIPES DN 800, 1000,
1200, 1600 mm chambers

* Stationary type cover with frame (doesn't apply to frames encapsulated in concrete).



SIA "EOPIPES"
Langervaldes str. 2a, Jelgava, LV-3002, Latvia
Company reg. No.: 50003728871
Phone: +371 63094300
E-mail: info@evopipes.lv
Website: www.evopipes.lv

FILE NAME:

LV Lukas izbuve ar gredzeniem

SHEET: 3 OF 5

SHEET FORMAT: @ A4

SCALE:

WITHOUT SCALE

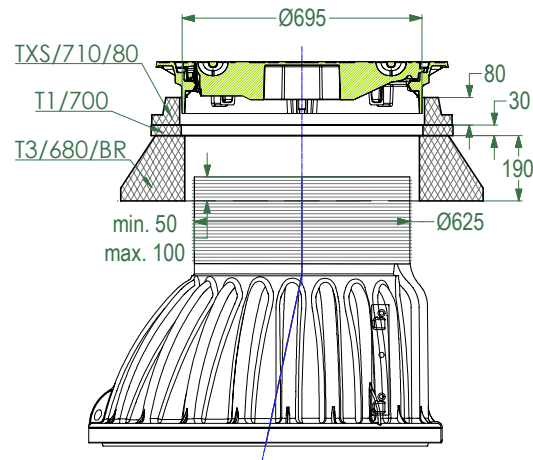
STAGE:

STANDARD DRAWING

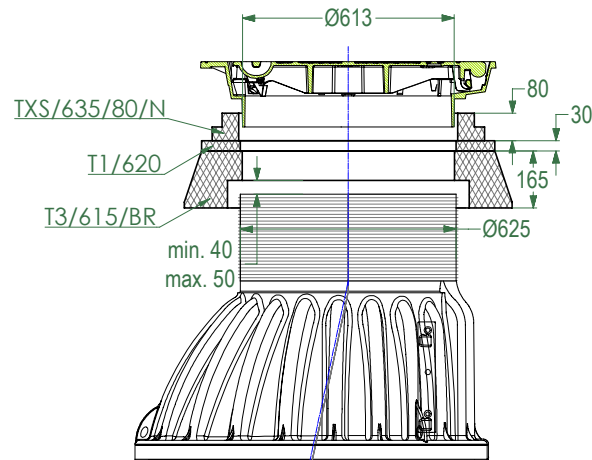
DRAWING No.:	VERSION	REVISION	REVISION STATUS
Detalizācijas LUKU PARSEDZEM	EN	1	ACTUAL

Examples of installed self-leveling and stationary type covers.

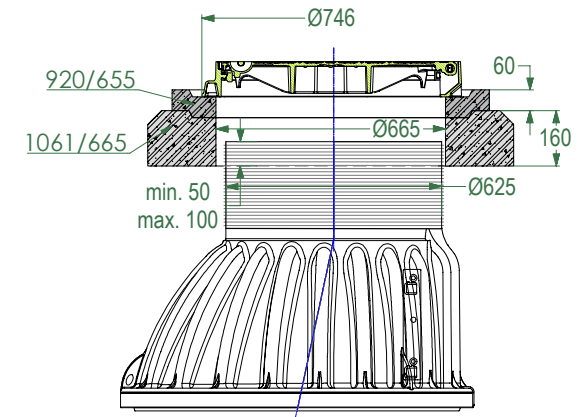
Installation of DN700 mm self-leveling type cover with polymer support ring with chamber cone.



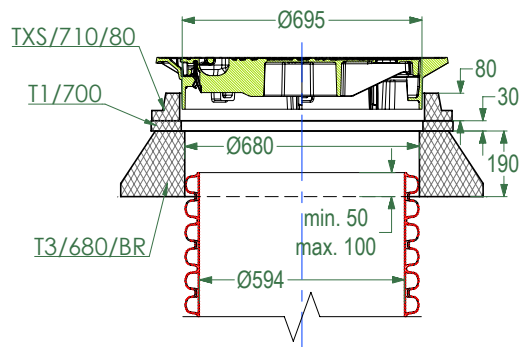
Installation of DN600 mm self-leveling type cover with polymer support ring with chamber cone.



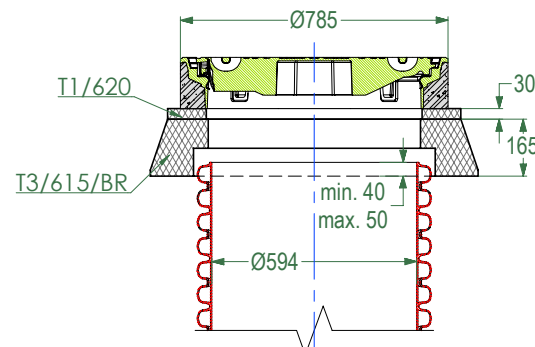
Installation of DN746 mm stationary type cover with reinforced concrete support ring with chamber cone.



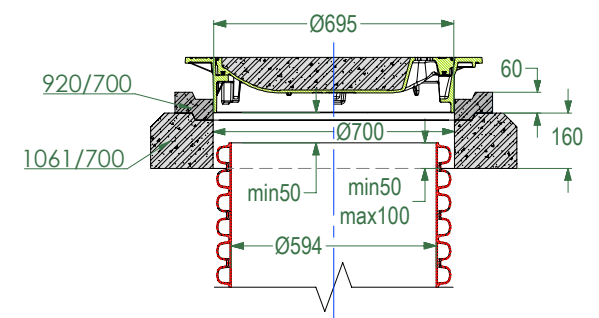
Installation of DN700 mm self-leveling type cover with polymer support ring with DN/ID 600 mm chamber.



Installation of DN785 mm stationary type cover with polymer support ring with DN/ID 600 mm chamber.



Installation of DN700 mm self-leveling type cover with reinforced concrete support ring with DN/ID 600 mm chamber.



Note.

Height-adjustment rings, T1/700, T1/620, 920/700, 920/665 and others, must be installed if it is necessary to increase height of the cover.



SIA "EVOPIPES"
 Langervaldes str. 2a, Jelgava, LV-3002, Latvia
 Company reg. No.: 50003728871
 Phone: +371 63094300
 E-mail: info@evopipes.lv
 Website: www.evopipes.lv

FILE NAME:
 Detalizācijas LUKU PARSEDZEM

SHEET: 4 OF 5

SHEET FORMAT: @ A4

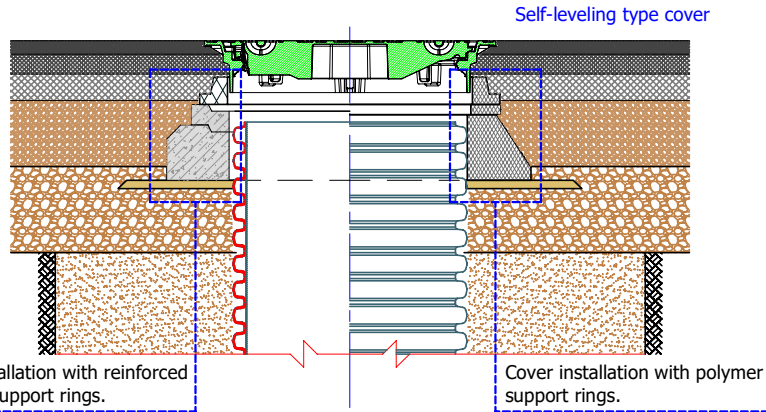
SCALE:
 WITHOUT SCALE

STAGE:
 STANDARD DRAWING

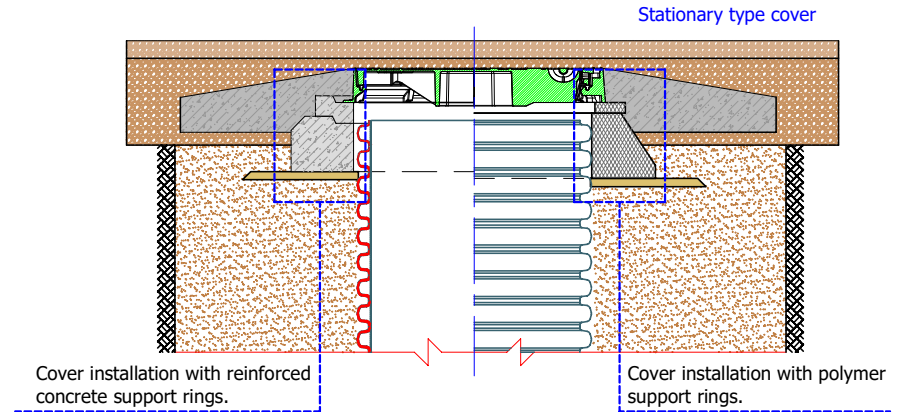
DRAWING No.:	VERSION	REVISION	REVISION STATUS
lzbuvēs griezumī	EN	1	ACTUAL

Examples of installed self-leveling and stationary type covers in different surfaces.

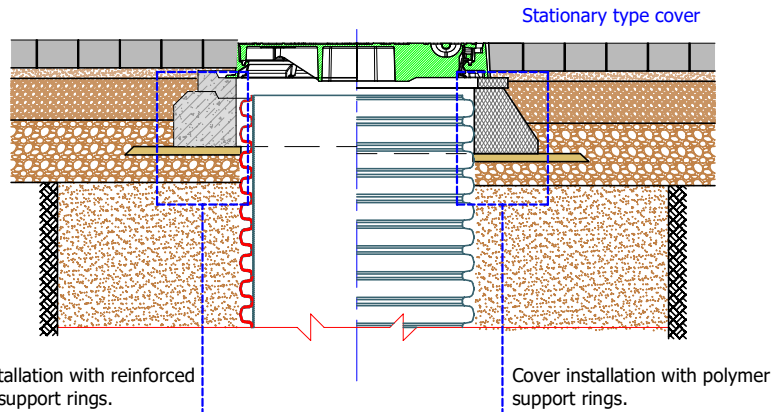
Surface construction - asphalt pavement



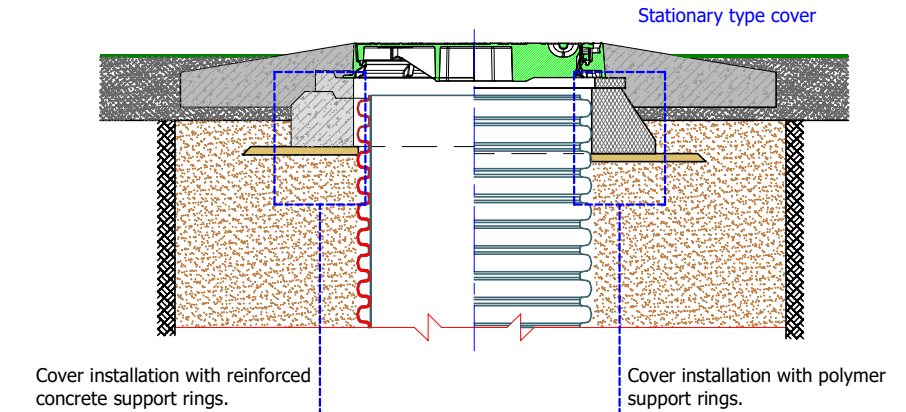
Surface construction - gravel cover



Surface construction - paving stone



Surface construction - green area



SIA "EVOPIPES"
 Langervaldes str. 2a, Jelgava, LV-3002, Latvia
 Company reg. No.: 50003728871
 Phone: +371 63094300
 E-mail: info@evopipes.lv
 Website: www.evopipes.lv

FILE NAME:

lzbuvēs griezumī

SHEET: 5 OF 5

SHEET FORMAT: @ A4

SCALE:

WITHOUT SCALE

STAGE:

STANDARD DRAWING