
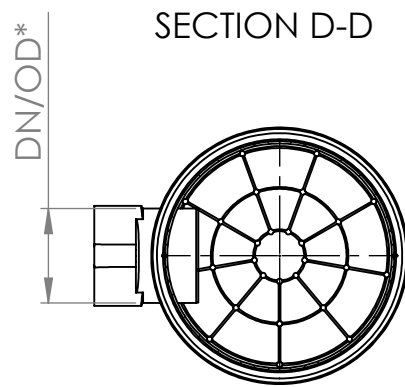
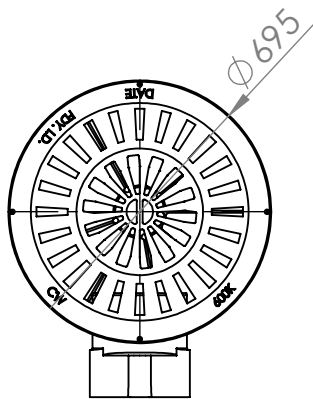
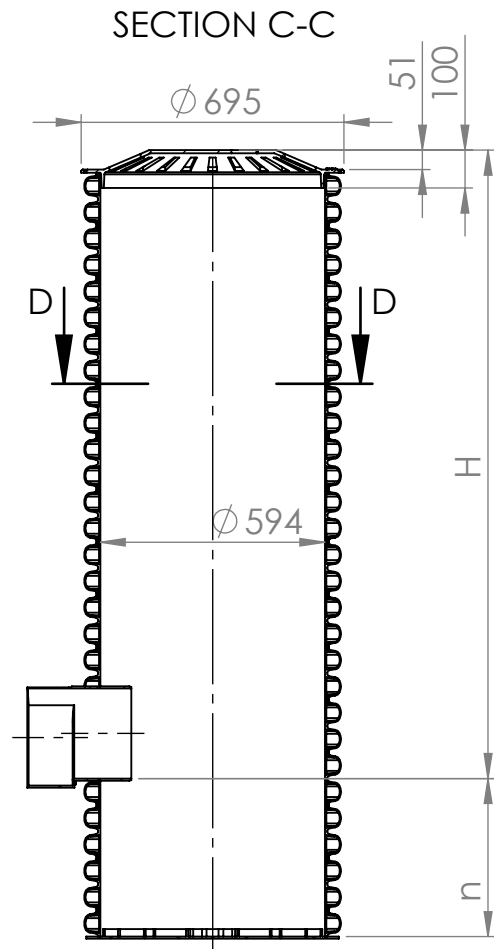
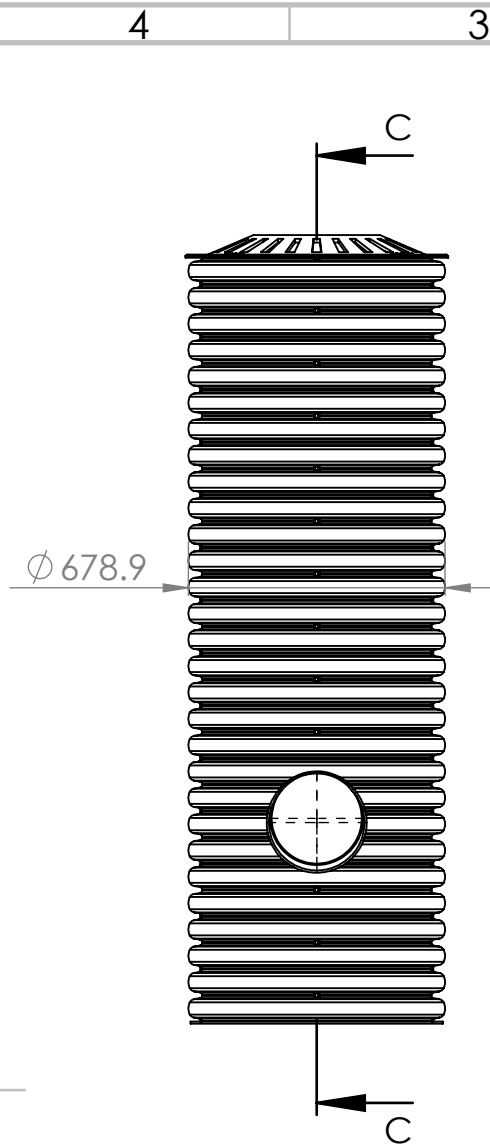



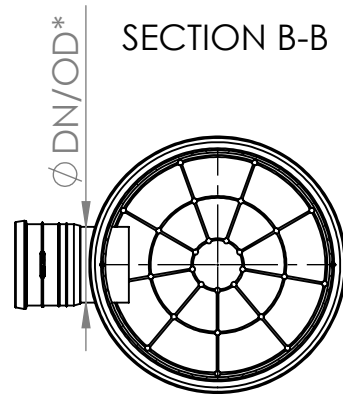
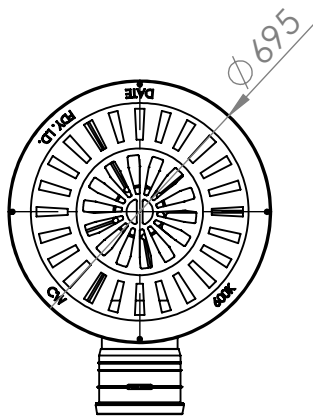
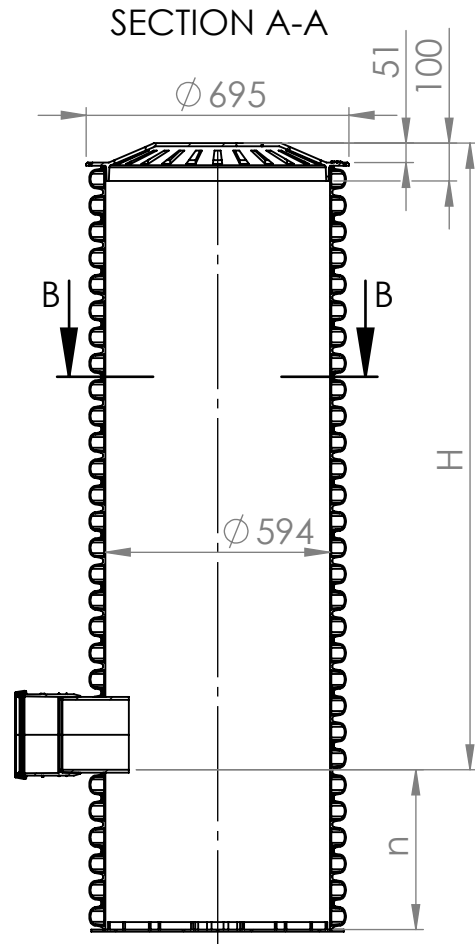
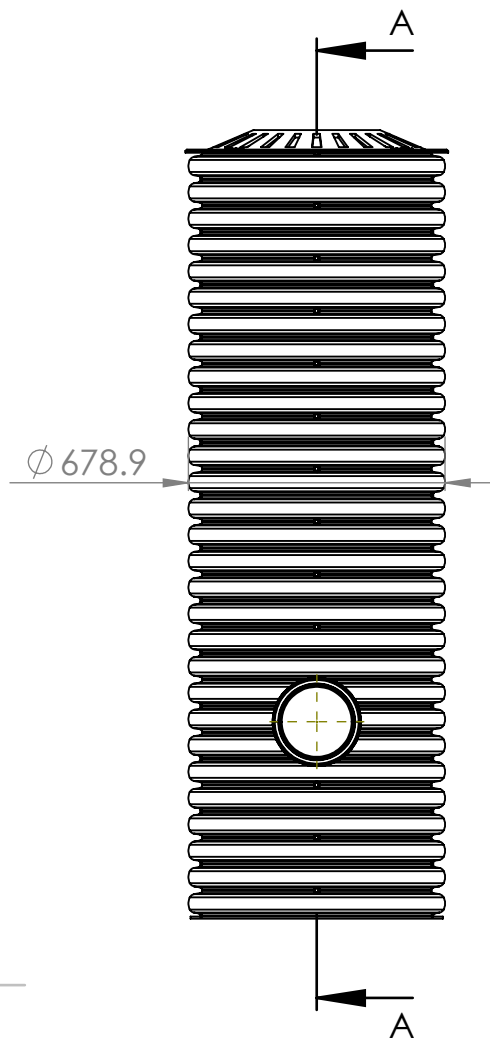
* Connection to a double-walled drainage pipe DN/OD - 160, 200 mm (LVS EN 13476-3) or for smooth-walled pipe DN/OD 110, 160, 200 mm (LVS EN 13476-2, LVS EN 1852-1, LVS EN 14758-1).

DRAWN RBI	SIGNATURE	DATE 10/11/2024	FORMAT A4	SCALE 1:20	 Langervaldes iela 2a, Jelgava, LV-3002, Latvia, Reg. No.: 50003728871	Phone: +371 63094300 E-mail: info@evopipes.lv Web: www.evopipes.lv
APPROVED BY		ORDER No.	PAGE 1 / 3	PRODUCT		
DRAWING No. DN 600 Drainage gully				REVISION 1	CUSTOMER	
Unless specified otherwise: dimensions are in millimeters do not scale the drawing				This drawing is the property of SIA Evopipes and is protected by a law. This document must not be copied or disclosed to third parties without permission.		




* Connection for corrugated drainage pipe (EN 13476-3) DN/OD - 160, 200, 250, 315, 400 mm

DRAWN RBI	SIGNATURE	DATE 10/11/2024	FORMAT A4	SCALE 1:20	 Langervaldes iela 2a, Jelgava, LV-3002, Latvia, Reg. No.: 50003728871	Phone: +371 63094300 E-mail: info@evopipes.lv Web: www.evopipes.lv
APPROVED BY		ORDER No.	PAGE 2 / 3	PRODUCT		
DRAWING No. DN 600 Drainage gully				REVISION 1	CUSTOMER	
Unless specified otherwise: dimensions are in millimeters do not scale the drawing				This drawing is the property of SIA Evopipes and is protected by a law. This document must not be copied or disclosed to third parties without permission.		



* Connection for smooth pipe DN/OD - 110, 160, 200, 250, 315, 400 mm
(EN 13476-2, EN 1852-1, EN 14758-1).

DRAWN RBI	SIGNATURE	DATE 23-Jan-25	FORMAT A4	SCALE 1:20	 Langervaldes iela 2a, Jelgava, LV-3002, Latvia, Reg. No.: 50003728871 Phone: +371 63094300 E-mail: info@evopipes.lv Web: www.evopipes.lv
APPROVED BY			ORDER No.	PAGE 3 / 3	
DRAWING No. DN 600 Drainage gully				REVISION 1	CUSTOMER
Unless specified otherwise: dimensions are in millimeters do not scale the drawing				This drawing is the property of SIA Evopipes and is protected by a law. This document must not be copied or disclosed to third parties without permission.	