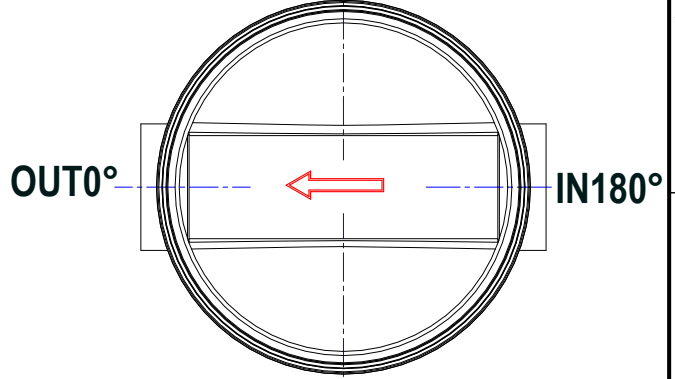
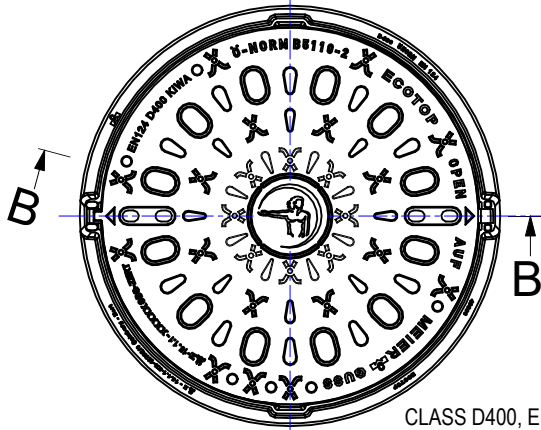


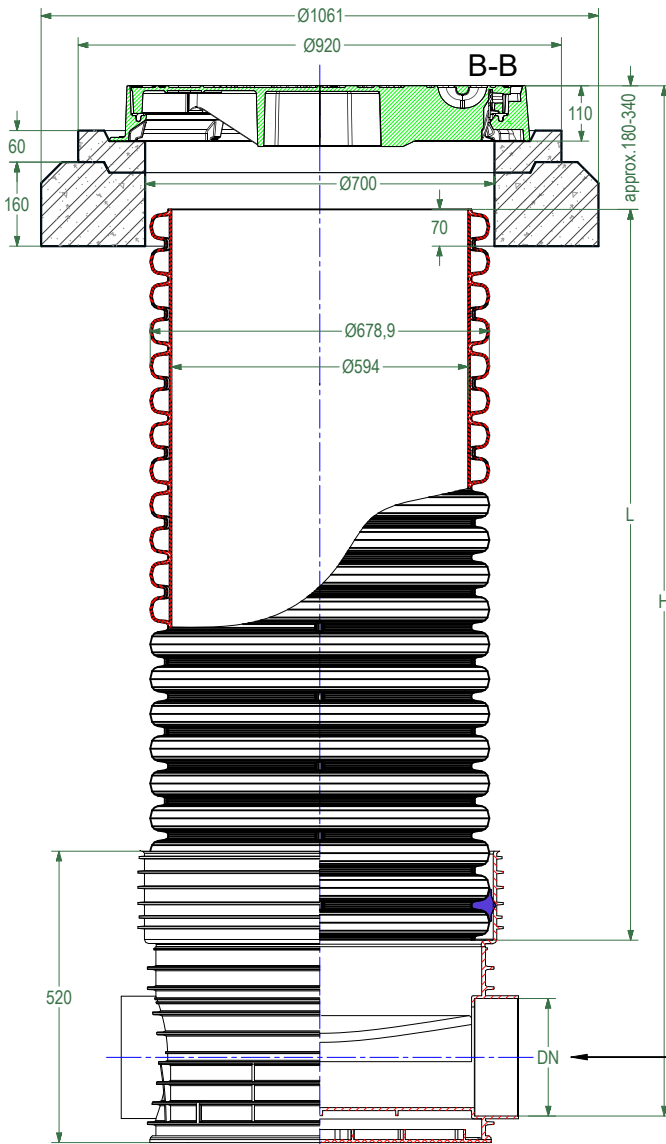
CSL ID600.DN700.D400.S.1B

DRAWING No.:	VERSION	REVISION	REVISION STATUS
CSL ID600.DN700.D400.S.1B	EN	1	ACTUAL

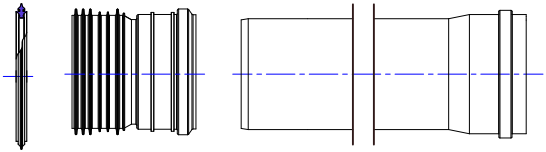


CLASS D400, EN 124-2, RAL-GZ692

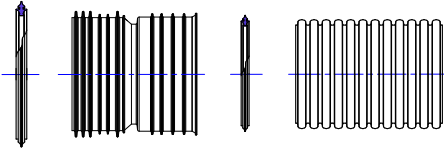
OUT0° / IN180°
DN160, 200, 250, 315 mm



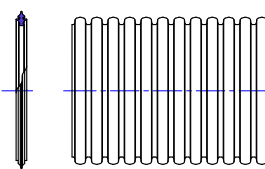
PP DN/OD, EN 13476-2, EN 1852-1, EN 14758-1



PP DN/OD, EN 13476-3



PP DN/ID, EN 13476-3



This drawing is not suitable for the design and construction of other objects without the consent of SIA "EVOPIPES"



SIA "EVOPIPES"
Langervaldes str. 2a, Jelgava, LV-3002, Latvia
Company reg. No.: 50003728871
Phone: +371 63094300
E-mail: info@evopipes.lv
Website: www.evopipes.lv

FILE NAME:
CSL ID600.DN700.D400.S.1B

SHEET: 1 OF 1

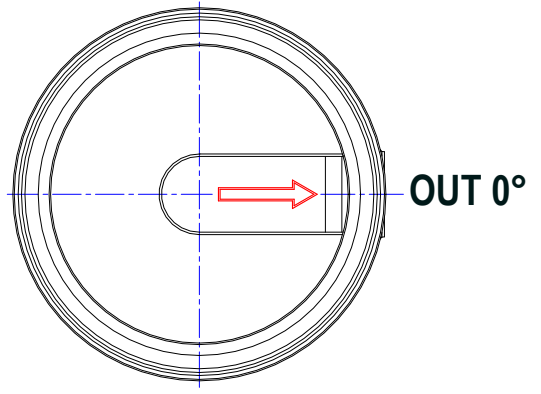
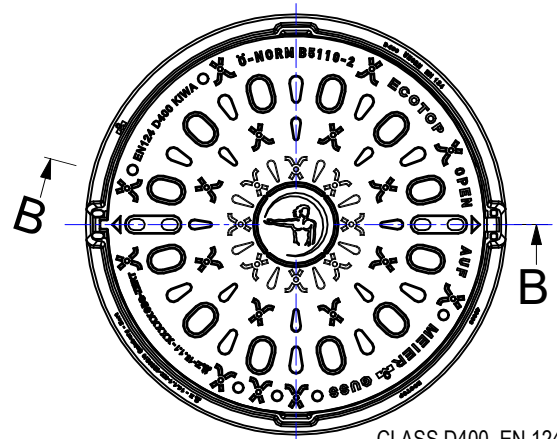
SHEET FORMAT: @A4

SCALE:
NOT TO SCALE

STAGE:
STANDARD DRAWING

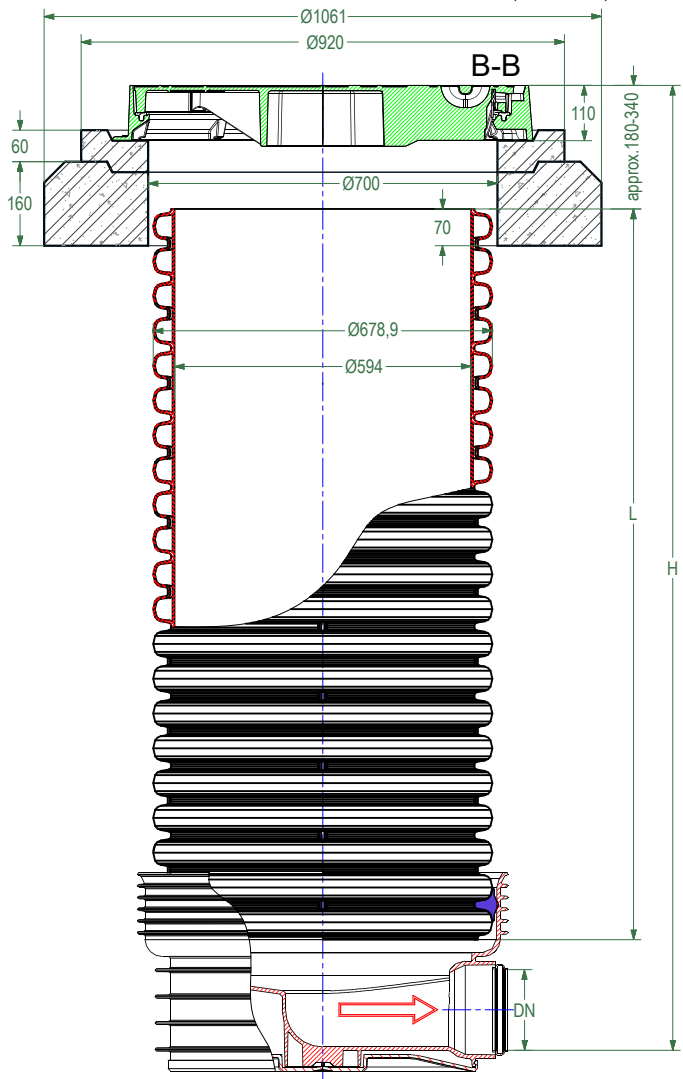
DRAWING No.:	VERSION	REVISION	REVISION STATUS
CSL ID600.DN700.D400.S.1C	EN	1	ACTUAL

CSL ID600.DN700.D400.S.1C



OUT 0°
 DN160, 200, 250, 315 mm
IN - requested connection in desirable angle

CLASS D400, EN 124-2, RAL-GZ692



PP DN/OD, EN 13476-2, EN 1852-1, EN 14758-1

This drawing is not suitable for the design and construction of other objects without the consent of SIA "EVOPIPES"



SIA "EVOPIPES"
 Langervaldes str. 2a, Jelgava, LV-3002, Latvia
 Company reg. No.: 50003728871
 Phone: +371 63094300
 E-mail: info@evopipes.lv
 Website: www.evopipes.lv

FILE NAME:
 CSL ID600.DN700.D400.S.1C

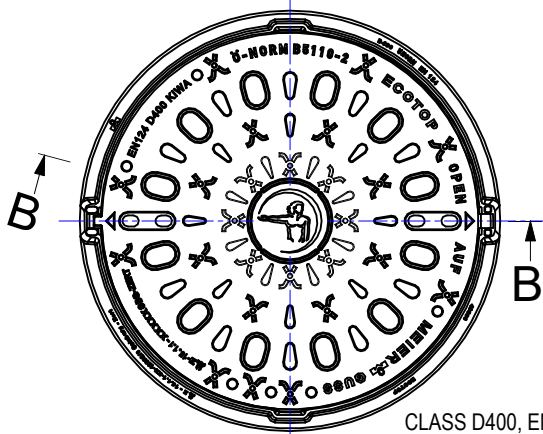
SHEET: 1 OF 1	SHEET FORMAT: @A4
---------------	-------------------

SCALE:
 NOT TO SCALE

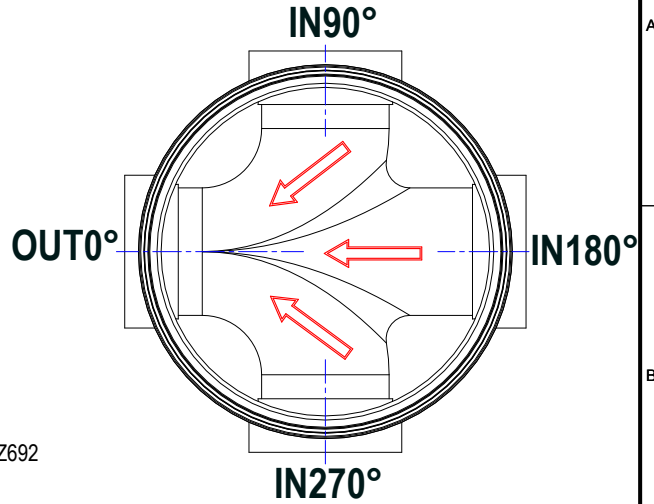
STAGE:
 STANDARD DRAWING

DRAWING No.:	VERSION	REVISION	REVISION STATUS
CSL ID600.DN700.D400.S.3BL	EN	1	ACTUAL

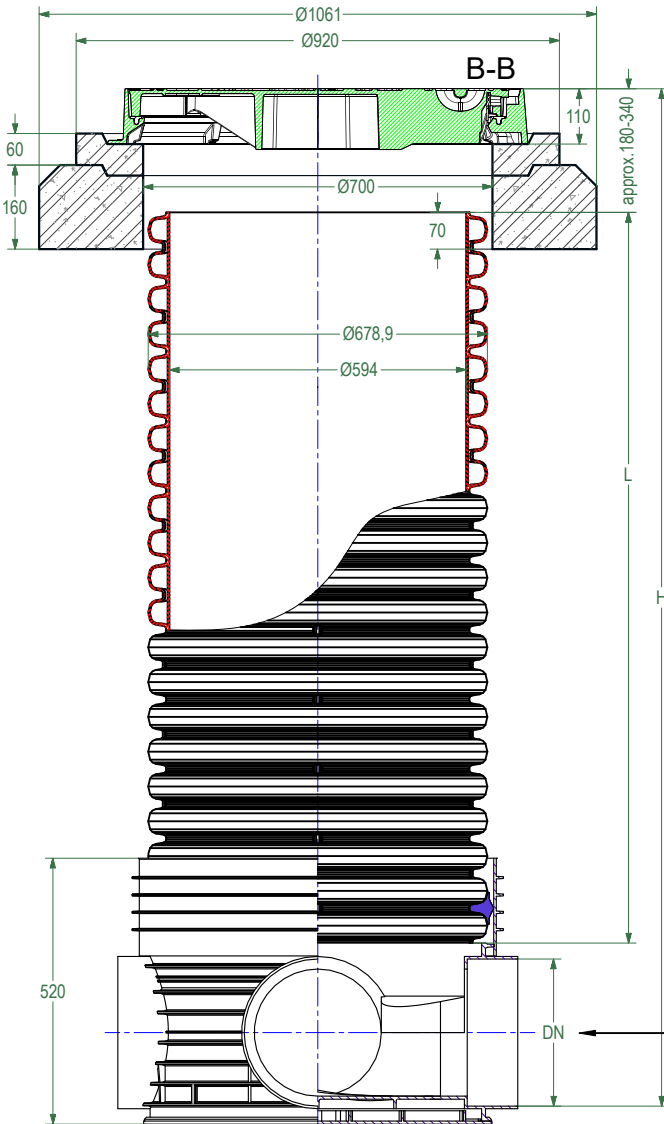
CSL ID600.DN700.D400.S.3BL



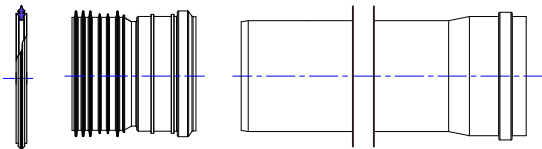
CLASS D400, EN 124-2, RAL-GZ692



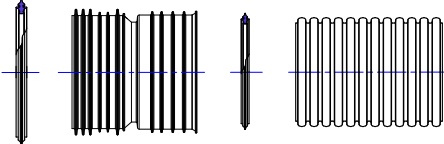
OUT0° / IN90° / IN180° / IN270°
DN160, 200, 250, 315 mm



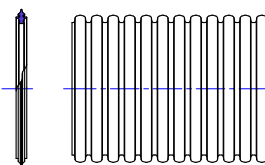
PP DN/OD, EN 13476-2, EN 1852-1, EN 14758-1



PP DN/OD, EN 13476-3



PP DN/ID, EN 13476-3



This drawing is not suitable for the design and construction of other objects without the consent of SIA "EVOPIPES"



SIA "EVOPIPES"
Langervaldes str. 2a, Jelgava, LV-3002, Latvia
Company reg. No.: 50003728871
Phone: +371 63094300
E-mail: info@evopipes.lv
Website: www.evopipes.lv

FILE NAME:
CSL ID600.DN700.D400.S.3BL

SHEET: 1 OF 1

SHEET FORMAT: @A4

SCALE:
NOT TO SCALE

STAGE:
STANDARD DRAWING