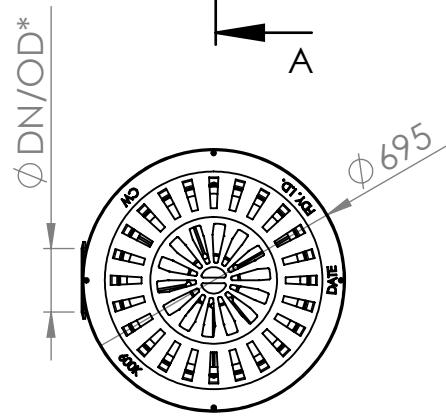



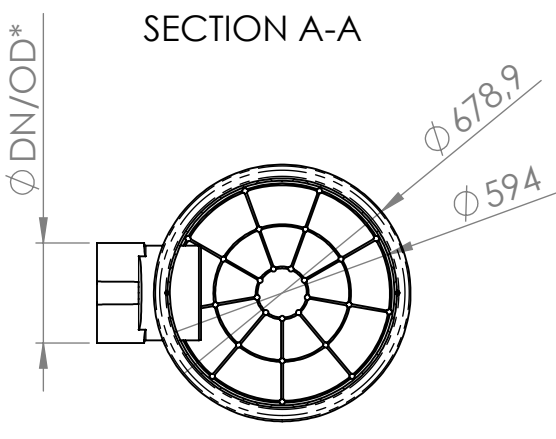
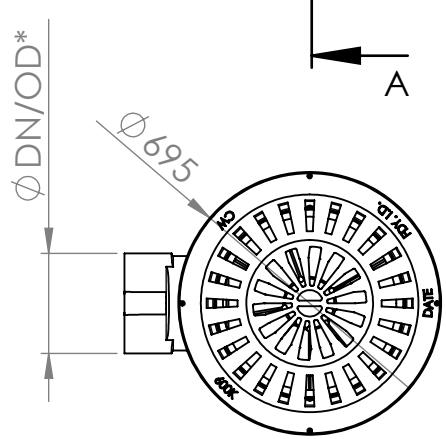
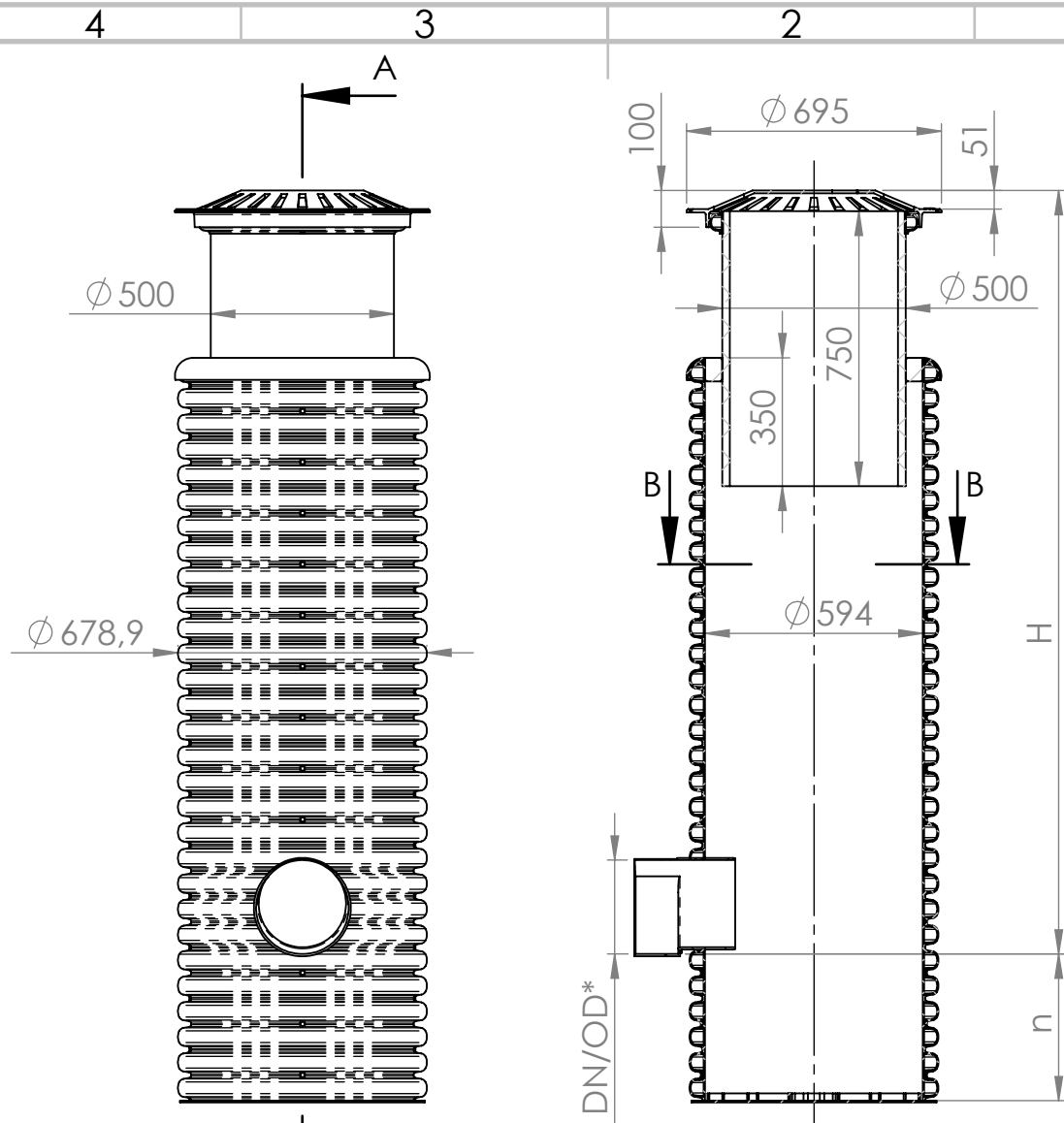
SECTION A-A



SECTION B-B

* Connection seal for corrugated pipe DN/OD 160, 200 mm (EN 13476-3) or smooth pipe DN/OD - 110, 160, 200 mm (EN 13476-2, EN 1852-1, EN 14758-1).


DRAWN	SIGNATURE	DATE	FORMAT A4	SCALE	 Langervaldes iela 2a, Jelgava, LV-3002, Latvia, Reg. No.: 50003728871	Phone: +371 63094300 E-mail: info@evopipes.lv Web: www.evopipes.lv
APPROVED BY			ORDER No.	PAGE 1 / 1		
DRAWING No. DN 600.500 Drainage gully				REVISION	With connection seal for smooth or corrugated pipe	
Unless specified otherwise: dimensions are in millimeters do not scale the drawing					This drawing is the property of SIA Evopipes and is protected by a law. This document must not be copied or disclosed to third parties without permission.	

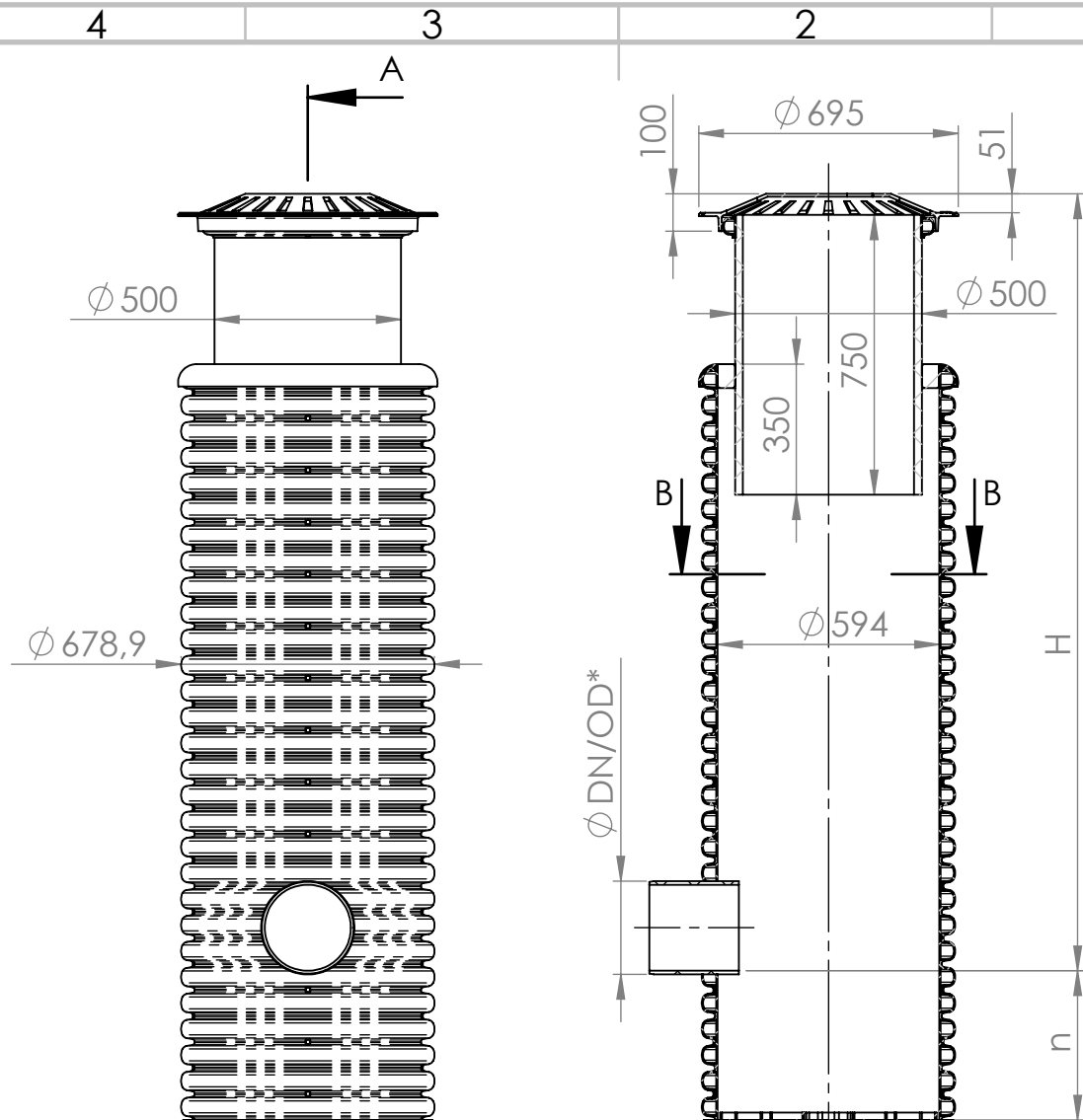


SECTION A-A

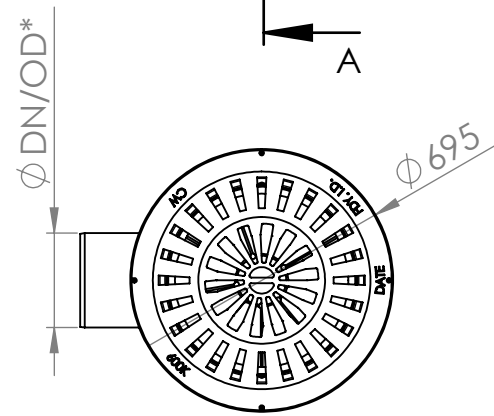
SECTION B-B

* Connection for corrugated drainage pipe (EN 13476-3) DN/OD - 160, 200, 250, 315, 400 mm

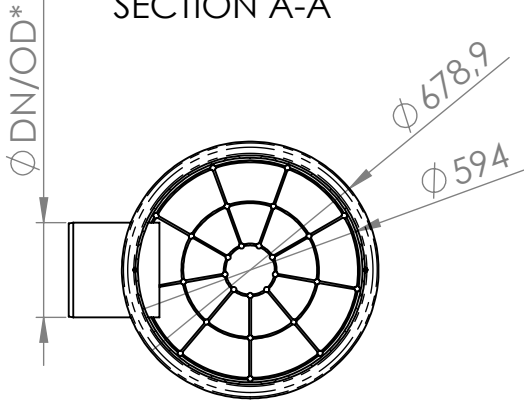
DRAWN	SIGNATURE	DATE	FORMAT A4	SCALE	 Langervaldes iela 2a, Jelgava, LV-3002, Latvia, Reg. No.: 50003728871	Phone: +371 63094300 E-mail: info@evopipes.lv Web: www.evopipes.lv
APPROVED BY			ORDER No.	PAGE 1 / 1		
DRAWING No. DN 600.500 Drainage gully				REVISION	For connection with corrugated pipe	
Unless specified otherwise: dimensions are in millimeters do not scale the drawing					This drawing is the property of SIA Evopipes and is protected by a law. This document must not be copied or disclosed to third parties without permission.	




SECTION A-A



SECTION B-B



* Connection for smooth pipe DN/OD - 110, 160, 200, 250, 315, 400 mm (EN 13476-2, EN 1852-1, EN 14758-1).

DRAWN	SIGNATURE	DATE	FORMAT A4	SCALE	 Langervaldes iela 2a, Jelgava, LV-3002, Latvia, Reg. No.: 50003728871	Phone: +371 63094300 E-mail: info@evopipes.lv Web: www.evopipes.lv
APPROVED BY			ORDER No.	PAGE 1 / 1		
DRAWING No. DN 600.500 Drainage gully				REVISION	For connection with smooth pipe	
Unless specified otherwise: dimensions are in millimeters do not scale the drawing					This drawing is the property of SIA Evopipes and is protected by a law. This document must not be copied or disclosed to third parties without permission.	