

# TECHNICAL DATA SHEET

## ULTRASTRESS PROTECT GAS TRACER HDPE (type PE100-RC) gas supply pressure pipes with integrated signal wire

According to PAS 1075 Type 3  
Conforms to: EN 1555-2

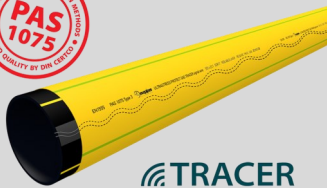


DN/OD 32-63 mm	P1R0571	SDR 11
DN/OD 75-225 mm	P1R0574	SDR 17
DN/OD 250-630 mm	P1R0577	

### PRODUCT DESCRIPTION

ULTRASTRESS PROTECT GAS TRACER gas supply pressure pipes made from PE100-RC material with integrated signal wires and added polypropylene (PP) protective layer. PE100-RC/PP material pipes are resistant to long term expansion of cracks, scratching and point type loads which are especially common during assembly of the pipelines using trenchless installation methods (for instance, as a result of friction against the stones that are present in the soil). PE100-RC pipes with PP layer provide additional durability against scratching in cases of especially complex installation, e.g. installation in an old pipe.

Material: High density crack resistant polyethylene PE100-RC with polypropylene (PP) layer. Core pipe is black with 4 orange stripes and outer layer is yellow with 4 green stripes. Pipes are manufactured according to: EN 12201-2, PAS 1075 specifications.



### APPLICATION AREA

ULTRASTRESS GAS PROTECT pipes are designed for gas supply systems, with recommended installation methods of pulling in the site of the old pipe with or without the destruction of the old pipe according to EN 12889, EN 14457.

### PRODUCT DIMENSIONS

Core pipe dimensions conform to EN 1555-2 specifications. Core pipe maximum operating pressure according to EN1555-2 (with C=2,0 at temperature 20 °C) MOP 10 bar for SDR 11 pipe.

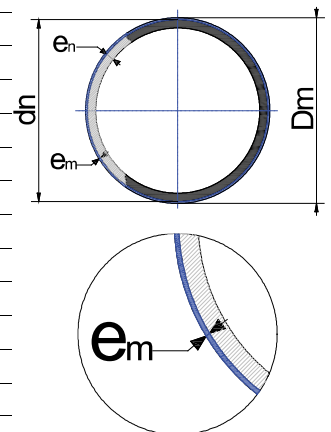
#### PE100-RC / PP

According to PAS 1075:

#### Type 3

#### Open product

Core pipe dimensions	PP layer	Main dimensions	Length
$d_n \times e_n$ , mm	$e_m$ , mm ( $\pm 10\%$ )	$D_m$ , mm	L, m
<b>SDR 11</b>			
32 x 3,0	~0,9	33,8	100-2000
40 x 3,7	~1,0	42	100-1000
63 x 5,8	~1,0	65	100-600
90 x 8,2	~1,5	93	100-200
110 x 10,0	~1,8	113,6	12 /13,4 /20 /50
125 x 11,4	~2,0	129	12 /13,4 /20
160 x 14,6	~2,0	164	12 /13,4 /20
200 x 18,2	~2,0	204	12 /13,4 /20
225 x 20,5	~3,0	231	12 /13,4 /20
250 x 22,7	~3,0	256	12 /13,4 /20
280 x 25,4	~3,0	286	12 /13,4 /20
315 x 28,6	~3,0	321	12 /13,4 /20
355 x 32,2	~4,0	363	12 /13,4 /20
400 x 36,3	~4,0	408	12 /13,4 /20
450 x 40,9	~4,0	458	12 /13,4 /20
500 x 45,4	~4,0	508	12 /13,4 /20
560 x 50,8	~5,0	570	12 /13,4 /20
630 x 57,2	~5,0	640	12 /13,4 /20



# TECHNICAL DATA SHEET

**ULTRASTRESS PROTECT GAS TRACER**  
HDPE (type PE100-RC) gas supply pressure pipes with integrated signal wire

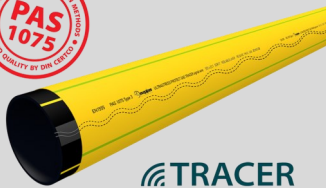
According to PAS 1075 Type 3  
Conforms to: EN 1555-2



DN/OD 32-63 mm P1R0571 SDR 11  
DN/OD 75-225 mm P1R0574 SDR 17  
DN/OD 250-630 mm P1R0577 SDR 17

## PRODUCT PARAMETERS

Parameter	Value	Test method
Material	Core pipe: PE100-RC Outer layer: PP	PAS 1075
Hydrostatic pressure resistance (80 °C, 5 MPa)	>1000 h	EN ISO 1167-1 EN ISO 1167-2
Tensile elongation	>350%	EN ISO 6259-1
Resistance to crack growth (80 °C, 4 N/MPa, 2% Arkopal N-100)	>8760 h	ISO 16770
Resistance to slow crack growth (80 °C, 9.2 bar)	>8760 h	EN ISO 13479
Mass flow rate MFR (5 kg, 190 °C, 10 min)	0.25 ± 20%	EN ISO 1133
Oxidation induction time (200 °C)	≥20% min	ISO 11357-6
Longitudinal reversion (e <sub>r</sub> ≤ 16 mm, 110 °C)	≤3%	EN ISO 2505
Chemical resistance	pH 2 ≥ pH ≥ pH 12	ISO/TR 10358



## PRODUCT MARKING

**PE100-RC / PP**

According to PAS 1075:

**Type 3**

**Open product**

### Protective layer marking

Aspect	Marking
Standard number	EN 1555
Material requirements and type	PAS 1075 Type 3
Manufacturers information	EVOPIPES
Product identification	ULTRASTRESS PROTECT TRACER
Signal wire resistivity	3.6 Ω x m
Core pipe dimensions (diameter x wall thickness)	e.g. 110 x 10,0
SDR series	e.g. SDR 11
Extrusion type	PEELABLE PP LAYER
Material	PE100-RC
Intended application (GAS-gas supply)	GAS
Date of production	date
QA organization signature	Nordic Poly Mark, DIN CERTO

### Core pipe marking

Standard number	EN 1555
Material requirements and type	PAS 1075 Type 1
Manufacturers information	EVOPIPES
Dimensions (diameter x wall thickness)	e.g. 110 x 10,0
SDR series	e.g. SDR 11
Material	PE100-RC
Signal wire system	signal wire resistivity 3,6 Ω X m
Intended application (GAS-gas supply)	GAS
Date of production (dd/mm/yy)	date
QA organization signature	Nordic Poly Mark, DIN CERTO