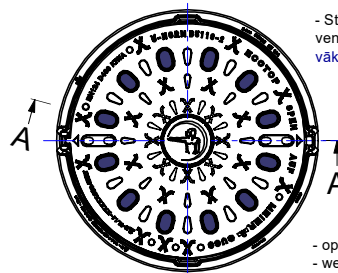
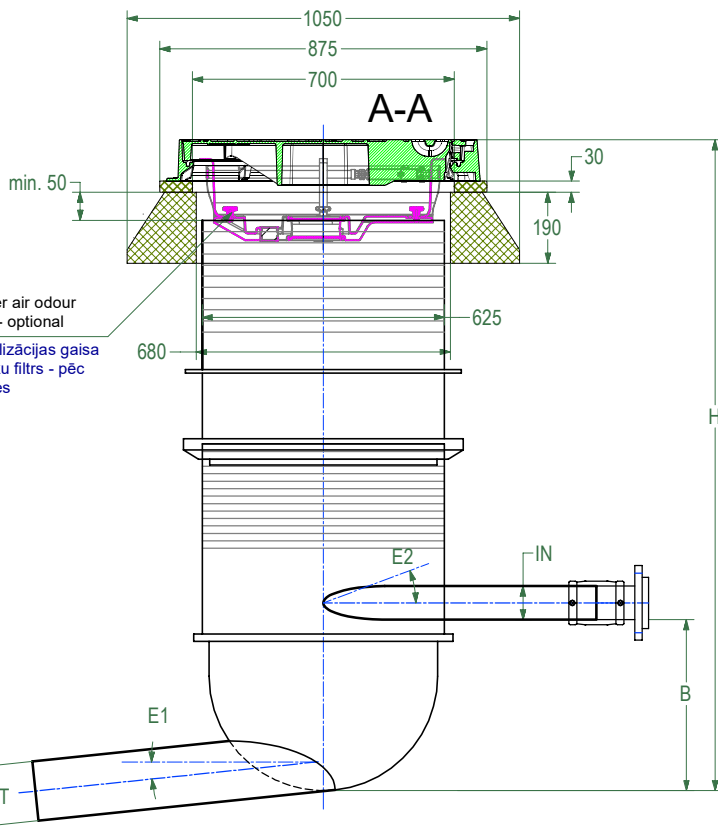


DRAWING No.:	VERSION	REVISION	REVISION STATUS
ECC DN625.D400.RAL-GZ692.S	EN	1	ACTUAL

# ECC DN625.D400.RAL-GZ692.S

Class D400 (EN 124-2), RAL-GZ692

Klase D400 (LVS EN 124-2), RAL-GZ692

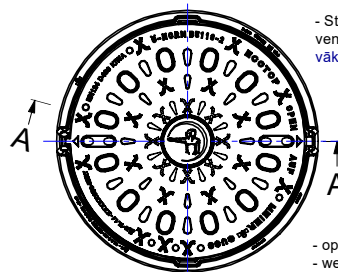


- Stationary type cover with ventilation holes / Stacionāra tipa vāks ar ventilācijas atverēm

- opening / atvērums: Ø610 mm;  
- weight / svars: 65.5 kg.

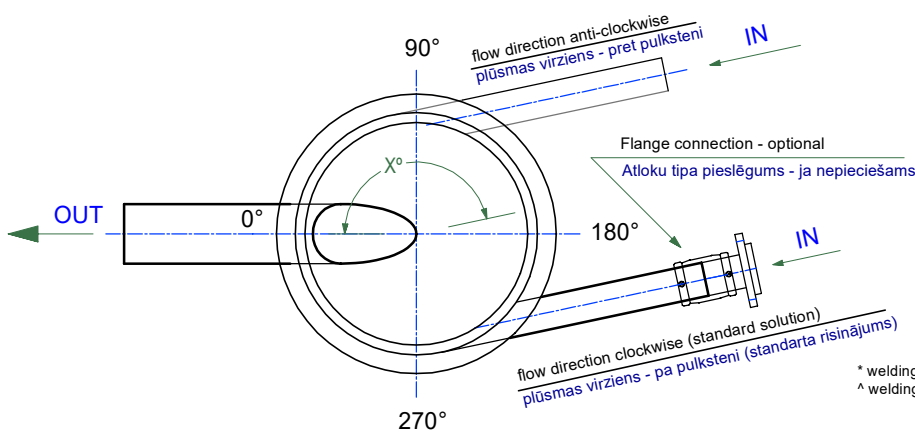
Class D400 (EN 124-2), RAL-GZ692

Klase D400 (LVS EN 124-2), RAL-GZ692



- Stationary type cover without ventilation holes / Stacionāra tipa vāks bez ventilācijas atverēm

- opening / atvērums: Ø610 mm;  
- weight / svars: 65.5 kg.



IN, mm	OUT, mm	B <sub>min</sub> <sup>*</sup> , mm	B <sub>min</sub> <sup>^</sup> , mm
50	160	250	250
63	160	250	250
75	160	250	250
90	160	250	250
110	160	250	250
125	200	450	300
140	200	450	300
160	200	450	300

\* welding is done above the rib / metināšana tiek veikta virs sprinājuma ribas

<sup>^</sup> welding is done also on the rib / metināšanu var veikt arī uz stiprinājuma ribas

If sewer odour filter is used cover must be with ventilation openings holes!

Ja tiek uzstādīts kanalizācijas gaisa smaku filtrs tad lūkas pārsedzei ir jābūt ar ventilācijas atverēm!

Sewer air odour filter:

- Filter type A: FIS-0600(0.6kg), V<sub>Luf</sub>=0.3 m<sup>3</sup>/h
- Filter type B: DES-ACF-0600(10kg), V<sub>Luf</sub>=5.0 m<sup>3</sup>/h
- Filter type C: DES-ACF-0600(20kg), V<sub>Luf</sub>=10.0 m<sup>3</sup>/h

Kanalizācijas gaisa smaku filtrs:

- Filtra tips A: FIS-0600(0.6kg), V<sub>Gaiss</sub>=0.3 m<sup>3</sup>/h
- Filtra tips B: DES-ACF-0600(10kg), V<sub>Gaiss</sub>=5.0 m<sup>3</sup>/h
- Filtra tips C: DES-ACF-0600(20kg), V<sub>Gaiss</sub>=10.0 m<sup>3</sup>/h

IN, mm	Filter type / Filtra tips
50	A
63	A
75	A or / vai B
90	A or / vai B
110	B or / vai C
125	B or / vai C
140	C
160	C

This drawing is not suitable for the design and construction of other objects without the consent of SIA "EVOPIPES"



SIA "EVOPIPES"  
Langervaldes str. 2a, Jelgava, LV-3002, Latvia  
Company reg. No.: 50003728871  
Phone: +371 63094300  
E-mail: [info@evopipes.lv](mailto:info@evopipes.lv)  
Website: [www.evopipes.lv](http://www.evopipes.lv)

FILE NAME:  
ECC DN625.D400.RAL-GZ692.S

SHEET: 1 OF 1

SHEET FORMAT: @ A4

SCALE:  
NOT TO SCALE

STAGE:  
STANDARD DRAWING