



ELECTROFUSION ELBOW 90°

SDR 11



water
16 bar



gas
10 bar



hydrogen
10 bar



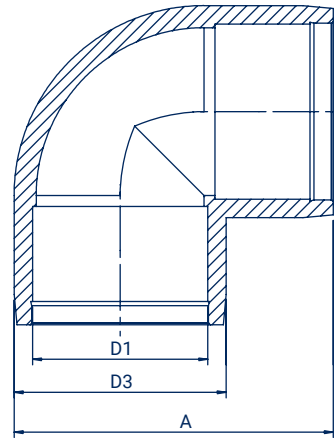
PE 100-RC
material



MRS 10 MPa



center
stop



Size D1 (mm)	Code	A (mm)	D3 (mm)	Weight (kg)	Packing
20	KE9002011	79	34	0,05	200
25	KE9002511	80	35	0,05	150
32	KE9003211	83	43	0,07	120
40	KE9004011	94	52	0,11	80
50	KE9005011	105	62	0,17	50
63	KE9006311	126	80	0,28	30
75	KE9007511	159	95	0,50	15
90	KE9009011	178	112	0,77	10
110	KE9011011	200	135	1,10	8
125	KE9012511	226	151	1,55	10
140	KE9014011	245	170	2,01	6
160	KE9016011	275	194	3,01	4