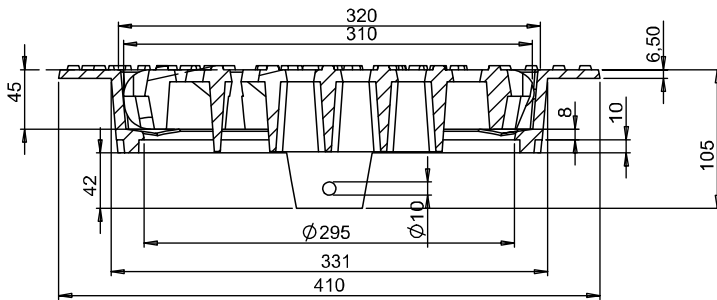
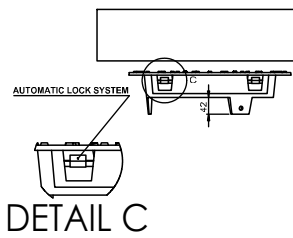


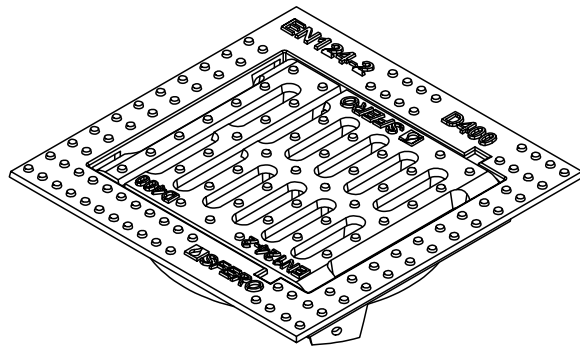
B-B




A-A



DETAIL C



DRAWN	SIGNATURE	DATE	FORMAT A4	SCALE	 evopipes <small>PART OF RABUS GROUP</small>	Langervaldes iela 2a, Jelgava, LV-3002, Latvia, Reg. No.: 50003728871	Phone: +371 63094300 E-mail: info@evopipes.lv Web: www.evopipes.lv
APPROVED BY			ORDER No.	PAGE 1 / 1		PRODUCT Grate 410x410, D400	
DRAWING No.				REVISION 1	CUSTOMER		

Unless specified otherwise:
dimensions are in millimeters
do not scale the drawing

Šis rasējums ir SIA "Evopipes" intelektuālais īpašums.
This drawing is the property of SIA Evopipes and is protected by a law.