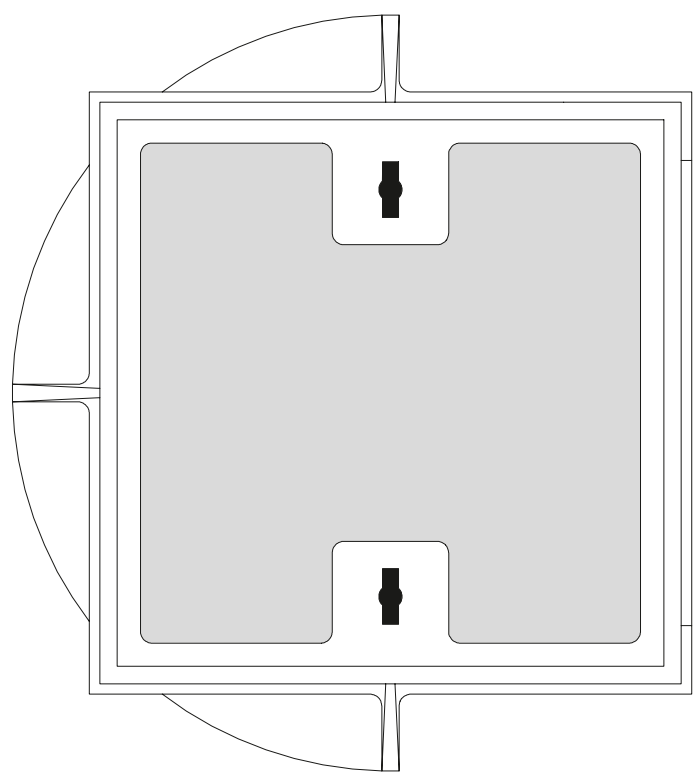
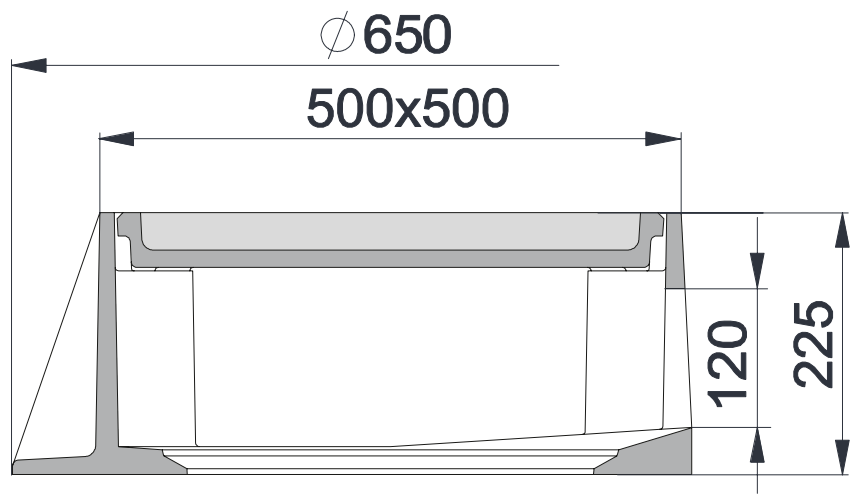


DRAWING No.:	VERSION	REVISION	REVISION STATUS
Borta gultijas parsedze	EN	1	ACTUAL



## Onboard gully cover 500 x 500 mm

- Conformity: EN124-2, RAL-GZ692
- Construction class: C250
- Material: cast iron / concrete
- Weight: 136 kg
- Equipment:
  - inlet corss-section area: 465 cm<sup>2</sup>
  - option to mount debris bucket



SIA "EVOPIPES"  
Langervaldes str. 2a, Jelgava, LV-3002, Latvia  
Company reg. No.: 50003728871  
Phone: +371 63094300  
E-mail: [info@evopipes.lv](mailto:info@evopipes.lv)  
Website: [www.evopipes.lv](http://www.evopipes.lv)

FILE NAME: Borta gultijas parsedze.dwg		SCALE: WITHOUT SCALE
SHEET: 1 OF 1	SHEET FORMAT: @ A4	STAGE: STANDARD DRAWING