



BRANCH SADDLE VLS TYPE

SDR 11



water
16 bar



gas
10 bar



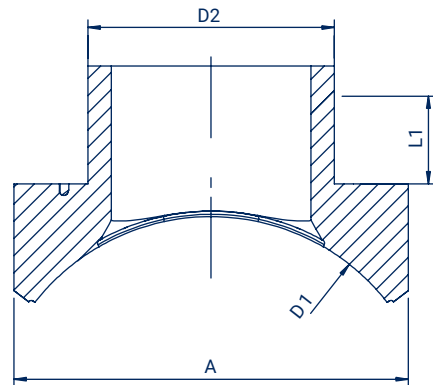
hydrogen
10 bar



PE 100-RC
material



MRS 10 MPa



Size D1/D2 (mm)	Code	A (mm)	L1 (mm)	Weight (kg)	Packing
315/225	OE31522511	370	200	6,46	1
355/225	OE35522511	370	200	6,46	1
400/225	OE40022511	370	200	7,48	1
450/225	OE45022511	370	200	6,46	1
500/225	OE50022511	370	200	6,46	1
560/225	OE56022511	370	200	6,46	1
630/225	OE63022511	370	200	7,25	1
710/225	OE71022511	370	200	6,65	1
800/225	OE80022511	374	200	7,52	1
900/225	OE90022511	374	200	7,52	1
1000/225	OE91022511	374	200	7,52	1

More sizes available on request



FOXGRIP^L

CLAMPING TOOL

Code FSGRIPL

